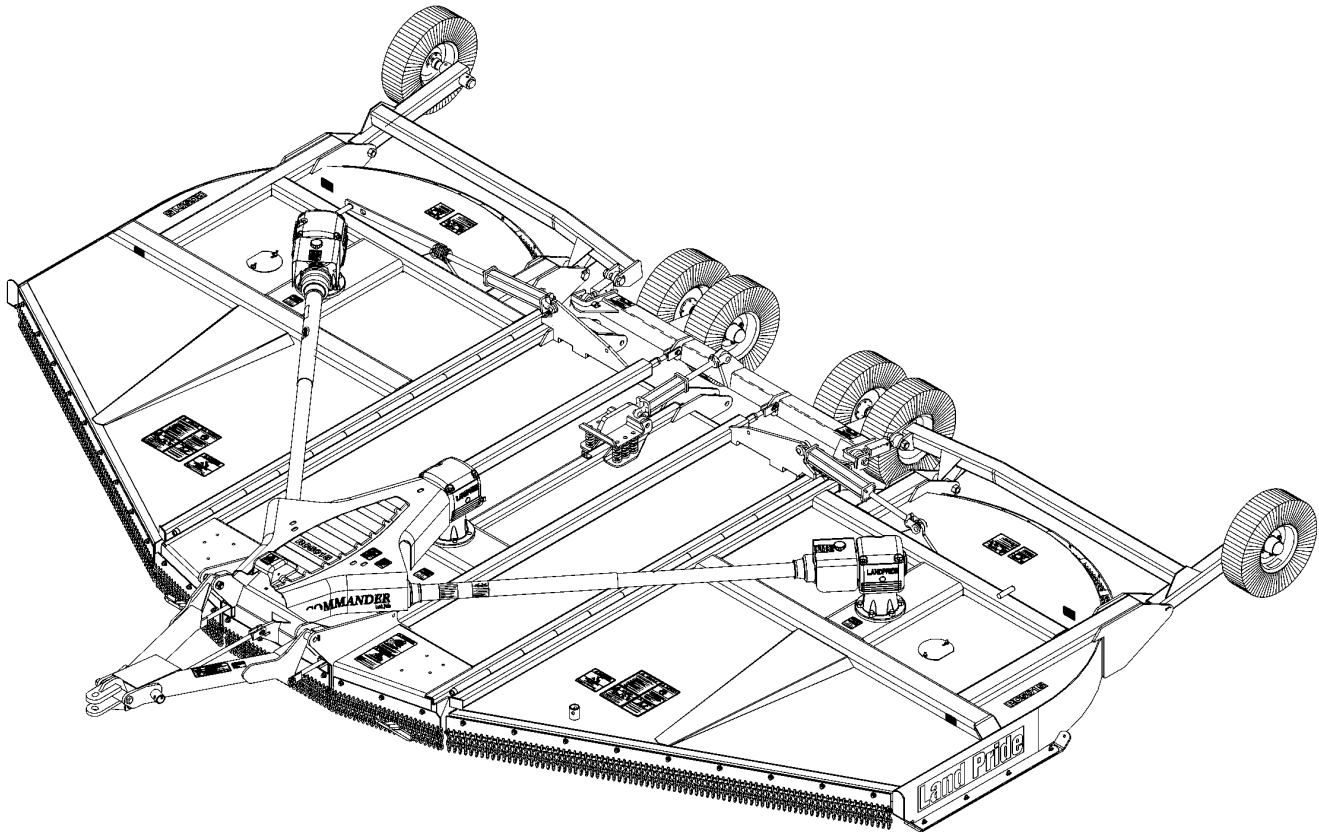


# Rotary Cutters

## RC5020 & RCM5020



22113

### 318-474P Parts Manual



Read the Operator's manual entirely. When you see this symbol, the subsequent instructions and warnings are serious - follow without exception. Your life and the lives of others depend on it!

© Copyright 2008 Printed 09/03/08

Cover photo may show optional equipment not supplied with standard unit.





# Table of Contents

<b>Section 1: Introduction.....6</b>	Driveline Slip Clutch (394582) Walterscheid.....74
Using This Manual.....6	Driveline Wing (826-342C) Walterscheid.....76
Manual Replacement Information.....6	Driveline Wing (826-494C) Comer.....78
Manual Revisions.....6	<b>Section 5: Drive Lines (540 RPM).....80</b>
Touch-up Paint.....6	Driveline Center (826-495C) Comer.....80
Hardware Legend.....7	Driveline Center 540 RPM (826-422C) Walterscheid.....82
Replacement Hardware.....7	Driveline Conv. 540 RPM (826-112C) Walterscheid.....84
Serial Numbers.....7	Driveline CV 540 RPM (826-117C) Walterscheid (S/N
Part Number Service Coding.....7	468557-).....86
<b>Section 2: Decks.....8</b>	Driveline CV 540 RPM (826-476C) Comer (S/N 468558 to
Blade Carrier (CTR & LH / CCW Rotation Shown) S/N	547835).....88
509995-.....8	Driveline Slip Clutch (146.264.024.1) Comer.....90
Blade Carrier (CTR & LH / CCW Rotation Shown) S/N	Driveline Slip Clutch (146.284.020.1) Comer.....92
509996+.....10	Driveline Slip Clutch (383805) Walterscheid.....94
Deck Center Section (1000 RPM).....12	Driveline Wing (826-342C) Walterscheid.....96
Deck Center Section (540 RPM).....16	Driveline Wing (826-494C) Comer.....98
Deck Wing Section (1000 RPM) (Left Hand Shown).....20	<b>Section 6: Gearboxes (1000 RPM).....100</b>
Deck Wing Section (540 RPM) (Left Hand Shown).....24	Gearbox 1000 RPM (826-323C) Comer.....100
Hitch Pintle.....26	Gearbox 1000 RPM (826-323C) Eurocardan.....102
Hitch Standard.....28	Gearbox 1000 RPM (826-363C) Comer.....104
Leveling Rod Components.....30	Gearbox 1000 RPM (826-363C) Eurocardan.....106
Wing Turnbuckle and Transport Bar.....32	Gearbox 1000 RPM (826-471C) Comer.....108
<b>Section 3: Axles.....34</b>	Gearbox 1000 RPM (826-472C) Comer.....110
Axle Center Dual (S/N 488968-).....34	Gearbox Divider 1000 RPM (826-180C) Comer.....112
Axle Center Dual (S/N 488969+).....36	Gearbox Divider 1000 RPM (826-180C) OMNI.....114
Axle Wing (S/N 488968-).....38	Gearbox Divider 1000 RPM (826-521C) Comer.....116
Axle Wing (S/N 488969+).....40	Gearbox Divider 1000 RPM (826-521C) ITG.....118
<b>Section 4: Guards.....42</b>	Gearbox Divider 1000 RPM (826-521C) Omni.....120
Chain Guard, Complete Front Double Row (318-482A)....42	<b>Section 6: Gearboxes (540 RPM).....122</b>
Chain Guard, Complete Front Single Row (318-439A)....44	Gearbox 540 & 1000 RPM (826-322C) Comer.....122
Chain Guard, Complete Rear Double Row (318-484A)....46	Gearbox 540 & 1000 RPM (826-324C) Eurocardan.....124
Chain Guard, Complete Rear Single Row (318-440A)....48	Gearbox 540 RPM (826-320C) Comer.....126
Guards Rubber Front (318-481A).....50	Gearbox 540 RPM (826-320C) Eurocardan.....128
Guards Rubber Rear (318-483A).....52	Gearbox 540 RPM (826-322C) Eurocardan.....130
<b>Section 5: Drive Lines (1000 RPM).....54</b>	Gearbox 540 RPM (826-324C) Comer.....132
Driveline Center (826-495C) Comer.....54	Gearbox Divider 540 RPM (826-179C) Comer.....134
Driveline Center 1000 RPM (826-423C) Walterscheid.....56	Gearbox Divider 540 RPM (826-179C) Omni.....136
Driveline Conv. 1000 RPM (826-247C) Walterscheid.....58	Gearbox Divider 540 RPM (826-520C) Comer.....138
Driveline CV 1000 RPM (826-244C) Walterscheid (S/N	Gearbox Divider 540 RPM (826-520C) ITG.....140
468225-).....60	Gearbox Divider 540 RPM (826-520C) Omni.....142
Driveline CV 1000 RPM (826-245C) Walterscheid (S/N	<b>Section 7: Hydraulics.....144</b>
488896-).....62	Hydraulic Center Lift.....144
Driveline CV 1000 RPM (826-477C) 1 3/8-21 Comer (S/N	Hydraulic Cylinder Center Deck (810-107C) Midway.....146
468226 to 547835).....64	Hydraulic Cylinder Wing Deck (810-362C) Cross.....148
Driveline CV 1000 RPM (826-499C) 1 3/4-20 Comer (S/N	Hydraulic Cylinder Wing Deck (810-362C) Midway.....150
488897+).....66	Hydraulic Wing Lift.....152
Driveline Slip Clutch (146.264.024.1) Comer.....68	<b>Section 8: Labels.....154</b>
Driveline Slip Clutch (146.284.020.1) Comer.....70	Label Placement.....154
Driveline Slip Clutch (383805) Walterscheid.....72	

© Copyright 2008. All rights reserved.

Land Pride provides this publication "as is" without warranty of any kind, either expressed or implied. While every precaution has been taken in the preparation of this manual, Land Pride assumes no responsibility for errors or omissions. Neither is any liability assumed for damages resulting from the use of the information contained herein. Land Pride reserves the right to revise and improve its products as it sees fit. This publication describes the state of this product at the time of its publication, and may not reflect the product in the future. The illustrations in this manual are not intended for safe and proper assembly or disassembly of equipment. The illustrations are intended for ordering parts only.

Land Pride is registered trademark.

All other brands and product names are trademarks or registered trademarks of their respective holders.

Printed in the United States of America.



## Table of Contents (continued)

---

<b>Section 9: Options.....</b>	<b>156</b>
Shredder Kit Comer.....	156
<b>Part Number Index.....</b>	<b>158</b>



# Alphabetized Table of Contents

<b>A</b>	Axle Center Dual (S/N 488968-).....34	Gearbox 1000 RPM (826-363C) Eurocardan.....106
	Axle Center Dual (S/N 488969+).....36	Gearbox 1000 RPM (826-471C) Comer.....108
	Axle Wing (S/N 488968-).....38	Gearbox 1000 RPM (826-472C) Comer.....110
	Axle Wing (S/N 488969+).....40	Gearbox 540 & 1000 RPM (826-322C) Comer.....122
<b>B</b>		Gearbox 540 & 1000 RPM (826-324C) Eurocardan.....124
	Blade Carrier (CTR & LH / CCW Rotation Shown) S/N	Gearbox 540 RPM (826-320C) Comer.....126
	509995-.....8	Gearbox 540 RPM (826-320C) Eurocardan.....128
	Blade Carrier (CTR & LH / CCW Rotation Shown) S/N	Gearbox 540 RPM (826-322C) Eurocardan.....130
	509996+.....10	Gearbox 540 RPM (826-324C) Comer.....132
<b>C</b>		Gearbox Divider 1000 RPM (826-180C) Comer.....112
	Chain Guard, Complete Front Double Row (318-482A).....42	Gearbox Divider 1000 RPM (826-180C) OMNI.....114
	Chain Guard, Complete Front Single Row (318-439A).....44	Gearbox Divider 1000 RPM (826-521C) Comer.....116
	Chain Guard, Complete Rear Double Row (318-484A).....46	Gearbox Divider 1000 RPM (826-521C) ITG.....118
	Chain Guard, Complete Rear Single Row (318-440A).....48	Gearbox Divider 1000 RPM (826-521C) Omni.....120
<b>D</b>		Gearbox Divider 540 RPM (826-179C) Comer.....134
	Deck Center Section (1000 RPM).....12	Gearbox Divider 540 RPM (826-179C) Omni.....136
	Deck Center Section (540 RPM).....16	Gearbox Divider 540 RPM (826-520C) Comer.....138
	Deck Wing Section (1000 RPM) (Left Hand Shown).....20	Gearbox Divider 540 RPM (826-520C) ITG.....140
	Deck Wing Section (540 RPM) (Left Hand Shown).....24	Gearbox Divider 540 RPM (826-520C) Omni.....142
	Driveline Center (826-495C) Comer.....54	Guards Rubber Front (318-481A).....50
	Driveline Center (826-495C) Comer.....80	Guards Rubber Rear (318-483A).....52
	Driveline Center 1000 RPM (826-423C) Walterscheid.....56	<b>H</b>
	Driveline Center 540 RPM (826-422C) Walterscheid.....82	Hitch Pintle.....26
	Driveline Conv. 1000 RPM (826-247C) Walterscheid.....58	Hitch Standard.....28
	Driveline Conv. 540 RPM (826-112C) Walterscheid.....84	Hydraulic Center Lift.....144
	Driveline CV 1000 RPM (826-244C) Walterscheid (S/N	Hydraulic Cylinder Center Deck (810-107C) Midway.....146
	468225-).....60	Hydraulic Cylinder Wing Deck (810-362C) Cross.....148
	Driveline CV 1000 RPM (826-245C) Walterscheid (S/N	Hydraulic Cylinder Wing Deck (810-362C) Midway.....150
	488896-).....62	Hydraulic Wing Lift.....152
	Driveline CV 1000 RPM (826-477C) 1 3/8-21 Comer (S/N	<b>L</b>
	468226 to 547835).....64	Label Placement.....154
	Driveline CV 1000 RPM (826-499C) 1 3/4-20 Comer (S/N	Leveling Rod Components.....30
	488897+).....66	<b>S</b>
	Driveline CV 540 RPM (826-117C) Walterscheid (S/N	Shredder Kit Comer.....156
	468557-).....86	<b>W</b>
	Driveline CV 540 RPM (826-476C) Comer (S/N 468558 to	Wing Turnbuckle and Transport Bar.....32
	547835).....88	
	Driveline Slip Clutch (146.264.024.1) Comer.....68	
	Driveline Slip Clutch (146.264.024.1) Comer.....90	
	Driveline Slip Clutch (146.284.020.1) Comer.....70	
	Driveline Slip Clutch (146.284.020.1) Comer.....92	
	Driveline Slip Clutch (383805) Walterscheid.....72	
	Driveline Slip Clutch (383805) Walterscheid.....94	
	Driveline Slip Clutch (394582) Walterscheid.....74	
	Driveline Wing (826-342C) Walterscheid.....76	
	Driveline Wing (826-342C) Walterscheid.....96	
	Driveline Wing (826-494C) Comer.....78	
	Driveline Wing (826-494C) Comer.....98	
<b>G</b>		
	Gearbox 1000 RPM (826-323C) Comer.....100	
	Gearbox 1000 RPM (826-323C) Eurocardan.....102	
	Gearbox 1000 RPM (826-363C) Comer.....104	

***This Page Intentionally Left Blank***

# General Information

## Using This Manual

This manual is divided into sections. The first section contains General Information. The remaining sections divide the machine into segments (i.e. Frames, Drives, Hydraulics, etc.) which illustrate and list all parts. A Parts Number Index is located at the back of the book.

The Land Pride parts in this manual are specially designed for this machine and should be replaced with Land Pride parts only.

The information in this manual is current at time of printing. Some parts may change to assure top performance.

Right-hand and left-hand as used in this manual are determined by facing the direction the machine will travel while in use.

Below is an example of two facing pages from a parts manual. Familiarize yourself with the type of information contained on these pages.

## Manual Replacement Information

Replacement manuals are available. Refer to our website at [www.landpride.com](http://www.landpride.com) or e-mail us at [lit@landpride.com](mailto:lit@landpride.com) for additional information. Our website continues to provide the most up-to-date manuals available.

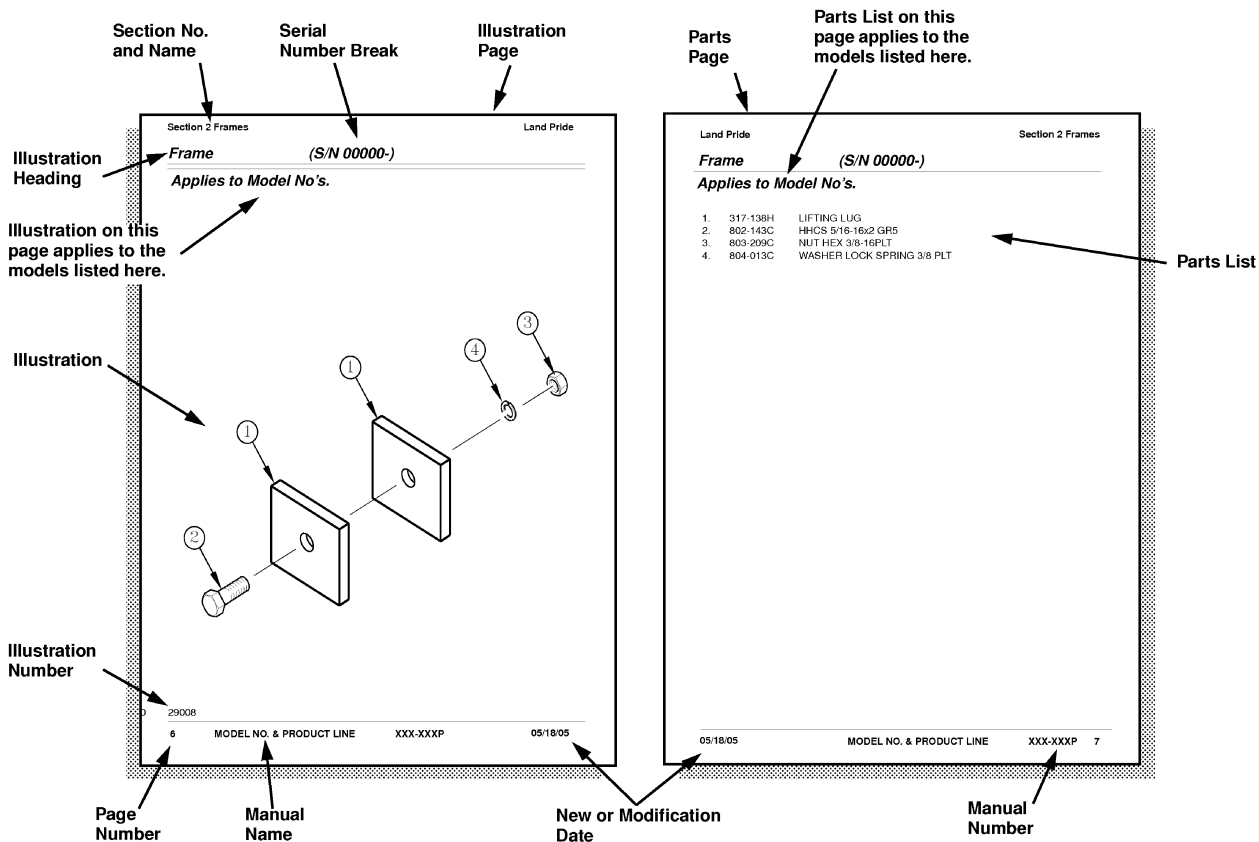
## Touch-up Paint

Repaint parts where paint is worn or scratched to prevent rust. Aerosol cans and touch-up bottles with brush applicator are available through your local dealer. Land Pride color descriptions and part numbers are listed below. Also available are quart and gallon size paints. Add QT or GL to end of the Aerosol P/N.

Color	Product <sup>1</sup>	Aerosol	Touch-Up
Gloss Black	LP	821-032C	821-032CTU
Medium Gloss Black	UV	821-053C	821-053CTU
Beige	LP	821-011C	821-011CTU
Green	SLP	821-058C	821-058CTU
Orange	SLP	821-066C	821-066CTU
Red	SLP/UV	821-054C	821-054CTU
Blue	SLP/UV	821-067C	821-067CTU
Dark Green Sparkle	UV	821-055C	821-055CTU
Gondo Forest Green	UV	821-057C	821-057CTU
Brite Yellow <sup>2</sup>	UV	821-056C	821-056CTU
Gondo Yellow <sup>3</sup>	UV	821-059C	821-059CTU

Notes:

- LP = All Land Pride Products except Utility Vehicles  
SLP = Select Land Pride Products that are available in optional Green, Orange, Red, & Blue colors.  
UV = Utility Vehicles
- Used on Trekkers and (Runabouts with S/N 407628-)
- Used on Gondos and (Runabouts with S/N 407629+)





## General Information

### Hardware Legend

<b>AR</b>	As Required
<b>BLADE</b>	Blade Bolt
<b>C</b>	Cap Screw
<b>CP</b>	Cotter Pin
<b>CPHSSS</b>	Cup Point Hex Socket Set Screw
<b>CPSHSS</b>	Cup Point Square Head Set Screw
<b>CPSQHSS</b>	Cup Point Square Head Set Screw
<b>CRFCHMS3</b>	Cross Recess Flat Countersunk Head Machine Screw
<b>CRPHMS</b>	Cross Recess Pan Head Machine Screw
<b>CRPHTFS</b>	Cross Recess Pan Head Thread Forming
<b>CRRHMS</b>	Cross Recess Round Head Machine Screw
<b>CRTHMS</b>	Cross Recess Truss Head Machine Screw
<b>CSNB</b>	Countersunk Square Neck Bolt
<b>FHMS</b>	Flat Head Machine Screw
<b>FTC</b>	Full Thread Cap Screw
<b>H</b>	Hex Nut
<b>HCLN</b>	Hex Center Lock Nut
<b>HFLCS</b>	Hex Flange Lock Cap Screw
<b>HFS</b>	Hex Flange Screw
<b>HFSLN</b>	Hex Flange Serrated Lock Nut
<b>HFSS</b>	Hex Flange Serrated Screw
<b>HHCS</b>	Hex Head Cap Screw or Metric Bolt
<b>HSBHCS</b>	Hex Socket Button Head Cap Screw
<b>HSFCHCS</b>	Hex Socket Flat Countersunk Head Cap Screw
<b>HSHCS</b>	Hex Socket Head Cap Screw
<b>HSSS</b>	Hex Socket Head Screw
<b>HTLN</b>	Hex Top Lock Nut
<b>HWHCS</b>	Hex Washer Head Cap Screw

<b>HWHMS</b>	Hex Washer Head Machine Screw
<b>HXBHCS</b>	Hex Socket Button Head Cap Screw
<b>J</b>	Hex Jam Nut
<b>JIC</b>	37 Degree Tapered Thread
<b>L</b>	Helical Spring Lock Washer
<b>LUG</b>	Lug Bolt
<b>NFC</b>	National Fine Cap Screw
<b>NPSM</b>	National Pipe Straight Mechanical
<b>NPTF</b>	National Pipe Taper Fuel
<b>P</b>	Wide Plain Washer
<b>PHMS</b>	Pan Head Machine Screw
<b>PLOW</b>	Plow Bolt
<b>RHMS</b>	Round Head Machine Screw
<b>RHSNB</b>	Round Head Square Neck Bolt
<b>SCREW LEVELING</b>	Leveling Screw
<b>SCREW THUMB</b>	Thumb Screw
<b>SCREW WELD</b>	Weld Screw
<b>SFCHMS</b>	Slotted Flat Countersunk Head Machine Screw
<b>SFHMS</b>	Slotted Fillister Head Machine Screw
<b>SP</b>	Special
<b>SP SCREW</b>	Special Screw
<b>SQHSS</b>	Square Head Set Screw
<b>SRHMS</b>	Slotted Round Head Machine Screw
<b>SSS</b>	Socket Set Screw
<b>STCS</b>	Self Tapping Cap Screw
<b>STHMS</b>	Slotted Truss Head Machine Screw
<b>WHEEL</b>	Wheel Studs and Hub Long Bolts
<b>WING</b>	Wing Bolt

### Replacement Hardware

The **Hardware Legend** above lists hardware abbreviations used in the parts list. All bolts and nuts are Grade 5 unless otherwise noted. The use of improper grades of hardware can result in personal injury, damage to equipment, or loss of property.

### Colored Replacement Parts

Land Pride offers replacement parts in factory standard colors and also on select models in Green, Orange, Red and Blue. Because of the variety of colors available, special attention must be given to the part number to prevent ordering the wrong replacement part.

A suffix number corresponding to one of the colors below must be added at the end of Land Pride's part number when ordering a replacement part with that color.

**81 . . . . . Green      83 . . . . .Red**  
**82 . . . . . Orange    84 . . . . .Blue**

For example, if you are ordering a replacement part with part number 555-555C and the part you need is red, then add the suffix 83 to the end of the number to make the part number read 555-555C83. Parts ordered without a suffix number will be supplied in factory standard colors.

### Black Replacement Parts

Some parts are factory standard black and some must be special ordered black. If your part is special ordered black, a second part number with the additional suffix number 85 on the end will be available. In this situation you must order that part with the suffix number for it to be black. Parts that are factory standard black will not have the suffix number.

### Part Number Service Coding

Within the parts list some part numbers are coded for revisions and interchangeability. See notations in revision column.

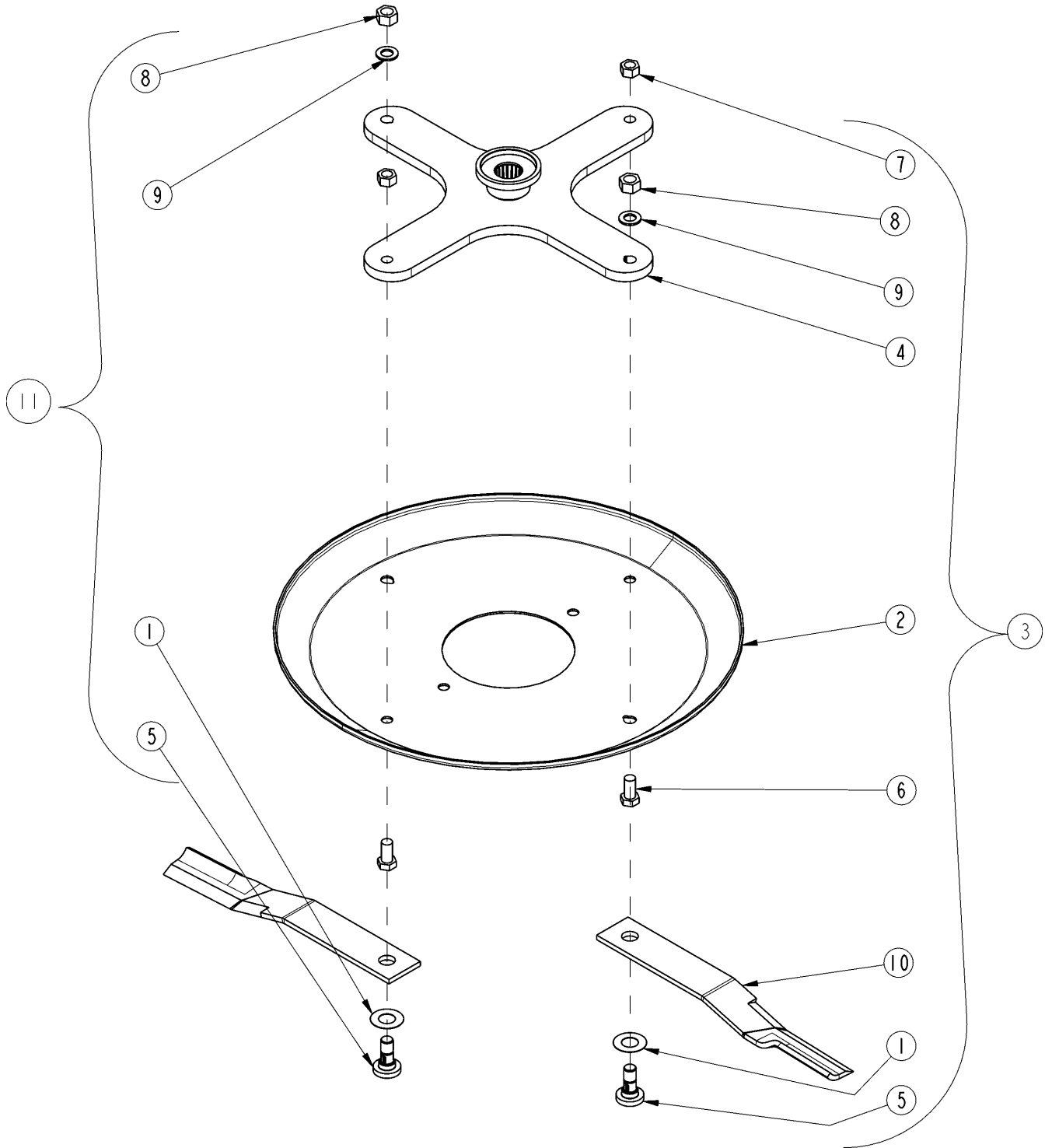
### Serial Numbers

Always use the serial and model number when ordering parts. Refer to the Operator's Manual for serial number plate location.

- (S/N 20001+)                      Includes serial numbers 20001 and above (to the latest number)
- (S/N 10001 to 20000)           Includes serial numbers between and including 10001 and 20000
- (S/N 10000-)                      Includes serial numbers 10000 and below (to the earliest number)

**Blade Carrier (CTR & LH / CCW Rotation Shown) S/N 509995-**

Applies to RC5020, RCM5020



22098

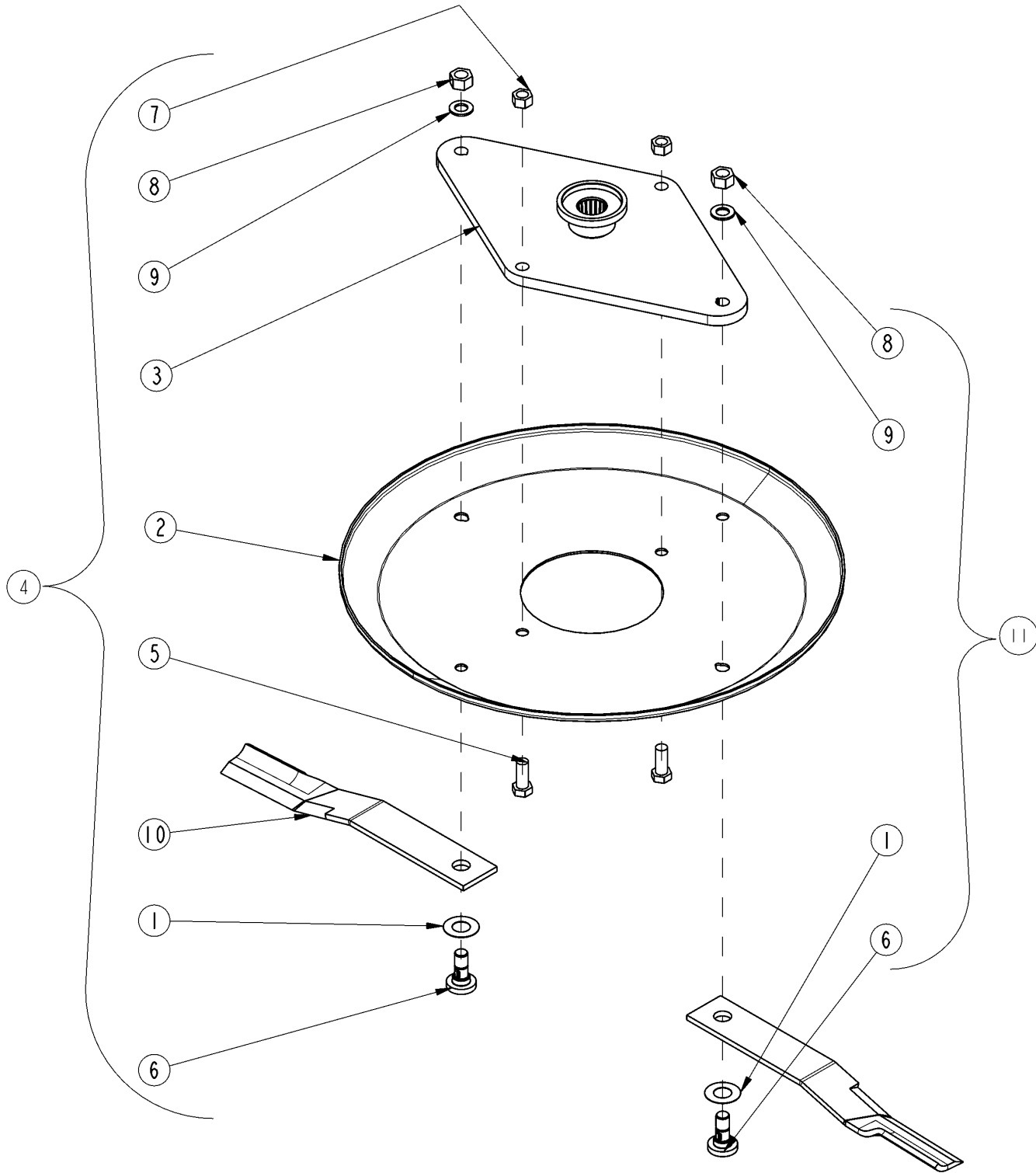


**Blade Carrier (CTR & LH / CCW Rotation Shown) S/N 509995-****Applies to RC5020, RCM5020**

<b>Ref</b>	<b>Part No.</b>	<b>Part Description</b>	<b>Comments</b>	<b>Revision</b>
	dwg22098	Drawing Image Number		
1.	312-075D	BLADE SPACER 16 GA .06 Thick	As Required	
1.	312-082D	BLADE SPACER 18 GA .05 Thick	As Required	
1.	312-089D	BLADE SPACER 20 GA .04 Thick	As Required	
1.	312-808D	BLADE SPACER 24GA .03 Thick	As Required	
2.	318-399D	LARGE ROUND DISHPAN .19		
3.	318-427S	ASSY. CCW BLADE CARRIER	Center & Left Hand Deck (CCW)	
3.	318-428S	ASSY. CW BLADE CARRIER	Right Hand Deck (CW Rotation)	
4.	318-871H	BLADE CARRIER WELDMENT		
4.	318-437H	RPBY 318-871H		
5.	802-277C	BLADE BOL 1 1/8-12X3 7/16 W/KY		
6.	802-634C	HHCS 1-8X2 GR5		
7.	803-168C	NUT HEX TOP LOCK 1-8 PLT		
8.	803-170C	NUT HEX TOP LOCK 1 1/8-12 PLT.		
9.	804-147C	WASHER FLAT 1 HARD ASTM436 PN		
10.	820-168C	CUTTER BLADE 1/2X4X29 CCW	Center & Left Hand Deck (CCW)	
10.	820-249C	CUTTER BLADE 1/2X4X29 CW	Right Hand Deck (CW Rotation)	
11.	318-586A	BLADE BOLT KIT	Service Kit	

**Blade Carrier (CTR & LH / CCW Rotation Shown) S/N 509996+**

Applies to RC5020, RCM5020



24632

**Blade Carrier (CTR & LH / CCW Rotation Shown) S/N 509996+****Applies to RC5020, RCM5020**

<b>Ref</b>	<b>Part No.</b>	<b>Part Description</b>	<b>Comments</b>	<b>Revision</b>
	dwg24632	Drawing Image Number		
1.	312-075D	BLADE SPACER 16 GA. .06 Thick	As Required	
1.	312-082D	BLADE SPACER 18 GA	As Required	
1.	312-089D	BLADE SPACER 20 GA. .036 Thick	As Required	
1.	312-808D	BLADE SPACER 24GA .024 Thick	As Required	
2.	318-399D	LARGE ROUND DISHPAN .19		
3.	318-871H	BLADE CARRIER WELDMENT		
4.	318-872S	BLADE CARRIER CCW ASSY.	Left Hand & Center Deck	
4.	318-873S	BLADE CARRIER CW ASSY.	Right Hand Deck	
5.	802-096C	HHCS 1-8X2 1/2 GR5		
6.	802-277C	BLADE BOL 1 1/8-12X3 7/16 W/KY		
7.	803-168C	NUT HEX TOP LOCK 1-8 PLT		
8.	803-170C	NUT HEX TOP LOCK 1 1/8-12 PLT.		
9.	804-147C	WASHER FLAT 1 HARD ASTM436 PN		
10.	820-168C	CUTTER BLADE 1/2X4X29 CCW	Left Hand & Center Deck	
10.	820-249C	CUTTER BLADE 1/2X4X29 CW	Right Hand Deck	
11.	318-586A	BLADE BOLT KIT	Service Kit	



**Deck Center Section (1000 RPM)****Applies to RCM5020**

Ref	Part No.	Part Description	Comments	Revision
	dwg22096	Image Reference: 22096		
1.	318-146H	WLDMT. SKID SHOE LH.		
2.	803-037C	NUT HEX WHIZ 1/2-13 PLT		
3.	802-456C	HFS 1/2-13X2 GR8		
4.	804-023C	WASHER LOCK SPRING 3/4 PLT	OMNI Gearbox S/N 536748- & 584787+	
4.	804-022C	WASHER LOCK SPRING 5/8 PLT	ITG Gearbox S/N 536749+	
5.	802-392C	HHCS 3/4-10X1 3/4 GR5	OMNI Gearbox S/N 536748- & 584787+	
5.	802-053C	HHCS 5/8-11X1 3/4 GR5	ITG Gearbox S/N 536749+	
6.	318-145H	WLDMT. SKID SHOE RH.		
7.	826-521C	DIV BOX 1000RPM 1 3/4-20	S/N 536749+ Comer/ITG	
7.	826-521C81	DIV BOX 1000RPM 1 3/4-20 GREEN		
7.	826-521C83	DIV BOX 1000RPM 1 3/4-20 RED		
7.	826-180C	DIVBX.RCD101HD 1 3/4-20 1.3:1	S/N 536748- Comer/Omni	
7.	826-180C81	DIVBX.RCD101HD 1 3/4-20 1.3:1 GREEN		
7.	826-180C83	DIVBX.RCD101HD 1 3/4-20 1.3:1 RED		
8.	817-484C	PLASTIC DIVIDER BOX SHIELD		
9.	804-013C	WASHER LOCK SPRING 3/8 PLT		
10.	803-231C	NUT WING 3/8-16 PLT		
11.	804-012C	WASHER FLAT 3/8 SAE PLT		
12.	318-401H	SHIELD BRACKET WELDMENT		
13.	804-010C	WASHER FLAT 5/16 USS PLT		
14.	804-009C	WASHER LOCK SPRING 5/16 PLT		
15.	802-007C	HHCS 5/16-18X3/4 GR5	OMNI Gear Box	
15.	802-314C	HHCS M8X1.25X20 GR8.8	COMER GEARBOX	
16.	826-495C	PTO E60 X 27.44 1280NM CLUTCH	(S/N 478985+)	Rev. 2
16.	826-423C	RPBY 826-495C	(S/N 478984-)	Rev. 1
17.	807-023C	SPRING HOSE LOOP		
18.	826-323C	GBOX RCM60 1.75-20 1.21:1 CCW		
18.	826-323C81	GBOX RCM60 1.75-20 1.21:1 CCW GREEN		
18.	826-323C83	GBOX RCM60 1.75-20 1.21:1 CCW RED		
19.	802-064C	HHCS 3/4-10X2 GR5		
20.	318-479H	WLDMT. CYLINDER SPRING BASE		
21.	807-143C	SPRING COMP 1.88OD x .362W		
22.	802-235C	HHCS 1-8X5 GR5		
23.	803-168C	NUT HEX TOP LOCK 1-8 PLT		
24.	312-812D	BLADE BOLT ACCESS COVER		
24.	312-812D81	BLADE BOLT ACCESS COVER GREEN		
24.	312-812D83	BLADE BOLT ACCESS COVER RED		
25.	803-299C	NUT HEX FLG TOP LK 3/4-10 PLT		
26.	318-423HC	WLDMT. CENTER SECTION		
26.	318-423H81	WLDMT. CENTER SECTION GREEN		
26.	318-423H83	WLDMT. CENTER SECTION RED		
26.	318-543HC	WLDMT. CTR. SECT. W/ DECK RINGS		
26.	318-543H81	WLDMT. CTR. SECT. W/ DECK RINGS GREEN		
26.	318-543H83	WLDMT. CTR. SECT. W/ DECK RINGS RED		
27.	826-477C	PTO CV V80 X 56.8 NO CLUTCH	(S/N 468226+)	Rev. 2
27.	826-244C	PTO CV 2580 CAT5 1000 1 3/8-21		
27.	826-247C	PTO 2500 CAT.5 1000 1 3/8-21		
27.	826-499C	PTO CV80 X 77.71 NO CLUTCH	(S/N 488897+)	Rev. 2
27.	826-245C	PTO CV 2580 CAT5 1000 1 3/4-20		Rev. 1
28.	804-028C	WASHER FLAT 1 USS PLT		
29.	802-070C	HHCS 3/4-10X6 GR5		
30.	318-167D	TOP PLATE SKID REINFORCEMENT		
30.	318-167D81	TOP PLATE SKID REINFORCEMENT GREEN		
30.	318-167D83	TOP PLATE SKID REINFORCEMENT RED		
31.	817-259C	KNOB 3/8-16 FEMALE THD 2 3/8OD		

**Deck Center Section (1000 RPM) (continued)**

---

**Applies to RCM5020**

<b>Ref</b>	<b>Part No.</b>	<b>Part Description</b>	<b>Comments</b>	<b>Revision</b>
32.	802-017C	HHCS 3/8-16X1 GR5		
33.	318-322D	FORMED HINGE BRACKET		
34.	805-309C	PIN CLEVIS 3/8 X 5 1/2 PLT		
35.	805-045C	PIN COTTER 5/32 X 1 1/4 LG		
36.	802-058C	HHCS 5/8-11X2 1/2 GR5	COMER GEARBOX	
37.	803-271C	NUT HEX TOP LOCK 5/8-11 PLT	COMER GEARBOX	
38.	803-013C	NUT LOCK 3/8-16 PLT		
39.	816-481C	MANUAL STORAGE CONTAINER	S/N 488969+	
40.	802-005C	HHCS 1/4-20X1 GR5	S/N 488969+	
41.	804-007C	WASHER FLAT 1/4 SAE PLT	S/N 488969+	
42.	803-255C	NUT HEX NYLOCK 1/4-20	S/N 488969+	
43.	890-005C	BUSHING CYL 1 1/4 X 1 X 1	S/N 509805+	
44.	318-746D	PLATE, DIV. BOX SUPPORT	S/N 584787+	
45.	803-263C	NUT HEX FLANGE LOCK 5/8-11 PLT	S/N 584787+	
46.	802-053C	HHCS 5/8-11X1 3/4 GR5	S/N 584787+	

***Deck Center Section (1000 RPM) (continued)***

---

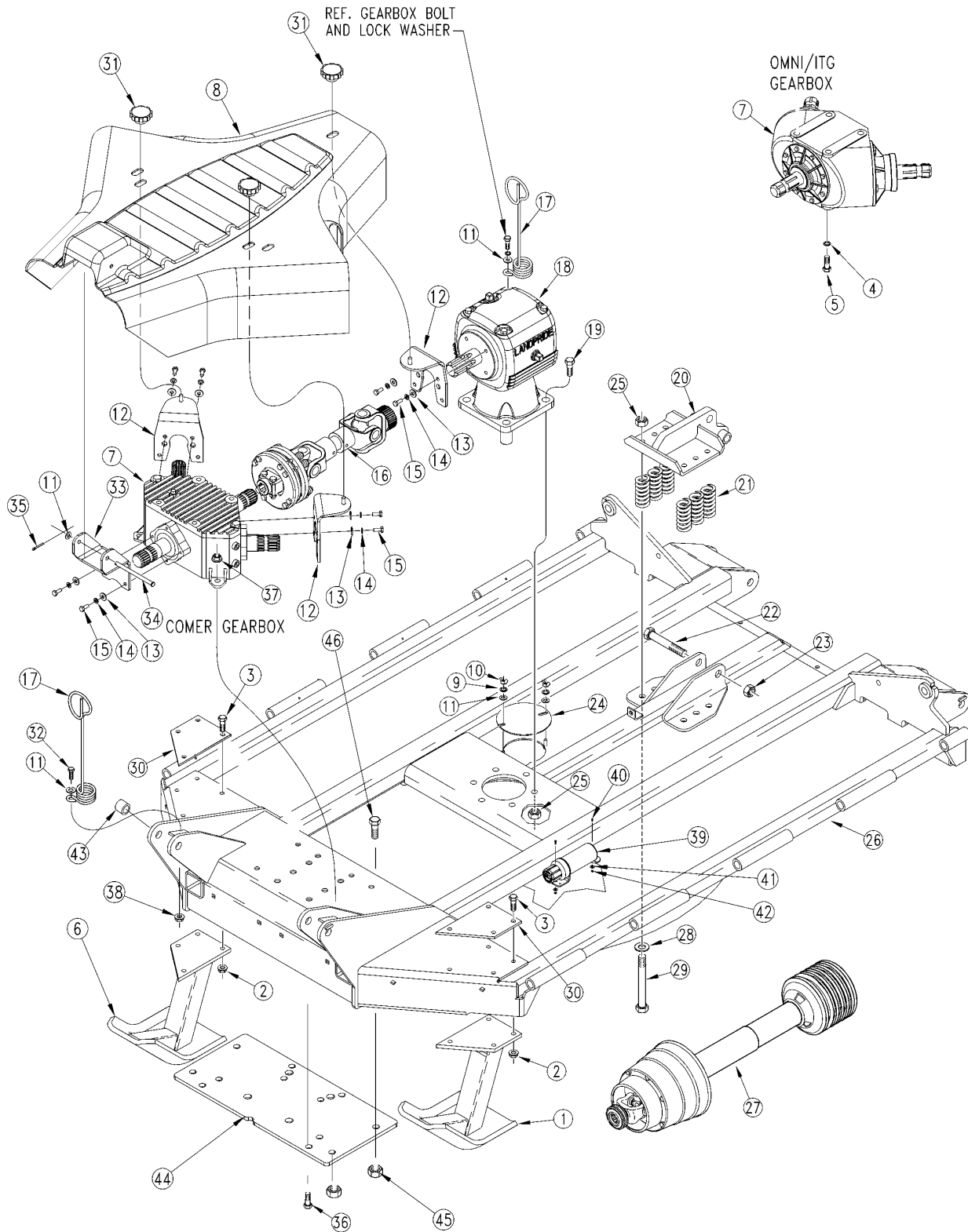
**Applies to RCM5020**

***This Page Intentionally Left Blank***



**Deck Center Section (540 RPM)**

**Applies to RC5020**



22096

***Deck Center Section (540 RPM)*****Applies to RC5020**

<b>Ref</b>	<b>Part No.</b>	<b>Part Description</b>	<b>Comments</b>	<b>Revision</b>
	dwg22096	Drawing Image Number		
1.	318-146H	WLDMT. SKID SHOE LH.		
2.	803-037C	NUT HEX WHIZ 1/2-13 PLT		
3.	802-456C	HFS 1/2-13X2 GR8		
4.	804-023C	WASHER LOCK SPRING 3/4 PLT	OMNI Gear Box S/N 536748- & 584787+	
4.	804-022C	WASHER LOCK SPRING 5/8 PLT	ITG S/N 536749+	
5.	802-392C	HHCS 3/4-10X1 3/4 GR5	OMNI Gear Box S/N 536748- & 584787+	
5.	802-053C	HHCS 5/8-11X1 3/4 GR5	ITG S/N 536749+	
6.	318-145H	WLDMT. SKID SHOE RH.		
7.	826-520C	DIV BOX 540RPM 1 3/4-20	S/N 536749+ Comer/ITG	
7.	826-520C81	DIV BOX 540RPM 1 3/4-20		
7.	826-520C83	DIV BOX 540RPM 1 3/4-20		
7.	826-179C	DIVBX.RCD101HD 1 3/4-20 1:1.21	S/N 536748- Comer/Omni	
7.	826-179C81	DIVBX.RCD101HD 1 3/4-20 1:1.21 GREEN		
7.	826-179C83	DIVBX.RCD101HD 1 3/4-20 1:1.21 RED		
8.	817-484C	PLASTIC DIVIDER BOX SHIELD		
9.	804-013C	WASHER LOCK SPRING 3/8 PLT		
10.	803-231C	NUT WING 3/8-16 PLT		
11.	804-012C	WASHER FLAT 3/8 SAE PLT		
12.	318-401H	SHIELD BRACKET WELDMENT		
13.	804-010C	WASHER FLAT 5/16 USS PLT		
14.	804-009C	WASHER LOCK SPRING 5/16 PLT		
15.	802-007C	HHCS 5/16-18X3/4 GR5	OMNI Gear Box	
15.	802-314C	HHCS M8X1.25X20 GR8.8	Comer Gearbox	
16.	826-495C	DRIVELINE INT. 540RPM W/DECAL	(S/N 478985+)	Rev. 2
16.	826-422C	RPBY 826-495C	(S/N 478984-)	Rev. 1
17.	807-023C	SPRING HOSE LOOP		
18.	826-320C	GBOX RC60 1.75-20 1:1.46 CCW		
18.	826-320C81	GBOX RC60 1.75-20 1:1.46 CCW GREEN		
18.	826-320C83	GBOX RC60 1.75-20 1:1.46 CCW RED		
19.	802-064C	HHCS 3/4-10X2 GR5		
20.	318-479H	WLDMT. CYLINDER SPRING BASE		
21.	807-143C	SPRING COMP 1.88OD x .362W		
22.	802-235C	HHCS 1-8X5 GR5		
23.	803-168C	NUT HEX TOP LOCK 1-8 PLT		
24.	312-812D	BLADE BOLT ACCESS COVER		
24.	312-812D81	BLADE BOLT ACCESS COVER GREEN		
24.	312-812D83	BLADE BOLT ACCESS COVER RED		
25.	803-299C	NUT HEX FLG TOP LK 3/4-10 PLT		
26.	318-423H	WLDMT. CENTER SECTION		
26.	318-423H81	WLDMT. CENTER SECTION GREEN		
26.	318-423H83	WLDMT. CENTER SECTION RED		
26.	318-543H	WLDMT. CTR. SECT. W/ DECK RINGS		
26.	318-543H81	WLDMT. CTR. SECT. W/ DECK RINGS GREEN		
26.	318-543H83	WLDMT. CTR. SECT. W/ DECK RINGS RED		
27.	826-476C	PTO CV V80 X 54.8 NO CLUTCH	(S/N 468558+)	Rev. 2
27.	826-117C	PTO CV 2580 X 41.73		Rev. 1
27.	826-112C	PTO 2500 X 39.76 NO CLUTCH		
28.	804-028C	WASHER FLAT 1 USS PLT		
29.	802-070C	HHCS 3/4-10X6 GR5		
30.	318-167D	TOP PLATE SKID REINFORCEMENT		
31.	817-259C	KNOB 3/8-16 FEMALE THD 2 3/8OD		
32.	802-017C	HHCS 3/8-16X1 GR5		
33.	318-322D	FORMED HINGE BRACKET		
34.	805-309C	PIN CLEVIS 3/8 X 5 1/2 PLT		
35.	805-045C	PIN COTTER 5/32 X 1 1/4 LG		

**Deck Center Section (540 RPM) (continued)**

---

**Applies to RC5020**

<b>Ref</b>	<b>Part No.</b>	<b>Part Description</b>	<b>Comments</b>	<b>Revision</b>
36.	802-058C	HHCS 5/8-11X2 1/2 GR5	COMER GEARBOX	
37.	803-271C	NUT HEX TOP LOCK 5/8-11 PLT	COMER GEARBOX	
38.	803-013C	NUT LOCK 3/8-16 PLT		
39.	816-481C	MANUAL STORAGE CONTAINER	S/N 488969+	
40.	802-005C	HHCS 1/4-20X1 GR5	S/N 488969+	
41.	804-007C	WASHER FLAT 1/4 SAE PLT	S/N 488969+	
42.	803-255C	NUT HEX NYLOCK 1/4-20	S/N 488969+	
43.	890-005C	BUSHING CYL 1 1/4 X 1 X 1	S/N 509805+	
44.	318-746D	PLATE, DIV. BOX SUPPORT	S/N 584787+	
45.	803-263C	NUT HEX FLANGE LOCK 5/8-11 PLT	S/N 584787+	
56.	802-053C	HHCS 5/8-11X1 3/4 GR5	S/N 584787+	

***Deck Center Section (540 RPM) (continued)***

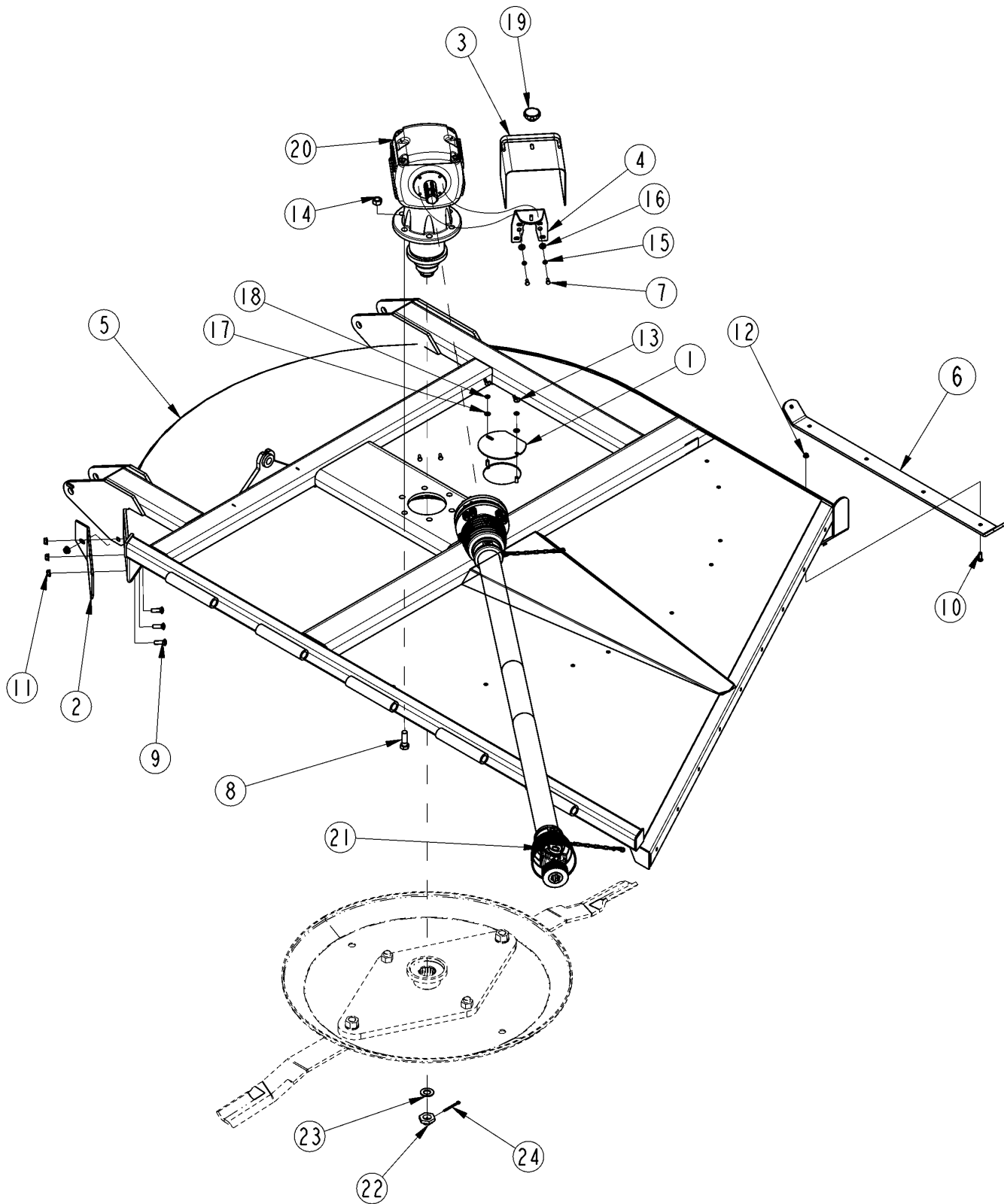
---

**Applies to RC5020**

***This Page Intentionally Left Blank***

# Deck Wing Section (1000 RPM) (Left Hand Shown)

Applies to RCM5020



22097

**Deck Wing Section (1000 RPM) (Left Hand Shown)****Applies to RCM5020**

Ref	Part No.	Part Description	Comments	Revision
	dwg22097	Drawing Image Number		
1.	312-812D	ACCESS COVER PLATE		
1.	312-812D81	ACCESS COVER PLATE GREEN		
1.	312-812D83	ACCESS COVER PLATE RED		
2.	318-170D	DEFLECTOR FLAT RH.	Right Hand Deck	
2.	318-170D81	DEFLECTOR FLAT RH. GREEN		
2.	318-170D83	DEFLECTOR FLAT RH. RED		
2.	318-171D	DEFLECTOR FLAT LH.	Left Hand Deck	
2.	318-171D81	DEFLECTOR FLAT LH. GREEN		
2.	318-171D83	DEFLECTOR FLAT LH. RED		
3.	318-400H	SHIELD WELDMENT		
4.	318-401H	SHIELD BRACKET WELDMENT	S/N 502880+	
4.	318-404H	SHEILD MOUNT BRACKET WELDMENT	S/N 502879- Replace With 318-401H	
5.	318-429H	WLDMT. RH. WING SECTION	Right Hand Deck	
5.	318-429H81	WLDMT. RH. WING SECTION GREEN		
5.	318-429H83	WLDMT. RH. WING SECTION RED		
5.	318-544H	WLDMT. RH. WING SECTION W/ DECK RINGS	Right Hand Deck	
5.	318-544H81	WLDMT. RH. WING SECTION W/ DECK RINGS GREEN		
5.	318-544H83	WLDMT. RH. WING SECTION W/ DECK RINGS RED		
5.	318-430H	WLDMT. LH. WING SECTION	Left Hand Deck	
5.	318-430H81	WLDMT. LH. WING SECTION GREEN		
5.	318-430H83	WLDMT. LH. WING SECTION RED		
5.	318-545H	WLDMT. LH. WING SECTION W/ DECK RINGS	Left Hand Deck	
5.	318-545H81	WLDMT. LH. WING SECTION W/ DECK RINGS GREEN		
5.	318-545H83	WLDMT. LH. WING SECTION W/ DECK RINGS RED		
6.	318-441D	SKID SHOE		
7.	802-007C	HHCS 5/16-18X3/4 GR5		
8.	802-065C	HHCS 3/4-10X2 1/4 GR5		
9.	802-106C	RHSNB 1/2-13X1 1/2 GR5		
10.	802-466C	PLOW 3/8-16X1 1/4 GR5		
11.	803-037C	NUT HEX WHIZ 1/2-13 PLT		
12.	803-198C	NUT HEX WHIZ 3/8-16 PLT		
13.	803-231C	NUT WING 3/8-16 PLT		
14.	803-299C	NUT HEX FLG TOP LK 3/4-10 PLT		
15.	804-009C	WASHER LOCK SPRING 5/16 PLT		
16.	804-010C	WASHER FLAT 5/16 USS PLT		
17.	804-012C	WASHER FLAT 3/8 SAE PLT		
18.	804-013C	WASHER LOCK SPRING 3/8 PLT		
19.	817-259C	KNOB 3/8-16 FEMALE THD 2 3/8OD		
20.	826-471C	GBOX RCM60 1.75-20 1:1 CW	Right Hand Deck (1000 RPM) S/N 478962+	
20.	826-471C81	GBOX RCM60 1.75-20 1:1 CW GREEN		
20.	826-471C83	GBOX RCM60 1.75-20 1:1 CW RED		
20.	826-323C	GBOX RCM60 1.75-20 1.21:1 CCW	Right Hand Deck (1000 RPM) S/N 478961-	
20.	826-472C	GBOX RCM60 1.75-20 1:1 CCW	Left Hand Deck (1000 RPM) S/N 478962+	
20.	826-472C81	GBOX RCM60 1.75-20 1:1 CCW GREEN		
20.	826-472C83	GBOX RCM60 1.75-20 1:1 CCW RED		
20.	826-363C	GBOX RCM60 1.75-20 1.21:1 CW	Left Hand Deck (1000 RPM) S/N 478961-	
21.	826-494C	PTO V80 X 77.05 1280NM CLUTCH	(S/N 478985+)	Rev. 2
21.	826-342C	RPBY 826-494C	(S/N 478984-)	Rev. 1
22.	8.2.2.00555	CO NUT, CASTLE M30 X 2		

***Deck Wing Section (1000 RPM) (Left Hand Shown) (continued)***

---

**Applies to RCM5020**

<b>Ref</b>	<b>Part No.</b>	<b>Part Description</b>	<b>Comments</b>	<b>Revision</b>
23.	0.288.7101.00	CO BLANK WASHER		
24.	805-105C	PIN COTTER 1/4 X 2 1/2 PLT		



***Deck Wing Section (1000 RPM) (Left Hand Shown) (continued)***

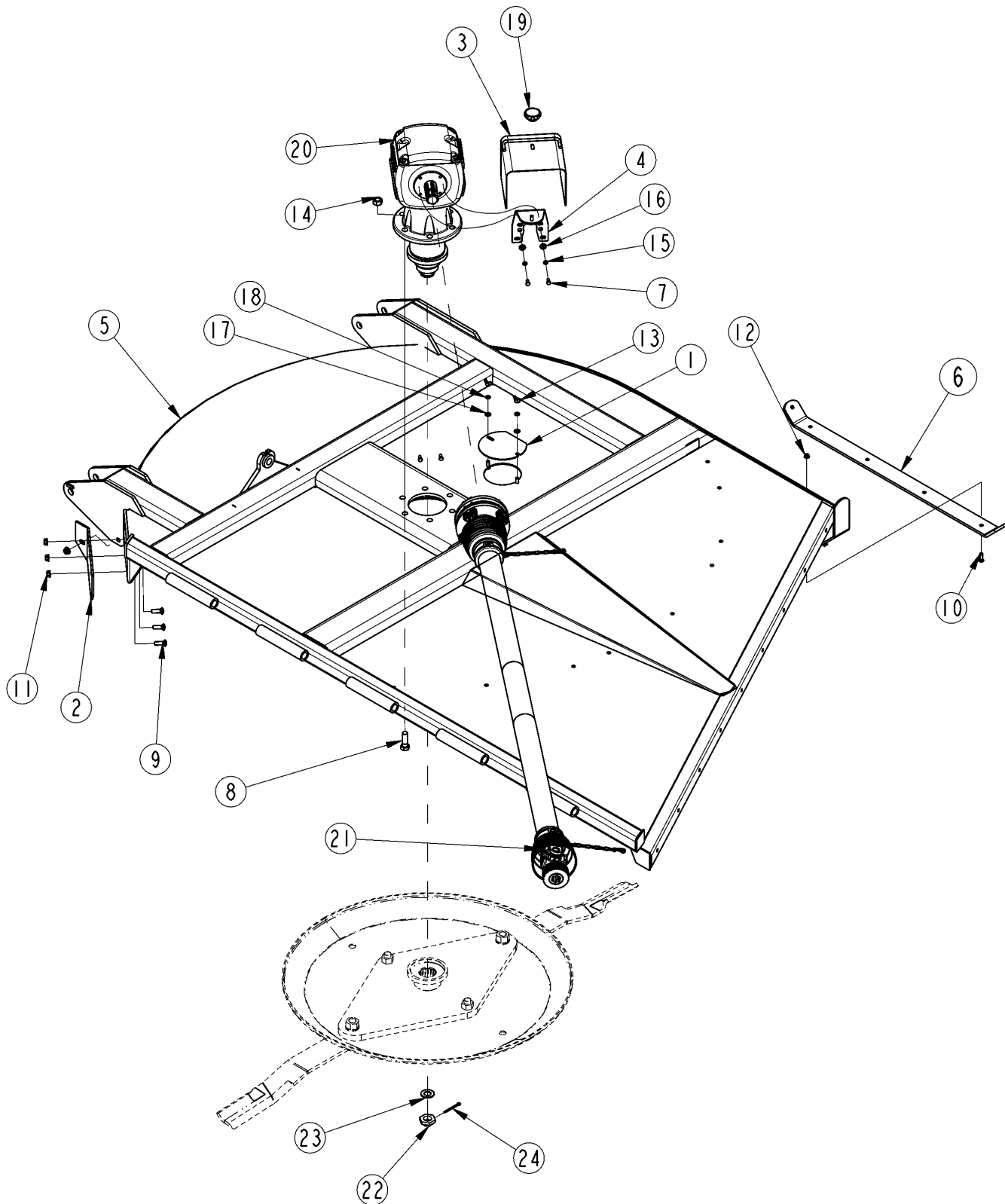
---

**Applies to RCM5020**

***This Page Intentionally Left Blank***

# Deck Wing Section (540 RPM) (Left Hand Shown)

Applies to RC5020



22097

**Deck Wing Section (540 RPM) (Left Hand Shown)****Applies to RC5020**

Ref	Part No.	Part Description	Comments	Revision
	dwg22097	Drawing Image Number		
1.	312-812D	ACCESS COVER PLATE		
1.	312-812D81	ACCESS COVER PLATE GREEN		
1.	312-812D83	ACCESS COVER PLATE RED		
2.	318-170D	DEFLECTOR FLAT RH.	Right Hand Deck	
2.	318-170D81	DEFLECTOR FLAT RH. GREEN		
2.	318-170D83	DEFLECTOR FLAT RH. RED		
2.	318-171D	DEFLECTOR FLAT LH.	Left Hand Deck	
2.	318-171D83	DEFLECTOR FLAT LH. RED		
2.	318-171D81	DEFLECTOR FLAT LH. GREEN		
3.	318-400H	SHIELD WELDMENT		
4.	318-401H	SHIELD BRACKET WELDMENT	S/N 502880+	
4.	318-404H	SHEILD MOUNT BRACKET WELDMENT	S/N 502879- Replace With 318-401H	
5.	318-429H	WLDMT. RH. WING SECTION		
5.	318-429H81	WLDMT. RH. WING SECTION GREEN		
5.	318-429H83	WLDMT. RH. WING SECTION RED		
5.	318-544H	WLDMT. RH. WING DR.		
5.	318-544H81	WLDMT. RH. WING DR. GREEN		
5.	318-544H83	WLDMT. RH. WING DR. RED		
5.	318-430H	WLDMT. LH. WING SECTION		
5.	318-430H81	WLDMT. LH. WING SECTION GREEN		
5.	318-430H83	WLDMT. LH. WING SECTION RED		
5.	318-545H	WLDMT. LH. WING W/ DECK RINGS		
5.	318-545H81	WLDMT. LH. WING W/ DECK RINGS GREEN		
5.	318-545H83	WLDMT. LH. WING W/ DECK RINGS RED		
6.	318-441D	SKID SHOE		
7.	802-007C	HHCS 5/16-18X3/4 GR5		
8.	802-065C	HHCS 3/4-10X2 1/4 GR5		
9.	802-106C	RHSNB 1/2-13X1 1/2 GR5		
10.	802-466C	PLOW 3/8-16X1 1/4 GR5		
11.	803-037C	NUT HEX WHIZ 1/2-13 PLT		
12.	803-198C	NUT HEX WHIZ 3/8-16 PLT		
13.	803-231C	NUT WING 3/8-16 PLT		
14.	803-367C	NUT HEX TOP LOCK 3/4-10 PLT		
15.	804-009C	WASHER LOCK SPRING 5/16 PLT		
16.	804-010C	WASHER FLAT 5/16 USS PLT		
17.	804-012C	WASHER FLAT 3/8 SAE PLT		
18.	804-013C	WASHER LOCK SPRING 3/8 PLT		
19.	817-259C	KNOB 3/8-16 FEMALE THD 2 3/8OD		
20.	826-322C	GBOX RCM60 1.75-20 1:1.21 CCW	Right Hand Deck	
20.	826-322C81	GBOX RCM60 1.75-20 1:1.21 CCW GREEN		
20.	826-322C83	GBOX RCM60 1.75-20 1:1.21 CCW RED		
20.	826-324C	GBOX RCM60 1.75-20 1:1.21 CW	Left Hand Deck	
20.	826-324C81	GBOX RCM60 1.75-20 1:1.21 CW GREEN		
20.	826-324C83	GBOX RCM60 1.75-20 1:1.21 CW RED		
21.	826-494C	PTO V80 X 77.05 1280NM CLUTCH	(S/N 478985+)	Rev. 2
21.	826-342C	RPBY 826-494C	(S/N 478984-)	Rev. 1
22.	8.2.2.00555	CO NUT, CASTLE M30 X 2		
23.	0.288.7101.00	CO BLANK WASHER		
24.	805-105C	PIN COTTER 1/4 X 2 1/2 PLT		

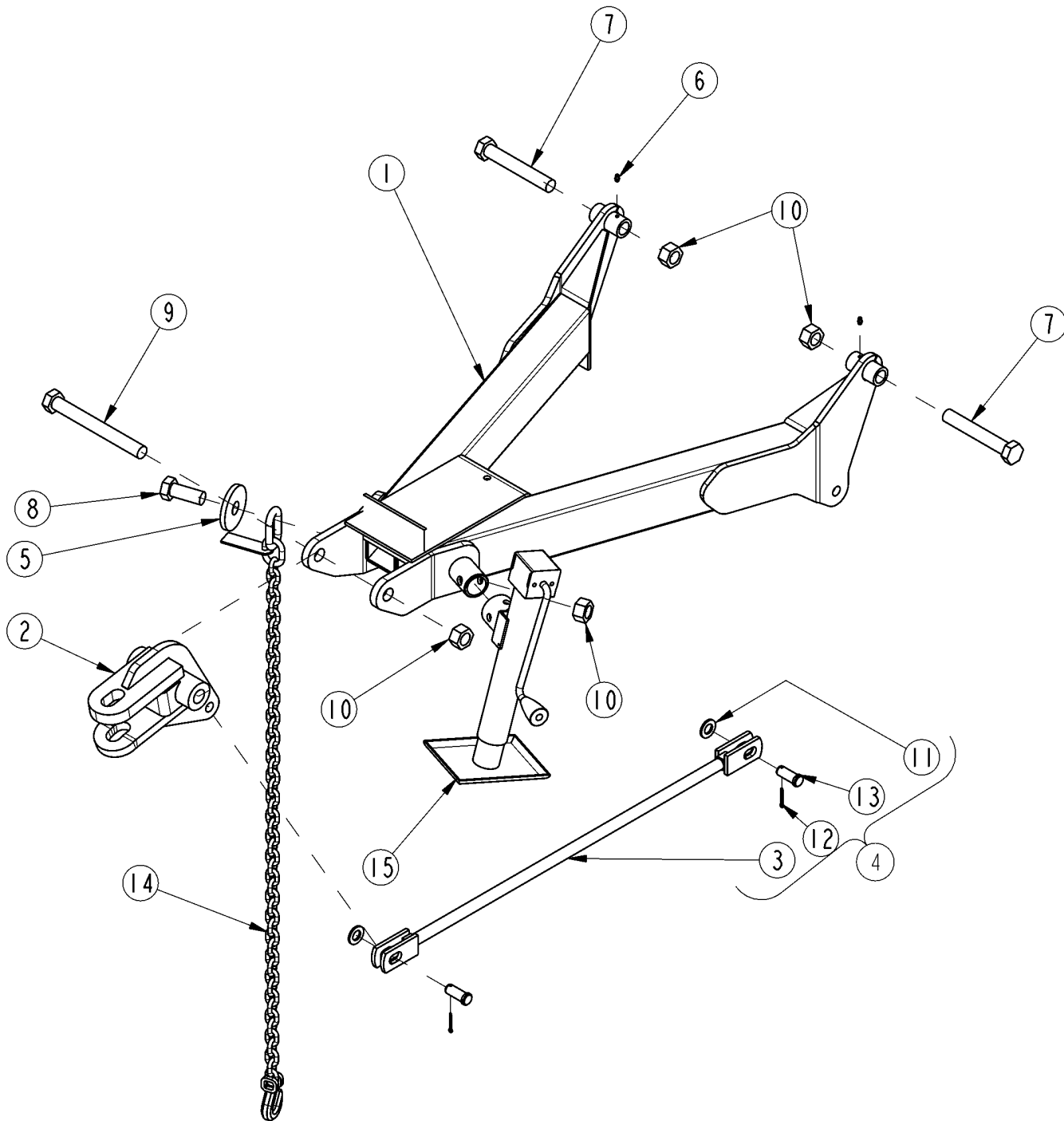


**Hitch Pintle****Applies to RC5020, RCM5020**

<b>Ref</b>	<b>Part No.</b>	<b>Part Description</b>	<b>Comments</b>	<b>Revision</b>
	dwg26587	Drawing Image Number		
1.	318-004H	WLDMT. TONGUE		
2.	318-006H	WLDMT. CLEVIS LEVEL ROD		
3.	318-053L	ASSY. LEVEL ROD CLEVIS		
4.	318-508D	WASHER 3.5ODX1.03ID .38THK.		
5.	318-556H	WLDMT. PINTLE HITCH CLEVIS		
6.	800-080C	GREASE ZERK 1/4-28 THD FORMING		
7.	802-074C	HHCS 1-8X6 1/2 GR5		
8.	802-096C	HHCS 1-8X2 1/2 GR5		
9.	802-110C	HHCS 1-8X9 GR5		
10.	802-729C	HFS 5/8-11X2 1/2 GR8 PLT		
11.	803-168C	NUT HEX TOP LOCK 1-8 PLT		
12.	803-304C	NUT HEX WHIZ 5/8-11 PLT		
13.	804-025C	WASHER FLAT 3/4 SAE PLT		
14.	805-045C	PIN COTTER 5/32 X 1 1/4 LG		
15.	805-083C	PIN CLEVIS 3/4 X 1 1/2		
16.	890-183C	SAFETY CHAIN 20000 LB		
17.	890-786C	SIDEWIND JACK 7000 LB		
18.	890-806C	PINTLE HOOK SQ.BASE BDB1250-15		

# Hitch Standard

Applies to RC5020, RCM5020



24832

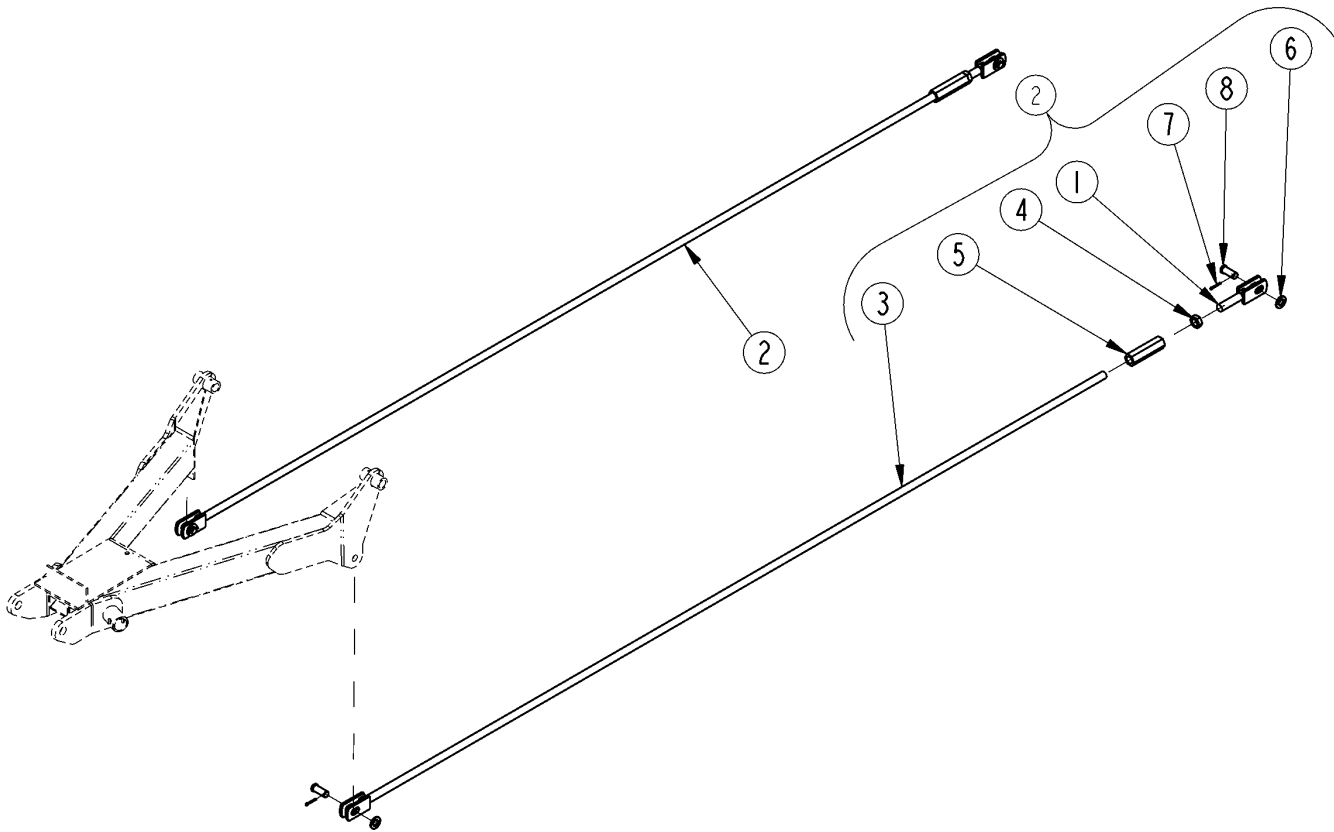
**Hitch Standard****Applies to RC5020, RCM5020**

<b>Ref</b>	<b>Part No.</b>	<b>Part Description</b>	<b>Comments</b>	<b>Revision</b>
	dwg24832	Drawing Image Number		
1.	318-004H	WLDMT. TONGUE		
2.	318-005H	WLDMT. TONGUE CLEVIS		
3.	318-006H	WLDMT. CLEVIS LEVEL ROD		
4.	318-053L	ASSY. LEVEL ROD CLEVIS		
5.	318-508D	WASHER 3.5ODX1.03ID .38THK.		
6.	800-080C	GREASE ZERK 1/4-28 THD FORMING		
7.	802-074C	HHCS 1-8X6 1/2 GR5	S/N 509805+	
7.	802-235C	HHCS 1-8X5 GR5	S/N 509804-	
8.	802-096C	HHCS 1-8X2 1/2 GR5		
9.	802-110C	HHCS 1-8X9 GR5		
10.	803-168C	NUT HEX TOP LOCK 1-8 PLT		
11.	804-025C	WASHER FLAT 3/4 SAE PLT		
12.	805-045C	PIN COTTER 5/32 X 1 1/4 LG		
13.	805-083C	PIN CLEVIS 3/4 X 1 1/2		
14.	890-183C	SAFETY CHAIN 20000 LB		
15.	890-786C	SIDEWIND JACK 7000 LB		



# Leveling Rod Components

Applies to RC5020, RCM5020



24833

## ***Leveling Rod Components***

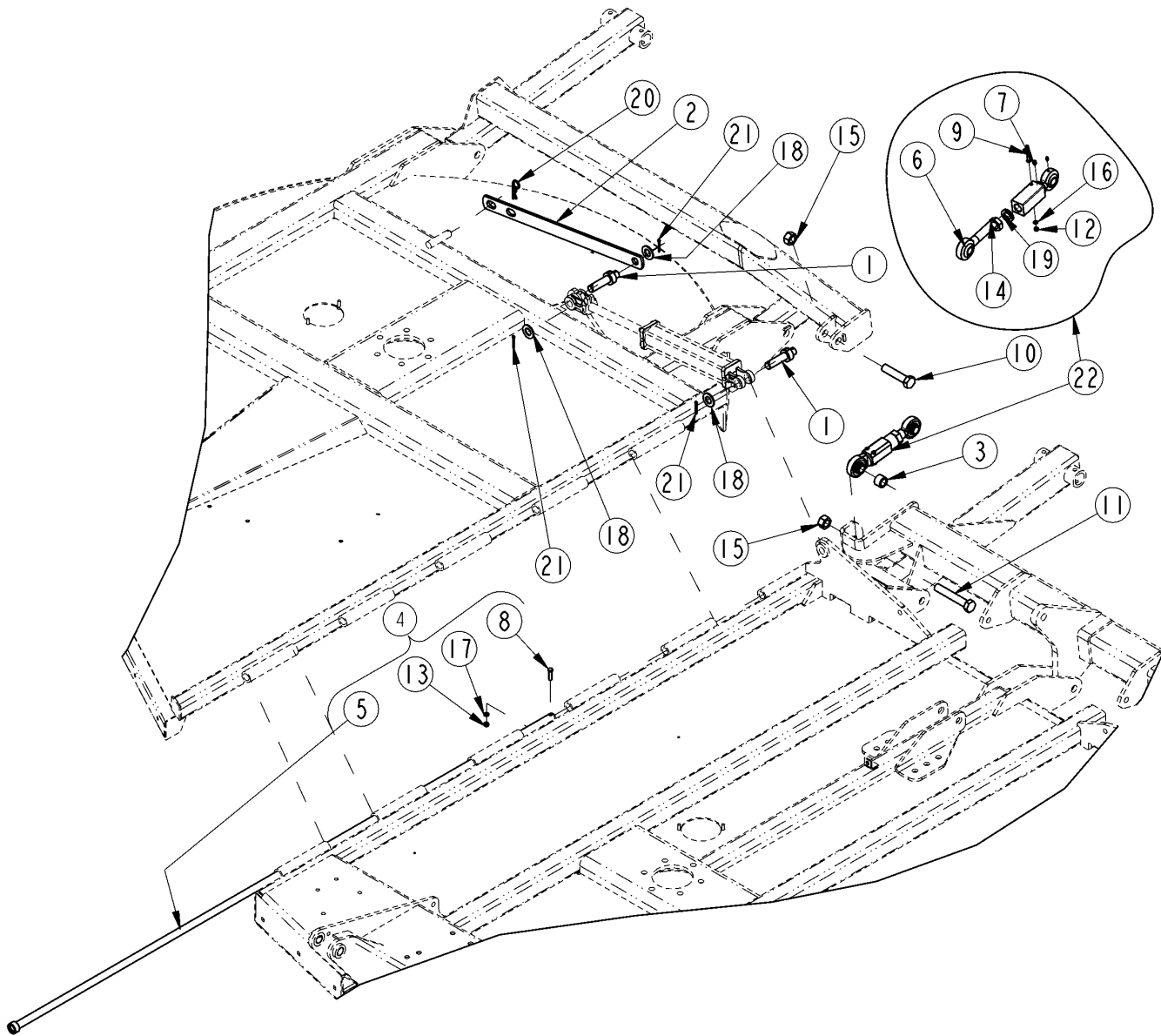
---

### **Applies to RC5020, RCM5020**

<b>Ref</b>	<b>Part No.</b>	<b>Part Description</b>	<b>Comments</b>	<b>Revision</b>
	dwg24833	Drawing Image Number		
1.	318-008H	WLDMT. LEVEL ROD SHORT		
2.	318-418L	ASSY. LEVEL ROD		
3.	318-478H	WLDMT. LEVEL ROD LONG		
4.	803-075C	NUT HEX JAM 7/8-9		
5.	803-265C	NUT HEX COUPLER 7/8-9 x 5		
6.	804-025C	WASHER FLAT 3/4 SAE PLT		
7.	805-045C	PIN COTTER 5/32 X 1 1/4 LG		
8.	805-083C	PIN CLEVIS 3/4 X 1 1/2		

# Wing Turnbuckle and Transport Bar

Applies to RC5020, RCM5020



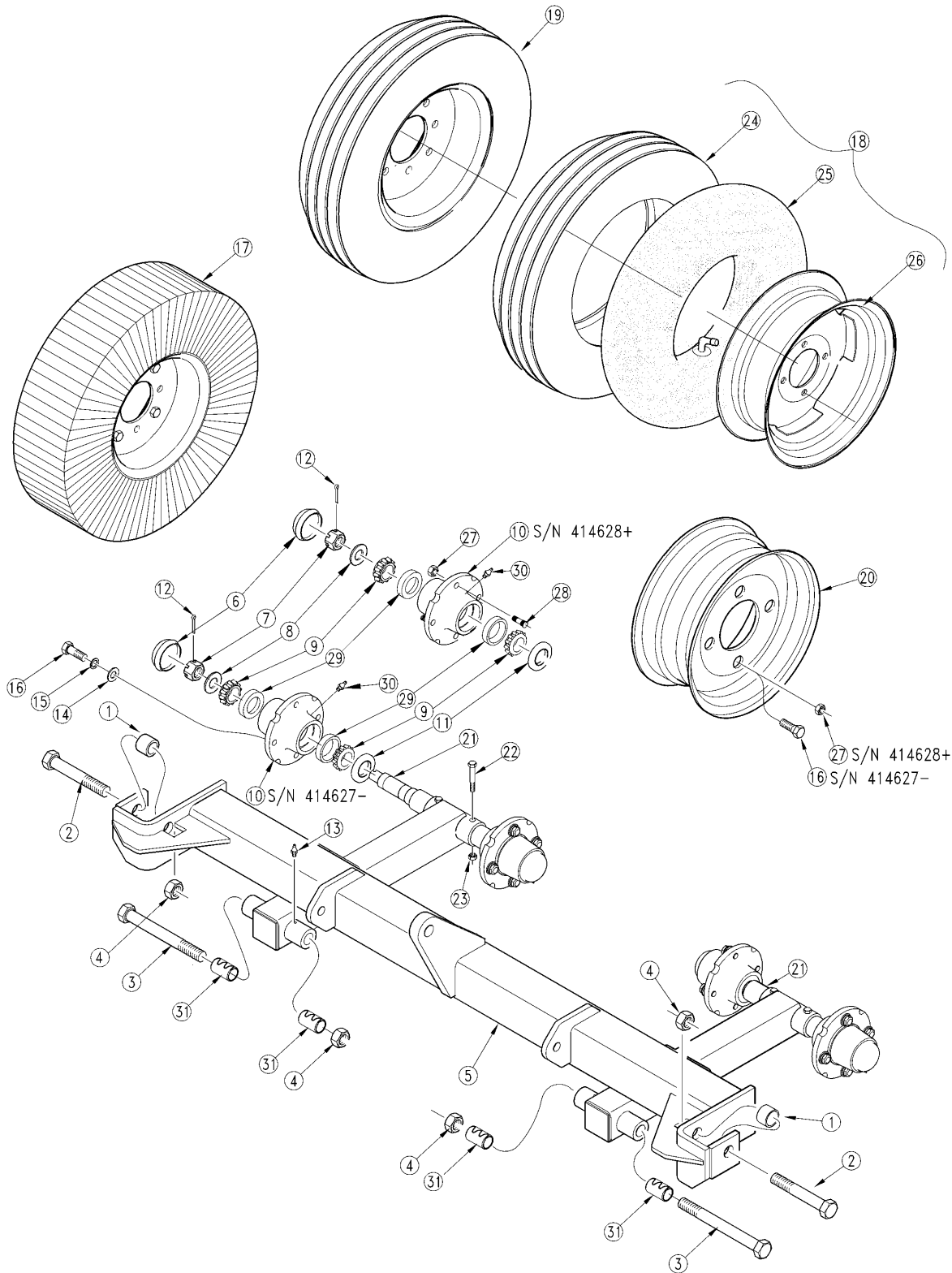
24857

**Wing Turnbuckle and Transport Bar****Applies to RC5020, RCM5020**

<b>Ref</b>	<b>Part No.</b>	<b>Part Description</b>	<b>Comments</b>	<b>Revision</b>
	dwg24857	Drawing Image Number		
1.	318-018H	WLDMT. CYLINDER PIN		
2.	318-040D	TRANSPORT BAR		
3.	318-085D	SPACER 1 1/2OD X .234W X 1	S/N 564076-	
4.	318-419L	ASSY. HINGE ROD		
5.	318-485H	WLDMT. HINGE ROD		
6.	800-001C	GREASE ZERK STRAIGHT 1/4-28		
7.	800-130C	GREASE ZERK STRAIGHT 1/8-27NPT		
8.	802-022C	HHCS 3/8-16X1 1/2 GR5		
9.	802-649C	HHCS 5/16-18X2 1/2 GR8		
10.	802-680C	HHCS 1-8 X 4 1/2 PLT GR8		
11.	802-854C	HHCS 1-8X6 GR8		
12.	803-008C	NUT HEX 5/16-18 PLT		
13.	803-014C	NUT HEX 3/8-16 PLT		
14.	803-266C	NUT HEX JAM 1 1/8-7 PLTD.		
15.	803-316C	NUT HEX SIDE LOCK 1-8 PLT		
16.	804-009C	WASHER LOCK SPRING 5/16 PLT		
17.	804-013C	WASHER LOCK SPRING 3/8 PLT		
18.	804-029C	WASHER FLAT 1 SAE		
19.	804-067C	WASHER LOCK 1 1/8		
20.	805-088C	PIN, HAIR COTTER 3/16 WIRE DIA		
21.	805-104C	PIN COTTER 3/16 X 1 1/2 PLT		
22.	890-974C	TRNBCKL, 1BORE W/SWIVEL 9.5	S/N 564077+	
22.	890-506C	OB RPBY 890-974C	S/N 564076-	

# Axle Center Dual (S/N 488968-)

Applies to RC5020, RCM5020



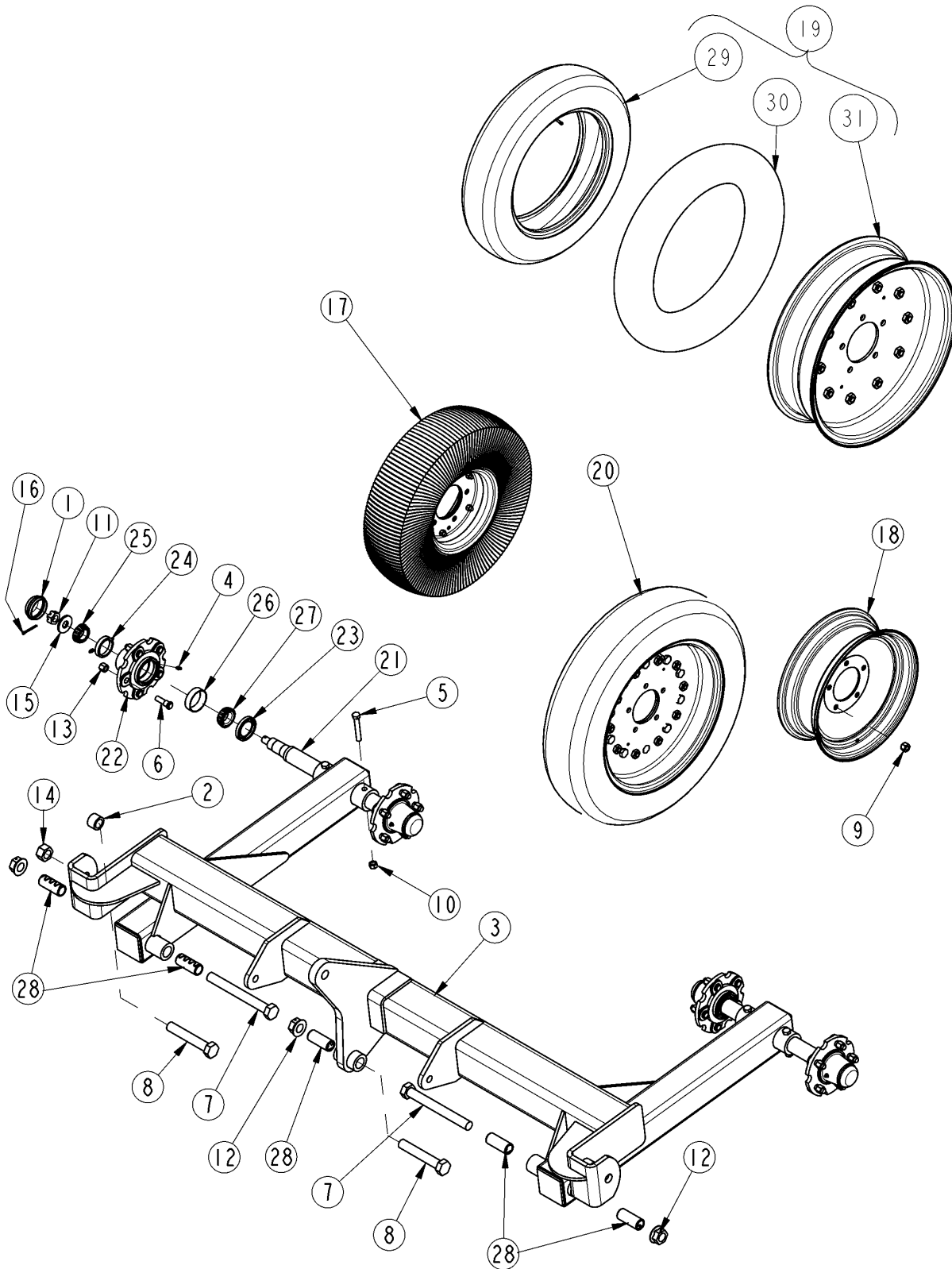
22099

**Axle Center Dual (S/N 488968-)****Applies to RC5020, RCM5020**

Ref	Part No.	Part Description	Comments	Revision
	dwg22099	Drawing Image Number		
1.	318-085D	SPACER 1 1/2OD X .234W X 1		
2.	802-205C	HHCS 1-8X5 1/2 GR5		
3.	802-110C	HHCS 1-8X9 GR5		
4.	803-168C	NUT HEX TOP LOCK 1-8 PLT		
5.	318-434H	WLDMT. CENTER AXLE		
6.	200-001D	HUB GREASE CAP		
7.	803-029C	NUT HEX SLOTTED 7/8-14 PLT		
8.	804-055C	WASHER SPINDLE - 7/8		
9.	822-091C	BEARING CONE 15123		
10.	815-230C	HUB 4 BLT W/CUPS, ZERK & STUDS	(S/N 414628+)	Rev. 2
10.	815-093C	HUB 4 BOLT WHL W/CUPS & ZERK	(S/N 414627-)	Rev. 1
11.	816-098C	SEAL 1 3/8 ID X 2.441 OD X.313		
12.	805-016C	PIN COTTER 3/16 X 1 1/4 PLT		
13.	800-080C	GREASE ZERK 1/4-28 THD FORMING		
14.	804-016C	WASHER FLAT 1/2 SAE PLT	Use with #17, 18 &19 S/N 414627-	
15.	804-015C	WASHER LOCK SPRING 1/2 PLT	Use with #17, 18 &19 S/N 414627-	
16.	802-326C	HHCS 1/2-20X1 1/4 GR5	Use with #17, 18 &19 S/N 414627-	
16.	802-104C	BOLT WHEEL 1/2-20X1 90-DEG	Use with #20 S/N 414627-	
17.	814-059C	TIRE & WHEEL LAM. 6X9X21(TALL)		
18.	814-201C	AC TIRE 27x7.75x15 MOUNTED		
19.	814-202C	AC TIRE 27X7.75X15 MOUNTED FF		
20.	814-066C	WHEEL 15 X 5 X 4 BOLT		
21.	815-141C	SPINDLE - DUAL AXLE BOLT ON		
22.	802-099C	HHCS 1/2-13X3 1/4 GR5		
23.	803-019C	NUT LOCK 1/2-13 PLT		
24.	814-203C	TIRE 27X7.75-15 (814-201C)		
25.	814-204C	TUBE FOR 27X7.75-15(814-201C)		
26.	814-205C	RIM 2PC.4BLT 15X6 BLACK		
27.	803-308C	NUT HEX FLG/LK 1/2-20 PLT.GR.G	Use with #17, 18 & 19 S/N 414628+	
27.	803-017C	NUT LUG 1/2-20X90DEG PLT 13/16	Use with #20 S/N 414628+	
28.	802-135C	HUB STUD 1/2-20X1 5/8 GR5	In #10 (P/N 815-230C only)	
29.	822-092C	BEARING CUP 15245	In #10	
30.	800-001C	GREASE ZERK STRAIGHT 1/4-28	In #10	
31.	890-771C	BUSHING 1.25ODX1.00IDX2.00		

### Axle Center Dual (S/N 488969+)

Applies to RC5020, RCM5020



24858

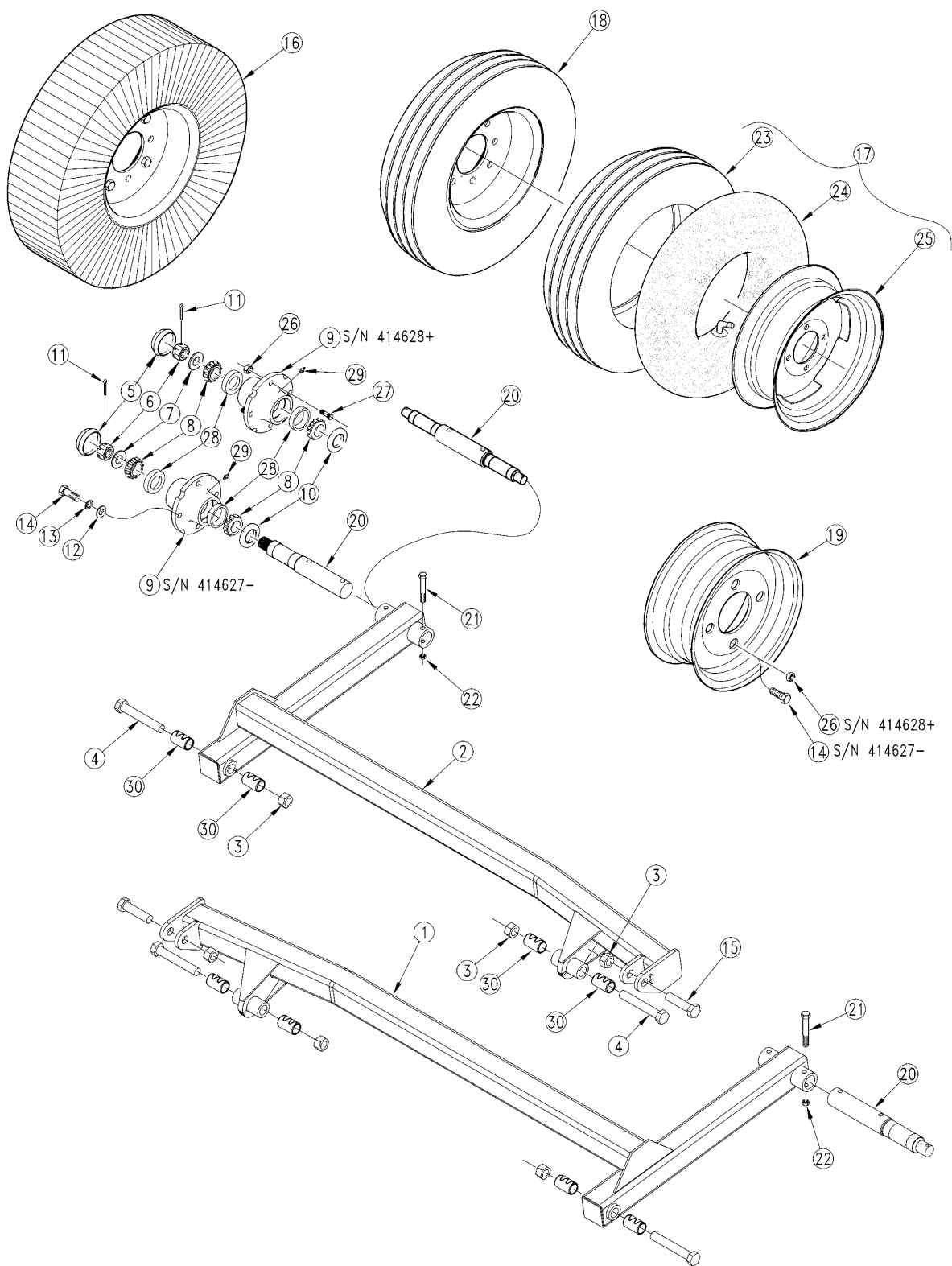
**Axle Center Dual (S/N 488969+)****Applies to RC5020, RCM5020**

<b>Ref</b>	<b>Part No.</b>	<b>Part Description</b>	<b>Comments</b>	<b>Revision</b>
	dwg124858	Drawing Image Number		
1.	200-001D	HUB GREASE CAP		
2.	318-085D	SPACER 1 1/2OD X .234W X 1	S/N 543467-	
3.	318-434H	WLDMT. CENTER AXLE		
4.	800-080C	GREASE ZERK 1/4-28 THD FORMING		
5.	802-099C	HHCS 1/2-13X3 1/4 GR5		
6.	802-779C	HUB STUD 1/2-20X1.88 GR5		
7.	802-783C	HHCS 1-8X9 GR8 PLT	S/N 543468+	
7.	802-110C	HHCS 1-8X9 GR5	S/N 543467-	
8.	802-854C	HHCS 1-8X6 GR8	S/N 543468+	
8.	802-205C	HHCS 1-8X5 1/2 GR5	S/N 543467-	
9.	803-017C	NUT LUG 1/2-20X90DEG PLT 13/16		
10.	803-019C	NUT LOCK 1/2-13 PLT		
11.	803-053C	NUT HEX SLOTTED 3/4-16		
12.	803-258C	NUT HEX FLG LOCK 1-8 GR B PLT	S/N 543468+	
12.	803-168C	NUT HEX TOP LOCK 1-8 PLT	S/N 543467-	
13.	803-310C	NUT HEX 1/2-20 X 5/8 HIGH		
14.	803-316C	NUT HEX SIDE LOCK 1-8 PLT		
15.	804-216C	WASHER HARDENED .81ID		
16.	805-246C	PIN COTTER 5/32 X 1 3/4 LG		
17.	814-265C	TIRE & WHL LAM. 6X9X21(5-BOLT)		
18.	814-284C	WHEEL 15 X 5 X 5 BOLT		
19.	814-286C	AC TIRE 27X7.75X15 5-BOLT		
20.	814-287C	AC TIRE FF 27X7.75X15 5-BOLT		
21.	815-240C	SPINDLE-DUAL BOLT-ON		
22.	815-243C	HUB 5-BOLT W/CUPS/STUDS		
23.	816-497C	SEAL 1.75ID CR17617		
24.	822-020C	BRG CUP LM-67010		
25.	822-021C	BRG CONE 1.25ID LM-67048		
26.	822-033C	BRG CUP LM-48510		
27.	822-034C	BRG CONE LM-48548		
28.	890-766C	BUSHING 1.25ODX1.00IDX3.00		
29.	814-292C	TIRE 27X7.75-15 (814-286C)		
30.	814-293C	TUBE FOR 27X7.75-15(814-286C)		
31.	814-294C	RIM 2PC 5BLT 15X6 BLACK		



**Axle Wing (S/N 488968-)**

**Applies to RC5020, RCM5020**



22100

**Axle Wing (S/N 488968-)****Applies to RC5020, RCM5020**

Ref	Part No.	Part Description	Comments	Revision
	dwg22100	Drawing Image Number		
1.	318-473H	WLDMT. LH. AXLE		
2.	318-452H	WLDMT. RH. AXLE		
3.	803-168C	NUT HEX TOP LOCK 1-8 PLT		
4.	802-357C	HHCS 1-8X6 GR5		
5.	200-001D	HUB GREASE CAP		
6.	803-029C	NUT HEX SLOTTED 7/8-14 PLT		
7.	804-055C	WASHER SPINDLE - 7/8		
8.	822-091C	BEARING CONE 15123		
9.	815-230C	HUB 4 BLT W/CUPS, ZERK & STUDS	(S/N 414628+)	Rev. 2
9.	815-093C	HUB 4 BOLT WHL W/CUPS & ZERK	(S/N 414627-)	Rev. 1
10.	816-098C	SEAL 1 3/8 ID X 2.441 OD X.313		
11.	805-016C	PIN COTTER 3/16 X 1 1/4 PLT		
12.	804-016C	WASHER FLAT 1/2 SAE PLT	Used with #16, 17 & 18 S/N 414627-	
13.	804-015C	WASHER LOCK SPRING 1/2 PLT	Used with #16, 17 & 18 S/N 414627-	
14.	802-326C	HHCS 1/2-20X1 1/4 GR5	Used with #16, 17 & 18 S/N 414627-	
14.	802-104C	BOLT WHEEL 1/2-20X1 90-DEG	Used with #19 S/N 414627-	
15.	802-073C	HHCS 1-8X4 GR5		
16.	814-059C	TIRE & WHEEL LAM. 6X9X21(TALL)		
17.	814-201C	AC TIRE 27X7.75X15 MOUNTED		
18.	814-202C	AC TIRE 27X7.75X15 FOAM FILLED		
19.	814-066C	WHEEL 15 X 5 X 4 BOLT		
20.	815-140C	SPINDLE - SINGLE AXLE BOLT ON		
20.	815-141C	SPINDLE - DUAL AXLE BOLT ON		
21.	802-099C	HHCS 1/2-13X3 1/4 GR5		
22.	803-019C	NUT LOCK 1/2-13 PLT		
23.	814-203C	TIRE 27X7.75-15 (814-201C)		
24.	814-204C	TUBE FOR 27X7.75-15(814-201C)		
25.	814-205C	RIM 2PC.4BLT 15X6 BLACK		
26.	803-308C	NUT HEX FLG/LK 1/2-20 PLT.GR.G	Used with #16, 17 & 18 S/N 414628+	
26.	803-017C	NUT LUG 1/2-20X90DEG PLT 13/16	Used with #19 S/N 414628+	
27.	802-135C	HUB STUD 1/2-20X1 5/8 GR5	In #9 (P/N 815-230C only)	
28.	822-092C	BEARING CUP 15245	In #9	
29.	800-001C	GREASE ZERK STRAIGHT 1/4-28	In #9	
30.	890-771C	BUSHING 1.25ODX1.00IDX2.00		

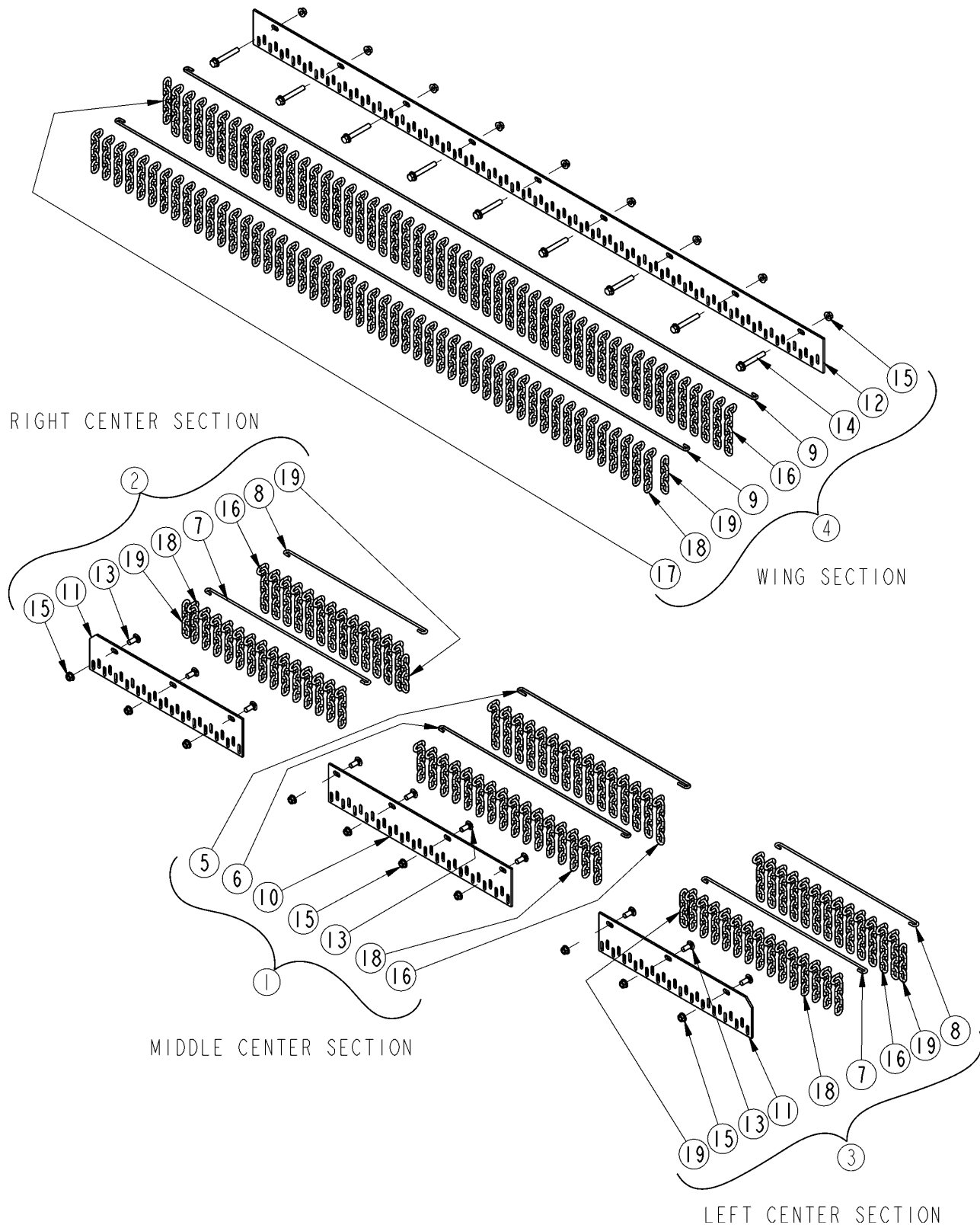


**Axle Wing (S/N 488969+)****Applies to RC5020, RCM5020**

Ref	Part No.	Part Description	Comments	Revision
	dwg23973	Drawing Image Number		
1.	318-473H	WLDMT. LH. AXLE		
2.	318-452H	WLDMT. RH. AXLE		
3.	803-258C	NUT HEX FLG LOCK 1-8 GR B PLT	S/N 543468+	
3.	803-168C	NUT HEX TOP LOCK 1-8 PLT	S/N 543467-	
4.	802-762C	HHCS 1-8X6 1/2 GR8	S/N 543468+	
4.	802-074C	HHCS 1-8X6 1/2 GR5	S/N 543467-	
5.	200-001D	HUB GREASE CAP		
6.	803-053C	NUT HEX SLOTTED 3/4-16		
7.	804-216C	WASHER HARDENED .81ID		
8.	822-021C	BEARING CONE LM-67048		
9.	815-243C	HUB 5-BOLT W/CUPS/STUDS		
10.	816-497C	SEAL 1.75ID CR17617		
11.	805-016C	PIN COTTER 3/16 X 1 1/4 PLT		
12.	802-680C	HHCS 1-8 X 4 1/2 PLT GR8	S/N 543468+	
12.	802-073C	HHCS 1-8X4 GR5	S/N 543467-	
13.	814-265C	TIRE & WHL LAM. 6X9X21(5-BOLT)		
14.	814-286C	AC TIRE 27X7.75X15 5-BOLT		
15.	814-287C	AC TIRE FF 27X7.75X15 5-BOLT		
16.	814-284C	WHEEL 15 X 5 X 5 BOLT		
17.	815-240C	SPINDLE-DUAL BOLT-ON		
17.	815-239C	SPINDLE-SINGLE BOLT-ON		
18.	802-099C	HHCS 1/2-13X3 1/4 GR5		
19.	803-019C	NUT LOCK 1/2-13 PLT		
20.	814-292C	TIRE 27X7.75-15 (814-286C)		
21.	814-293C	TUBE FOR 27X7.75-15(814-286C)		
22.	814-294C	RIM 2PC 5BLT 15X6 BLACK		
23.	803-308C	NUT HEX FLG/LK 1/2-20 PLT.GR.G		
24.	802-779C	HUB STUD 1/2-20X1.88 GR5		
25.	822-092C	BEARING CUP 15245		
26.	800-080C	GREASE ZERK 1/4-28 THD FORMING		
27.	890-771C	BUSHING 1.25ODX1.00IDX2.00		
28.	803-017C	NUT LUG 1/2-20X90DEG PLT 13/16		
29.	822-033C	BEARING CUP LM-48510		
30.	822-034C	BEARING CONE LM-48548		
31.	802-316C	NUT HEX SIDE LOCK 1-8 PLT		

# Chain Guard, Complete Front Double Row (318-482A)

Applies to RC5020, RCM5020



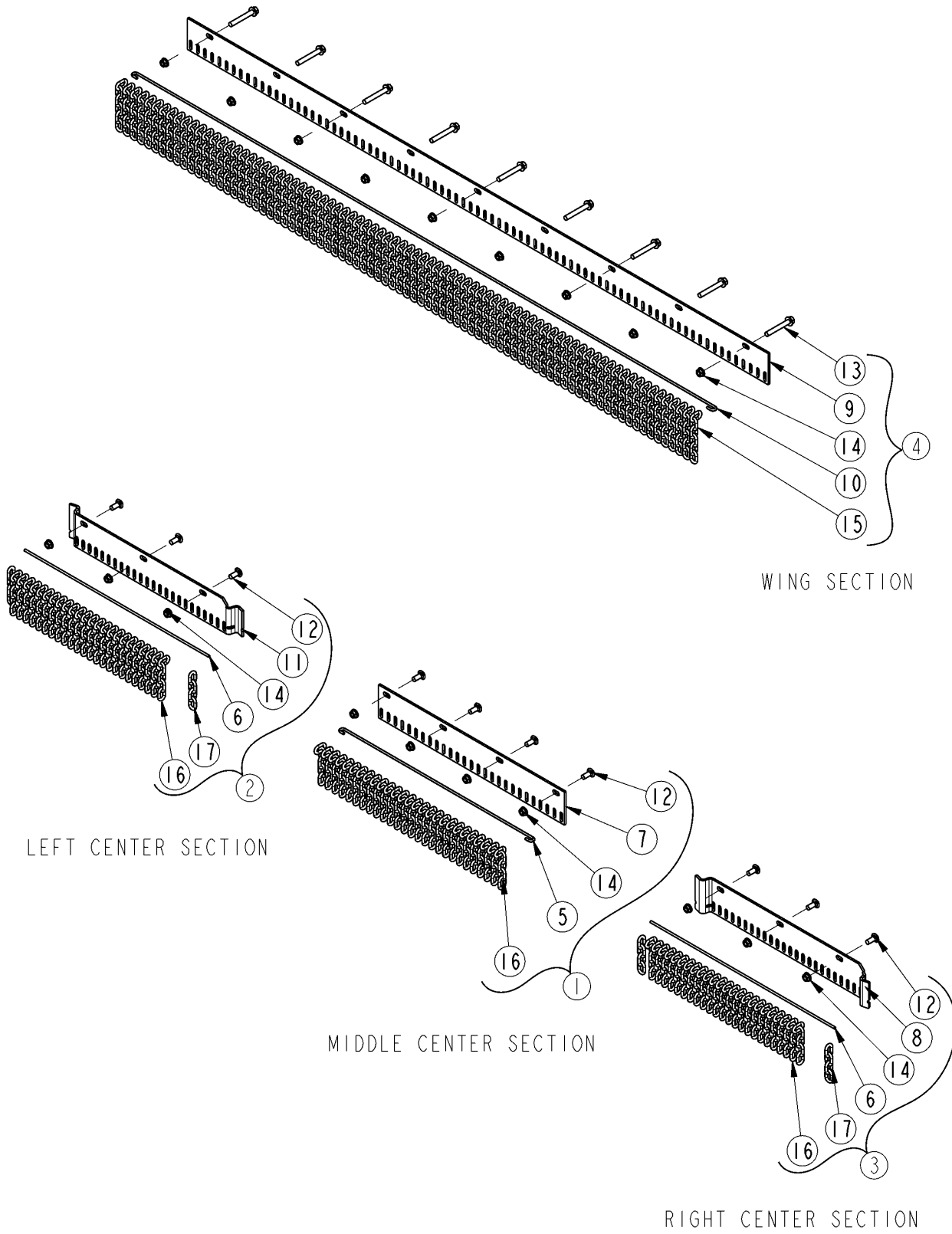
22104

**Chain Guard, Complete Front Double Row (318-482A)****Applies to RC5020, RCM5020**

<b>Ref</b>	<b>Part No.</b>	<b>Part Description</b>	<b>Comments</b>	<b>Revision</b>
	dwg22104	Drawing Image Number		
	318-482A	FRONT DOUBLE CHAIN GUARDS		
1.	318-509K	ASSEMBLY FRONT DOUBLE CHAINGUARD CENTER		
2.	318-510K	ASSEMBLY FRONT DOUBLE CHAINGUARD CENTER RH.		
3.	318-511K	ASSEMBLY FRONT DOUBLE CHAINGUARD CENTER LH.		
4.	318-512K	ASSEMBLY FRONT DOUBLE CHAINGUARD WING		
5.	312-891D	ROUND ROD 1/4 X 30 1/2		
6.	316-096D	CHAIN HANGER ROD - 32 1/2 LG		
7.	318-106D	ROUND ROD 1/4 X 28 1/2		
8.	318-337D	ROUND ROD 1/4 X 25		
9.	318-476D	ROUND ROD .25 X 94		
10.	318-486D	FRONT DOUBLE CHAINGUARD CENTER BRACKET		
11.	318-487D	FRONT DOUBLE CHAINGUARD CENTER OUTSIDE BRACKET		
12.	318-488D	FRONT DOUBLE CHAINGUARD WING BRACKET		
13.	802-214C	RHSNB 1/2-13X1 1/4 GR5		
14.	802-658C	HFS 1/2-13 X 3 1/2 GR5/8		
15.	803-037C	NUT HEX WHIZ 1/2-13 PLT		
16.	890-175C	CHAIN 5/16 PROOF X 6 LINKS PLT		
17.	890-341C	CHAIN WELD 5/16 PROOF X 5 LINK		
18.	890-341C	CHAIN WELD 5/16 PROOF X 5 LINK		
19.	890-400C	CHAIN WELD 5/16 PROOF X 4 LINK		

# Chain Guard, Complete Front Single Row (318-439A)

Applies to RC5020, RCM5020



22102

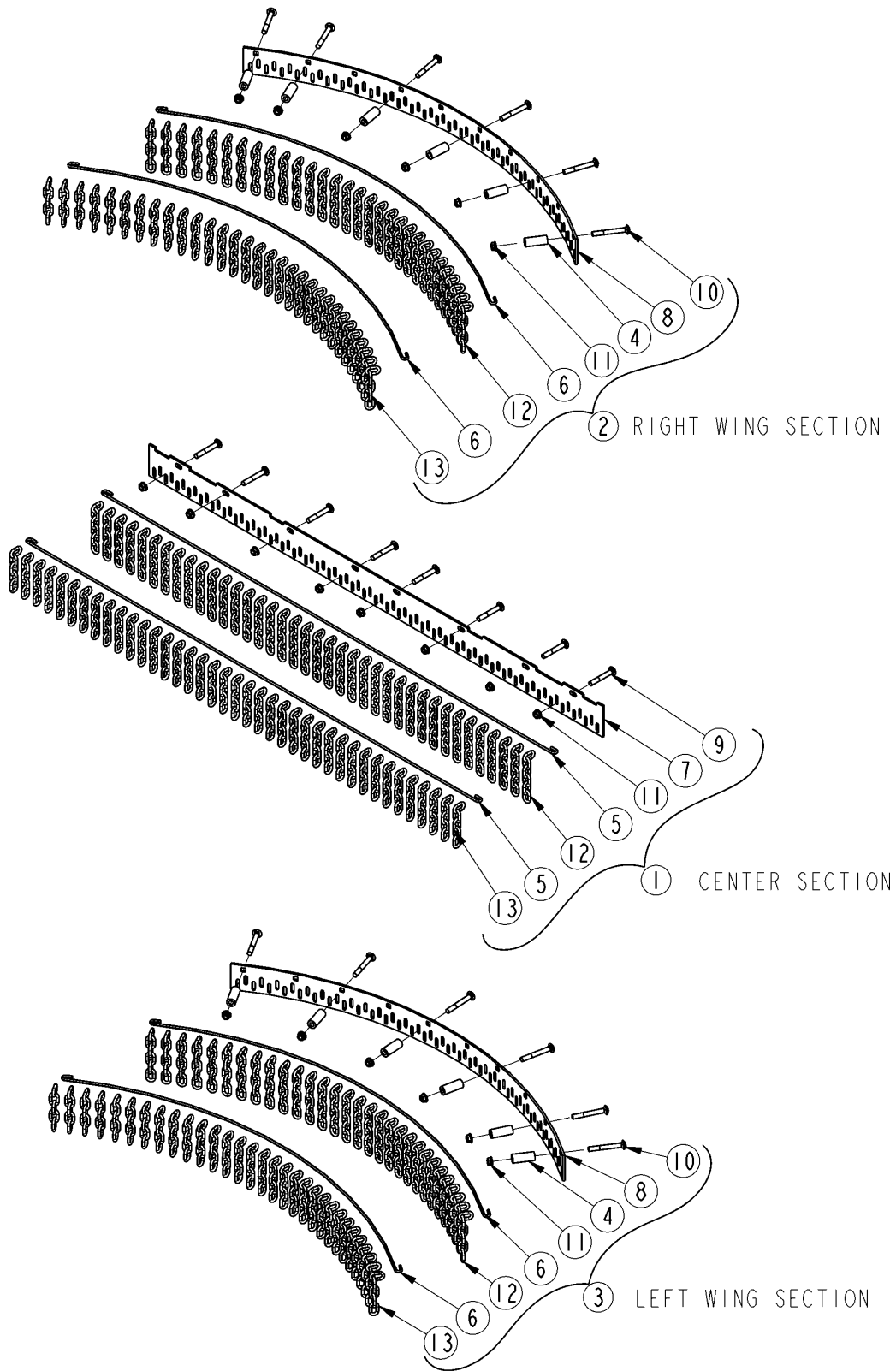
**Chain Guard, Complete Front Single Row (318-439A)****Applies to RC5020, RCM5020**

Ref	Part No.	Part Description	Comments	Revision
	dwg22102	Drawing Image Number		
	318-439A	FRONT SINGLE CHAINGUARD		
1.	318-441K	FRONT SINGLE CHAINGUARD CENTER		
2.	318-442K	FRONT SINGLE CHAINGUARD CENTER RH.		
3.	318-443K	FRONT SINGLE CHAINGUARD CENTER LH.		
4.	318-444K	FRONT SINGLE CHAINGUARD WING		
5.	316-096D	CHAIN HANGER ROD - 32 1/2 LG		
6.	318-106D	ROUND ROD 1/4 X 28 1/2		
7.	318-407D	FRONT SINGLE CHAINGUARD CENTER BRACKET		
8.	318-408D	FRT. SGL. CG. CTR. OUTER LH	S/N 521764+ Added Bends on Ends	
9.	318-410D	FRONT SINGLE CHAINGUARD WING BRACKET		
10.	318-476D	ROUND ROD .25 X 94		
11.	318-774D	FRT. SGL. CG. CTR. OUTER RH	S/N 521764+ Added Part	
12.	802-214C	RHSNB 1/2-13X1 1/4 GR5		
13.	802-658C	HFS 1/2-13 X 3 1/2 GR5/8		
14.	803-037C	NUT HEX WHIZ 1/2-13 PLT		
15.	890-175C	CHAIN 5/16 PROOF X 6 LINKS PLT		
16.	890-341C	CHAIN WELD 5/16 PROOF X 5 LINK		
17.	890-400C	CHAIN WELD 5/16 PROOF X 4 LINK		



# Chain Guard, Complete Rear Double Row (318-484A)

Applies to RC5020, RCM5020



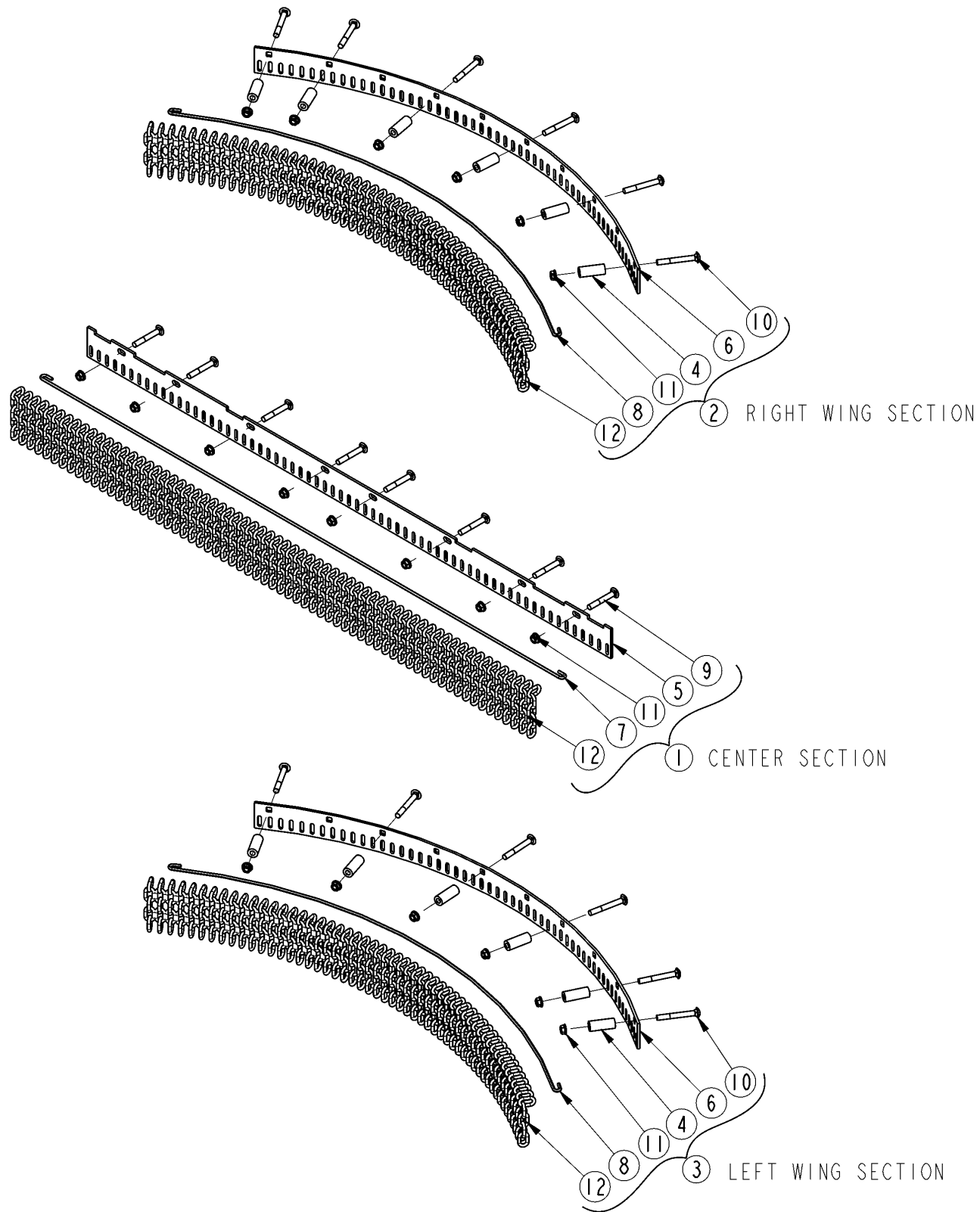
22105

**Chain Guard, Complete Rear Double Row (318-484A)****Applies to RC5020, RCM5020**

<b>Ref</b>	<b>Part No.</b>	<b>Part Description</b>	<b>Comments</b>	<b>Revision</b>
	dwg22105	Drawing Image Number		
	318-484A	REAR DOUBLE CHAIN GUARDS		
1.	318-513K	ASSEMBLY REAR DOUBLE CHAINGUARD CENTER		
2.	318-514K	ASSEMBLY REAR DOUBLE CHAINGUARD WING RH.		
3.	318-515K	ASSEMBLY REAR DOUBLE CHAINGUARD WING LH.		
4.	312-948D	DEFLECTOR SPACER		
5.	318-477D	ROUND ROD .25 X 74.50		
6.	318-478D	ROUND ROD .25 X 59		
7.	318-489D	REAR DOUBLE CHAINGUARD CENTER BRACKET		
8.	318-490D	REAR DOUBLE CHAINGUARD WING BRACKET		
9.	802-585C	RHSNB 1/2-13X3 1/2 GR5 PLT		
10.	802-707C	RHSNB 1/2-13X4 GR5 PLT		
11.	803-037C	NUT HEX WHIZ 1/2-13 PLT		
12.	890-175C	CHAIN 5/16 PROOF X 6 LINKS PLT		
13.	890-341C	CHAIN WELD 5/16 PROOF X 5 LINK		

# Chain Guard, Complete Rear Single Row (318-440A)

Applies to RC5020, RCM5020



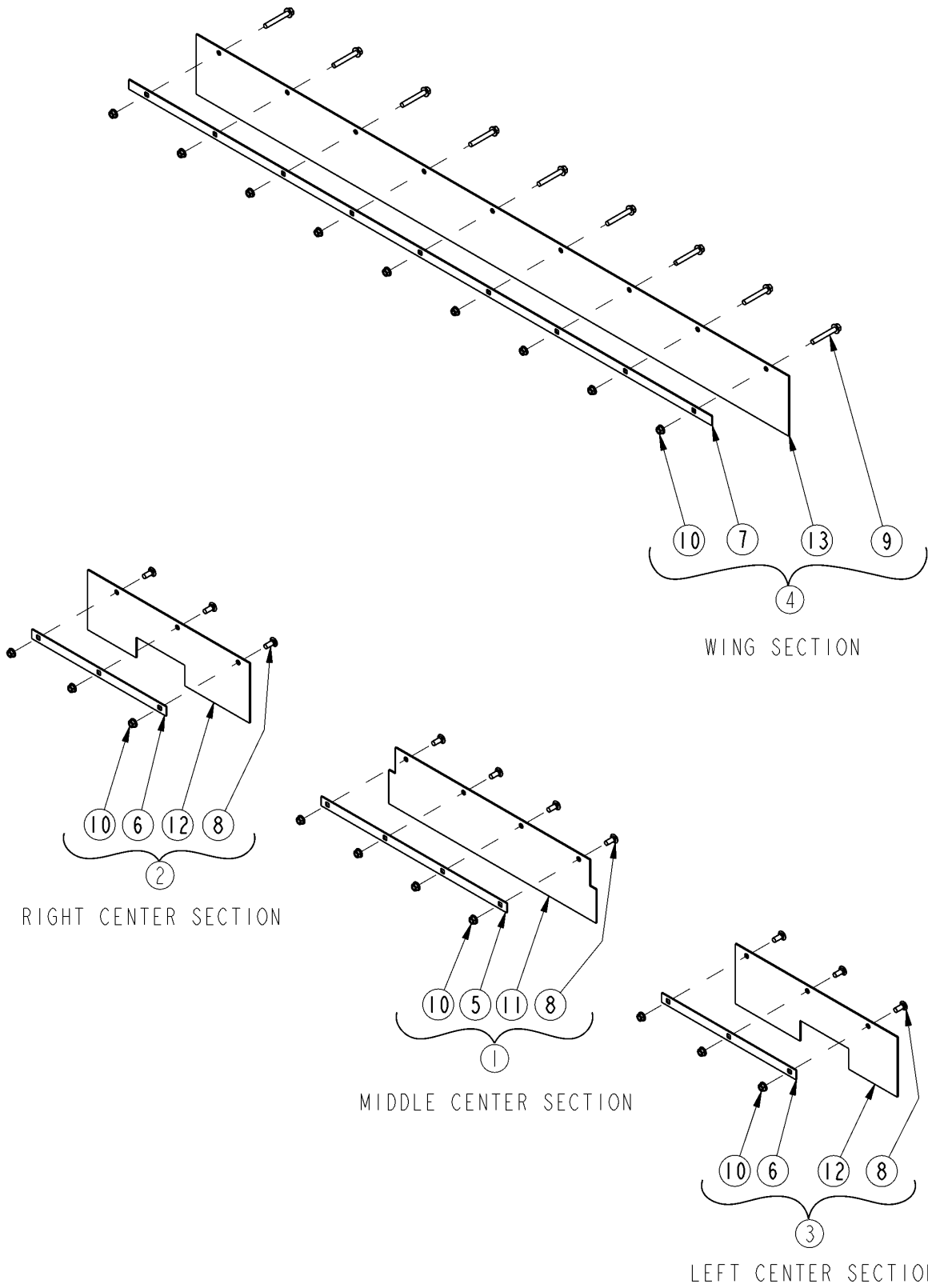
22103

**Chain Guard, Complete Rear Single Row (318-440A)****Applies to RC5020, RCM5020**

<b>Ref</b>	<b>Part No.</b>	<b>Part Description</b>	<b>Comments</b>	<b>Revision</b>
	dwg22103	Drawing Image Number		
	318-440A	REAR SINGLE CHAINGUARD		
1.	318-490K	ASSEMBLY SINGLE CHAINGUARD REAR CENTER		
2.	318-491K	ASSEMBLY SINGLE CHAINGUARD REAR WING RH.		
3.	318-500K	ASSEMBLY SINGLE CHAINGUARD REAR WING LH.		
4.	312-948D	DEFLECTOR SPACER		
5.	318-470D	REAR CENTER CHAIN GUARD		
6.	318-471D	REAR WING SINGLE CHAIN GUARD		
7.	318-477D	ROUND ROD .25 X 74.50		
8.	318-478D	ROUND ROD .25 X 59		
9.	802-585C	RHSNB 1/2-13X3 1/2 GR5 PLT		
10.	802-707C	RHSNB 1/2-13X4 GR5 PLT		
11.	803-037C	NUT HEX WHIZ 1/2-13 PLT		
12.	890-341C	CHAIN WELD 5/16 PROOF X 5 LINK		

# Guards Rubber Front (318-481A)

Applies to RC5020, RCM5020



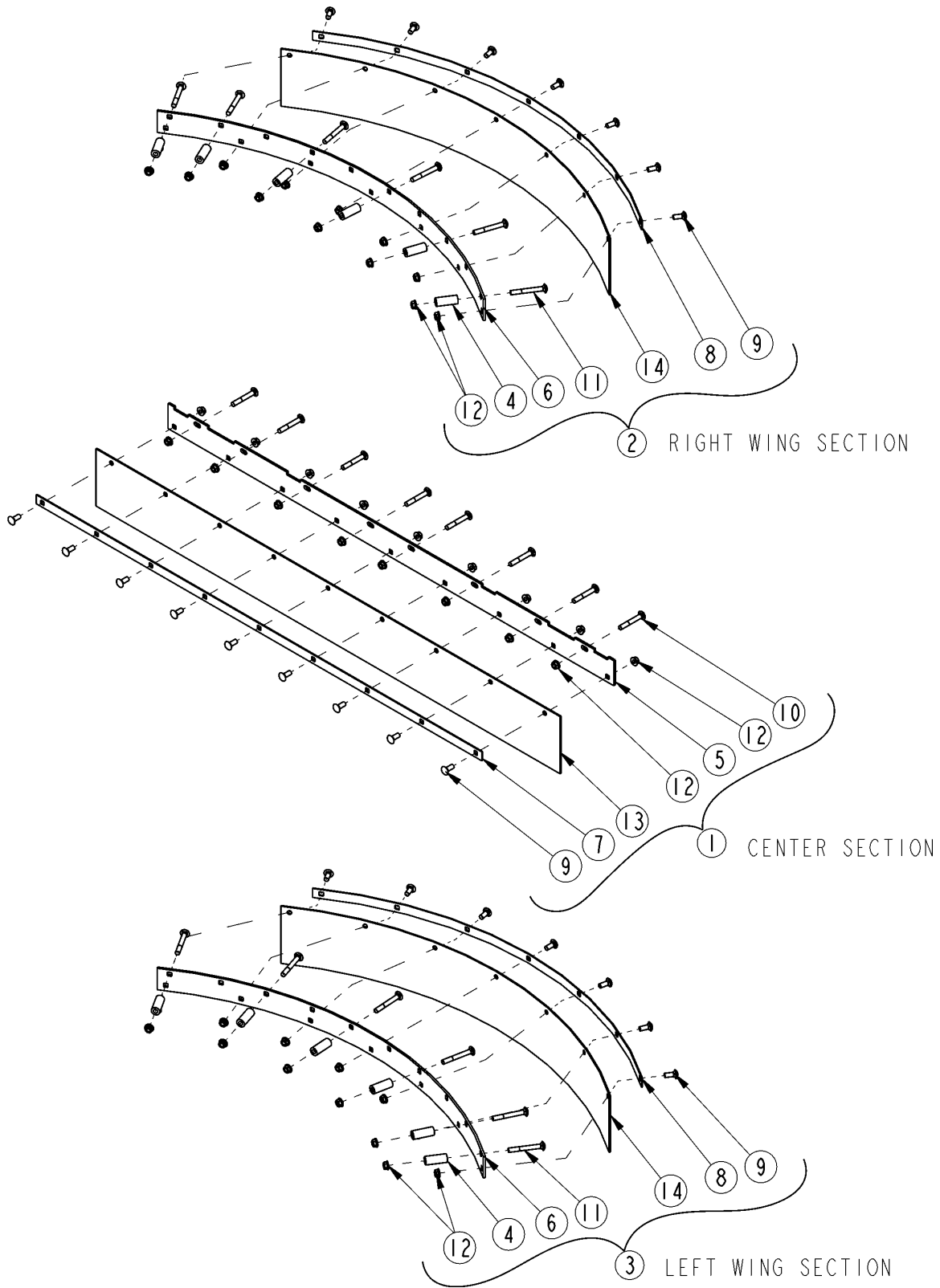
22106

**Guards Rubber Front (318-481A)****Applies to RC5020, RCM5020**

<b>Ref</b>	<b>Part No.</b>	<b>Part Description</b>	<b>Comments</b>	<b>Revision</b>
	dwg22106	Drawing Image Number		
	318-481A	FRONT RUBBER DEFLECTORS		
1.	318-501K	ASSEMBLY FRONT CENTER DEFLECTOR		
2.	318-502K	ASSEMBLY FRONT CENTER OUTSIDE RH. DEVLECTOR		
3.	318-503K	ASSEMBLY FRONT CENTER OUTSIDE LH. DEVLECTOR		
4.	318-505K	ASSEMBLY FRONT WING DEFLECTOR		
5.	318-479D	DEFLECTOR STRAP FRONT CENTER		
6.	318-480D	DEFLECTOR STRAP FRONT CENTER OUTSIDE		
7.	318-481D	DEFLECTOR STRAP FRONT WING		
8.	802-214C	RHSNB 1/2-13X1 1/4 GR5		
9.	802-658C	HFS 1/2-13 X 3 1/2 GR5/8		
10.	803-037C	NUT HEX WHIZ 1/2-13 PLT		
11.	816-389C	RUBBER DEFLECTOR FRONT CENTER		
12.	816-390C	RUBBER DEVLECTOR FRONT CENTER OUTSIDE		
13.	816-391C	RUBBER DEVLECTOR FRONT WING		

# Guards Rubber Rear (318-483A)

Applies to RC5020, RCM5020



22107

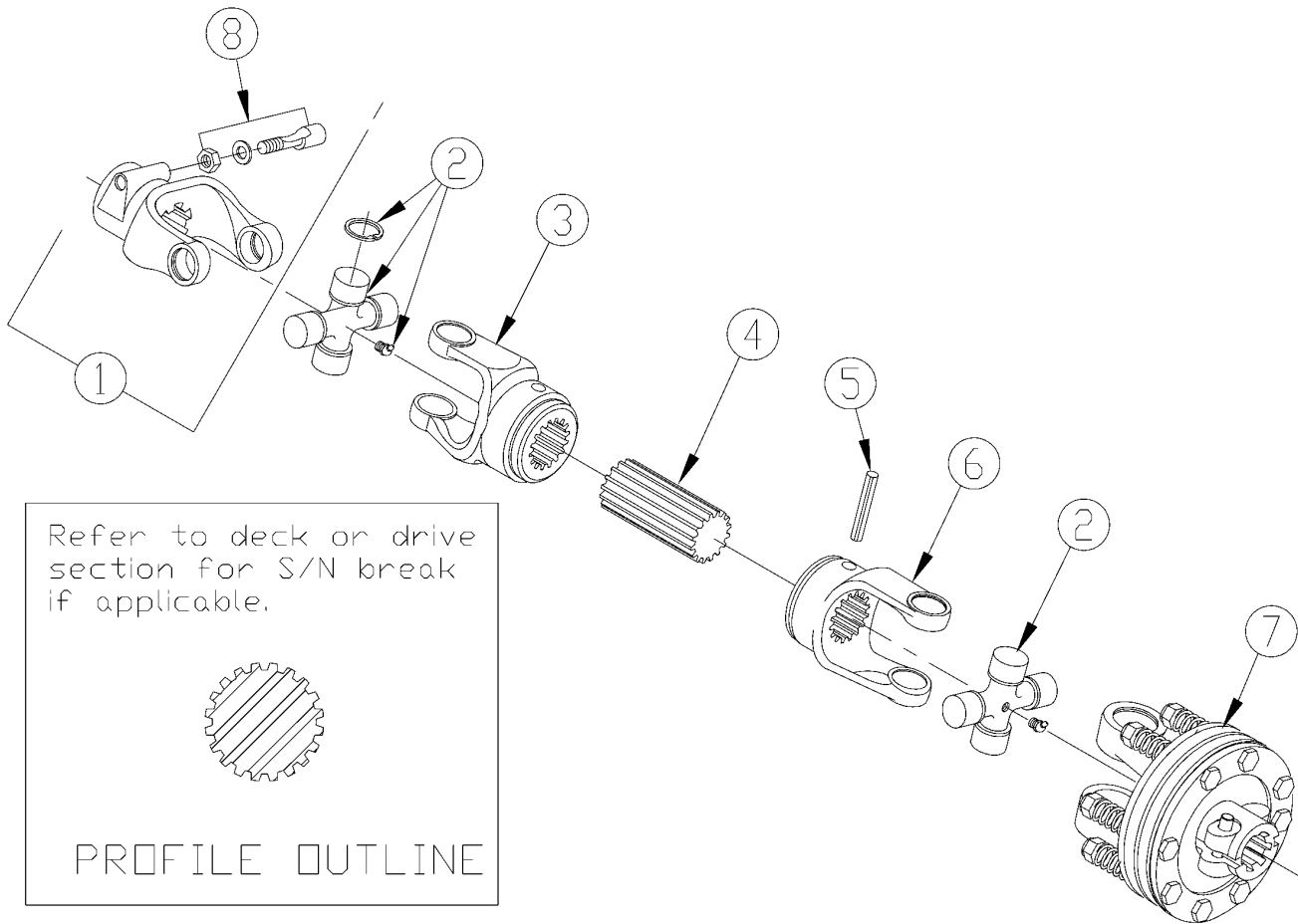
**Guards Rubber Rear (318-483A)****Applies to RC5020, RCM5020**

<b>Ref</b>	<b>Part No.</b>	<b>Part Description</b>	<b>Comments</b>	<b>Revision</b>
	dwg22107	Drawing Image Number		
	318-483A	REAR DEFLECTOR SKIRT		
1.	318-506K	ASSEMBLY CENTER REAR DEFLECTOR		
2.	318-507K	ASSEMBLY WING RH. REAR DEFLECTOR		
3.	318-508K	ASSEMBLY WING LH. REAR DEFLECTOR		
4.	312-948D	DEFLECTOR SPACER		
5.	318-482D	REAR CENTER DEFLECTOR BRACKET		
6.	318-483D	REAR WING DEFLECTOR BRACKET		
7.	318-484D	DEFLECTOR STRAP REAR CENTER		
8.	318-485D	DEFLECTOR STRAP REAR WING		
9.	802-214C	RHSNB 1/2-13X1 1/4 GR5		
10.	802-585C	RHSNB 1/2-13X3 1/2 GR5 PLT		
11.	802-707C	RHSNB 1/2-13X4 GR5 PLT		
12.	803-037C	NUT HEX WHIZ 1/2-13 PLT		
13.	816-392C	RUBBER DEFLECTOR REAR CENTER		
14.	816-393C	RUBBER DEFLECTOR REAR WING		



# Driveline Center (826-495C) Comer

Applies to RCM5020



***Driveline Center (826-495C) Comer***

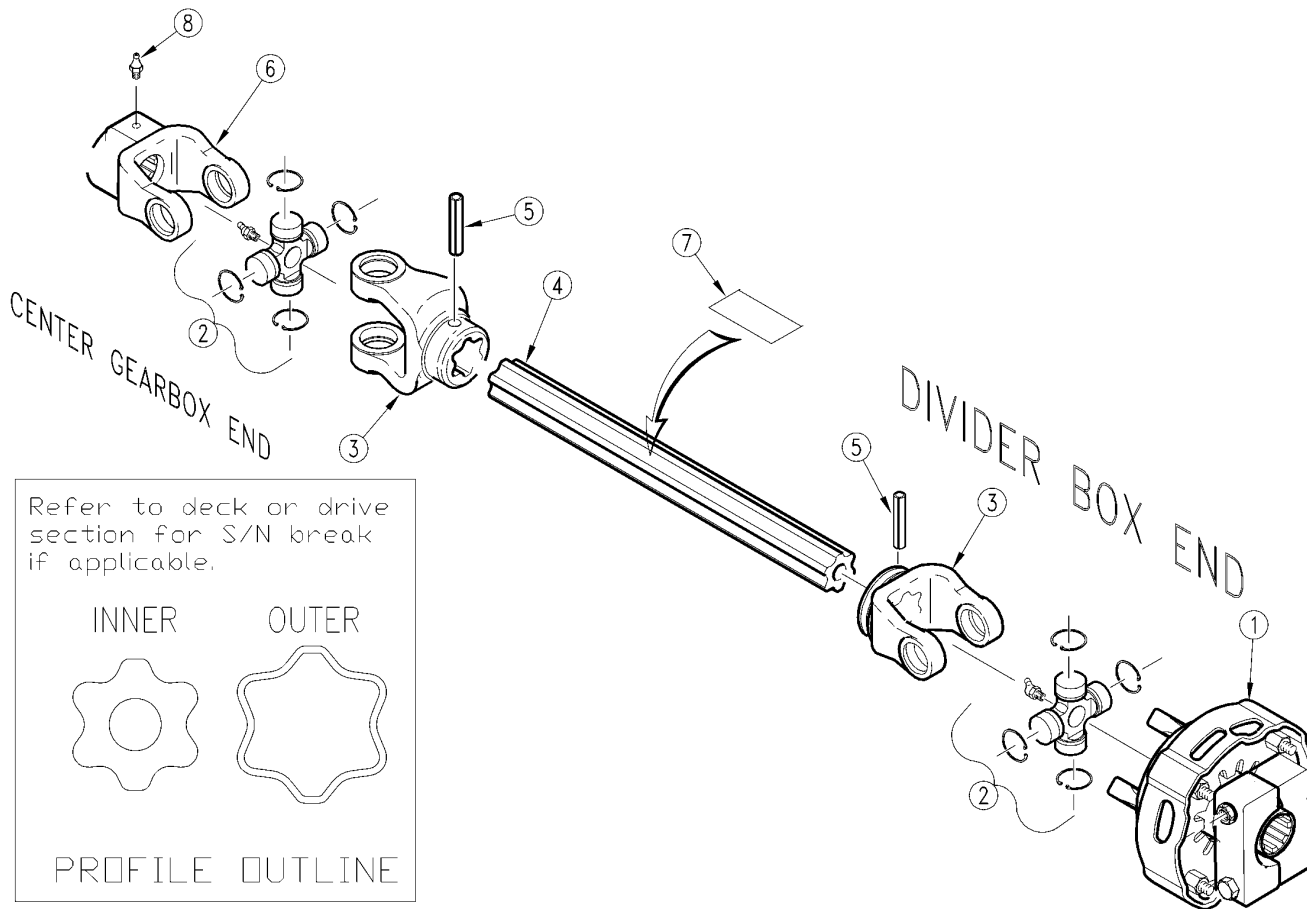
---

**Applies to RCM5020**

<b>Ref</b>	<b>Part No.</b>	<b>Part Description</b>	<b>Comments</b>	<b>Revision</b>
	dwg23955	Drawing Image Number		
	826-495C	PTO E60 X 27.44 1280NM CLUTCH		
1.	141.026.357.1	COMER YOKE COMPLETE		
2.	180.016.130	COMER CROSS ASSEMBLY		
3.	170.016.630.1	COMER YOKE, OUTER		
4.	155.150.724	COMER SHAFT, SPLINED		
5.	190.000.016	COMER ROLL PIN, INNER TUBE		
6.	151.016.031.1	COMER INNER YOKE		
7.	146.264.024.1	COMER CLUTCH, COMPLETE ASSY		
8.	165.000.589	COMER TAPERED PIN SET 1 3/4		

# Driveline Center 1000 RPM (826-423C) Walterscheid

Applies to RCM5020



***Driveline Center 1000 RPM (826-423C) Walterscheid***

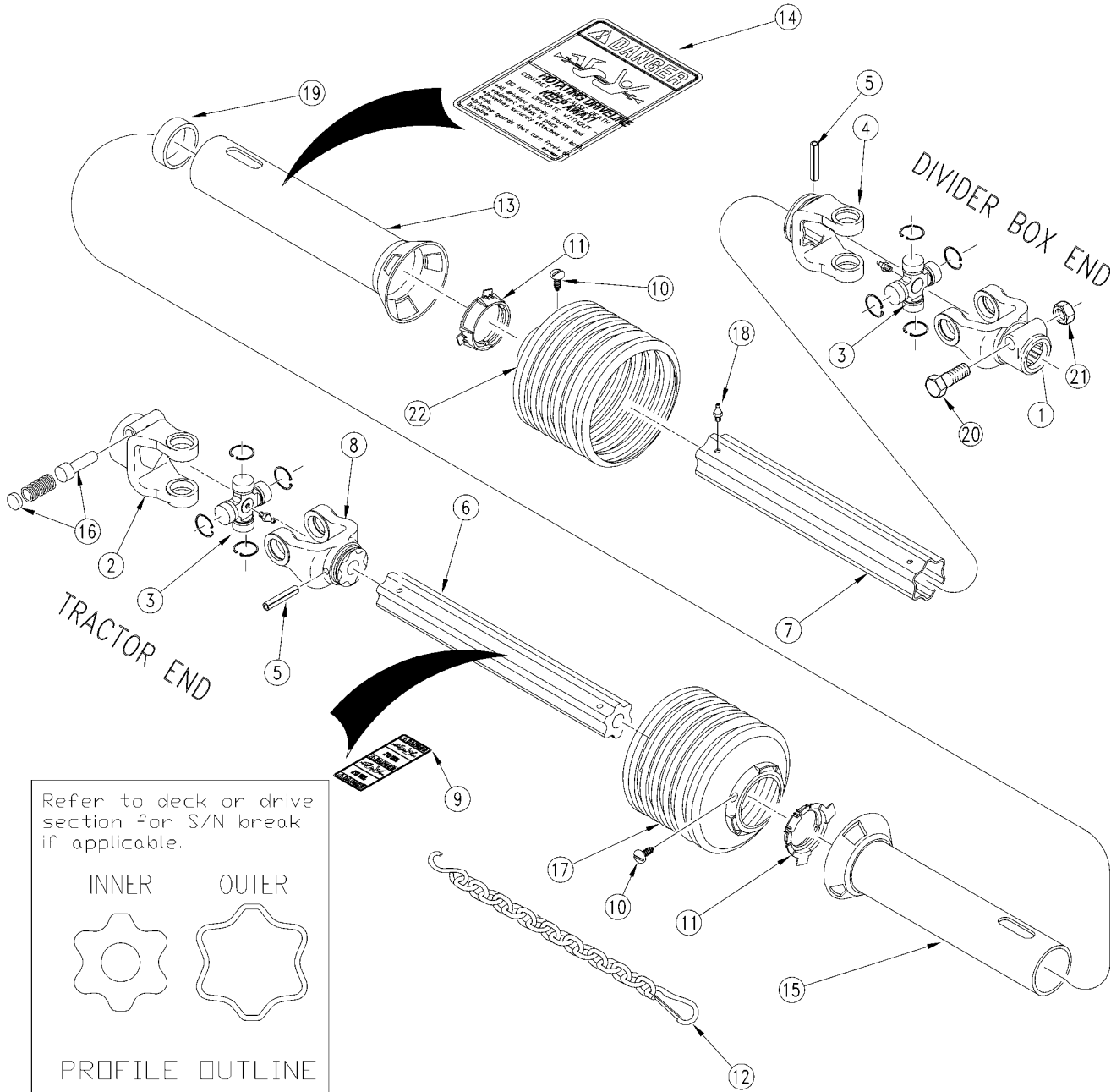
---

**Applies to RCM5020**

<b>Ref</b>	<b>Part No.</b>	<b>Part Description</b>	<b>Comments</b>	<b>Revision</b>
	dwg22111	Drawing Image Number		
	826-423C	PTO INT. W2500/WSC CAT5 1000		
1.	394582	WS. FRICTION CLUTCH		
2.	312209	WS CROSS & BEARING KIT 2500		
3.	097140	WS INBOARD YOKE 2500		
4.	111664	OUTER PROFILE S5		
5.	304046	WS SPRING PIN 10 X 90		
6.	394581	EC YOKE 1.75-20 SPL. HT.		
7.	383334	REP BY 818-540C	IN ITEM 4	
8.	304263	EC ZERK	IN ITEM 6	

# Driveline Conv. 1000 RPM (826-247C) Walterscheid

Applies to RCM5020



**Driveline Conv. 1000 RPM (826-247C) Walterscheid**

---

**Applies to RCM5020**

<b>Ref</b>	<b>Part No.</b>	<b>Part Description</b>	<b>Comments</b>	<b>Revision</b>
	dwg18548	Drawing Image Number		
	826-247C	PTO 2500 CAT.5 1000 1 3/8-21		
1.	325027	WS YOKE 1 3/4-20 SPL.I.C. 2500		
2.	362430	WS YOKE 1 3/8-21 SPL. AS		
3.	312209	WS CROSS & BEARING KIT 2500		
4.	097140	WS INBOARD YOKE 2500		
5.	304046	WS SPRING PIN 10 X 90		
6.	333645	WS INNER PROFILE S4		
7.	387768	WS PROFILE & SLEEVE W.A.		
8.	097133	WS INBOARD YOKE 2400		
9.	818-540C	DECAL DANGER GUARD MISS PTO		
10.	365305	WALTERSCHEID SCREW		
11.	087276	WS BEARING RING - SC25		
12.	044321	WALTERSCHEID SAFETY CHAIN		
13.	391409	WS OUTER SHIELD TUBE OVAL		
14.	818-552C	DECAL DANGER PTO DRIVELINE		
15.	391410	WS INNER SHIELD TUBE RND.		
16.	364915	WS ASSY COLLAR KIT		
17.	377437	WS SHIELD CONE 7 RIB		
18.	380371	WS ZERK		
19.	355155	WS SUPPORT BEARING		
20.	702352	WS HEX BOLT M16 X 90 GR 8.8		
21.	304011	WS LOCK NUT M16		
22.	377437	WS SHIELD CONE 7 RIB		



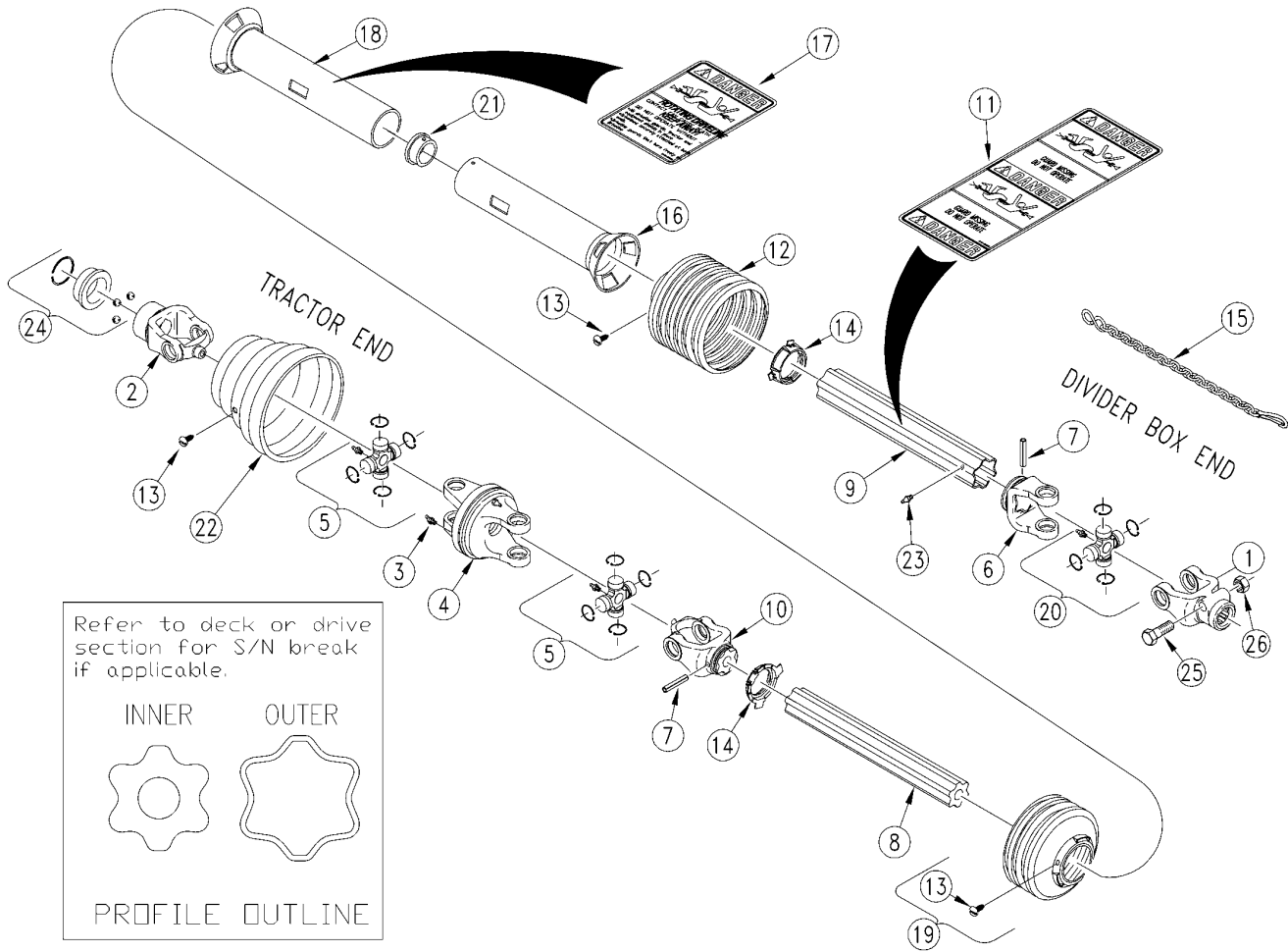
**Driveline CV 1000 RPM (826-244C) Walterscheid (S/N 468225-)****Applies to RCM5020**

<b>Ref</b>	<b>Part No.</b>	<b>Part Description</b>	<b>Comments</b>	<b>Revision</b>
	dwg14067 826-244C	Drawing Image Number RPBY 826-477C *	Category 5	
1.	325027	WS YOKE 1 3/4-20 SPL.I.C. 2500		
2.	363696	WS YOKE 1 3/8-21 SPL. AS		
3.	020672	WS GREASE ZERK		
4.	365725	WS DOUBLE YOKE 2500		
5.	384316	WS CROSS & BEARING KIT 2500		
6.	097140	WS INBOARD YOKE 2500		
7.	304046	WS SPRING PIN 10 X 90		
8.	381367	WS IN PROF S4GA (330162) 840MM		
9.	388204	WS PROF&SLV W.A. 830MM		
10.	331573	WS INBOARD YOKE S4		
11.	818-540C	DECAL DANGER GUARD MISS PTO		
12.	377442	WS SHIELD CONE - 12 RIB		
13.	365305	WALTERSCHEID SCREW		
14.	087276	WS BEARING RING - SC25		
15.	044321	WALTERSCHEID SAFETY CHAIN		
16.	387097	WS IN SHIELD RND (391410)750MM		
17.	818-552C	DECAL DANGER PTO DRIVELINE		
18.	391406	WS OUT SHLD OVL (391409) 755MM		
19.	104810	WS SHIELD CONE 4 RIB		
20.	312209	WS CROSS & BEARING KIT 2500		
21.	355155	WS SUPPORT BEARING		
22.	386048	WS CV CONE & BEARING ASSY		
23.	380371	WS ZERK		
24.	364915	WS ASSY COLLAR KIT		
25.	702352	WS HEX BOLT M16 X 90 GR 8.8		
26.	304011	WS LOCK NUT M16		



# Driveline CV 1000 RPM (826-245C) Walterscheid (S/N 488896-)

Applies to RCM5020



**Driveline CV 1000 RPM (826-245C) Walterscheid (S/N 488896-)**

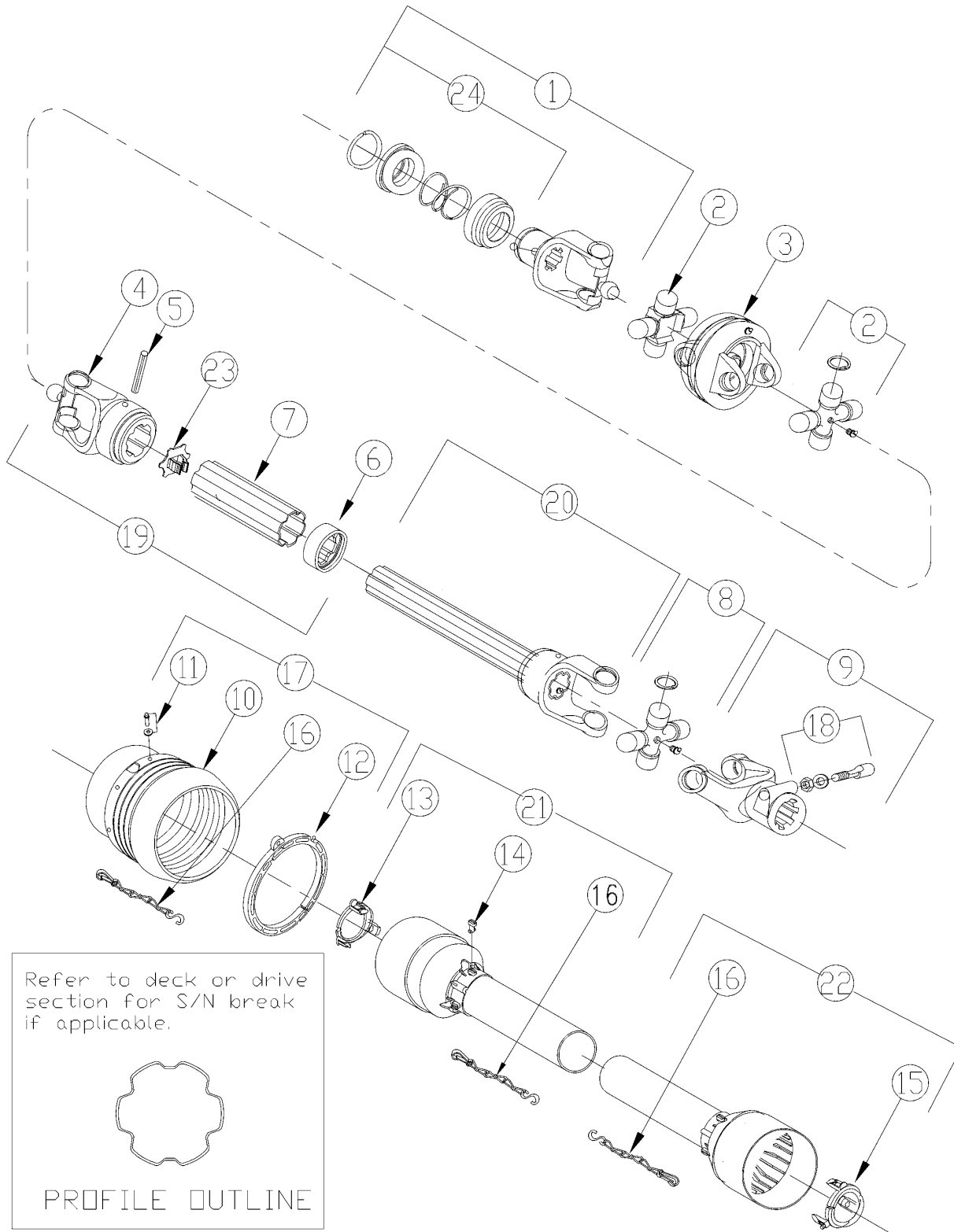
---

**Applies to RCM5020**

<b>Ref</b>	<b>Part No.</b>	<b>Part Description</b>	<b>Comments</b>	<b>Revision</b>
	dwg14067	Drawing Image Number		
	826-245C	PTO CV 2580 CAT5 1000 1 3/4-20		
1.	325027	WS YOKE 1 3/4-20 SPL.I.C. 2500		
2.	363729	WS CV YOKE 1 3/4-20 SPL		
3.	020672	WS GREASE ZERK		
4.	365725	WS DOUBLE YOKE 2500		
5.	384316	WS CROSS & BEARING KIT 2500		
6.	097140	WS INBOARD YOKE 2500		
7.	304046	WS SPRING PIN 10 X 90		
8.	330162	WS INNER PROFILE		
9.	387723	WS PROFILE & SLEEVE W.A.		
10.	331573	WS INBOARD YOKE S4		
11.	818-540C	DECAL DANGER GUARD MISS PTO		
12.	377442	WS SHIELD CONE - 12 RIB		
13.	365305	WS SCREW		
14.	087276	WS BEARING RING - SC25		
15.	044321	DRIVELINE SHIELD SAFETY CHAIN		
16.	386560	WS INNER SHIELD TUBE RND.		
17.	818-552C	DECAL DANGER PTO DRIVELINE		
18.	391639	WS OUTER SHIELD TUBE OVL.		
19.	104810	WS SHIELD CONE 4 RIB		
20.	312209	WS CROSS & BEARING KIT 2500		
21.	355155	WS SUPPORT BEARING		
22.	386048	WS CV CONE & BEARING ASSY		
23.	380371	WS ZERK		
24.	364915	WS ASSY COLLAR KIT		
25.	702352	WS HEX BOLT M16 X 90 GR 8.8		
26.	304011	WS LOCK NUT M16		

**Driveline CV 1000 RPM (826-477C) 1 3/8-21 Comer (S/N 468226 to 547835)**

Applies to RCM5020



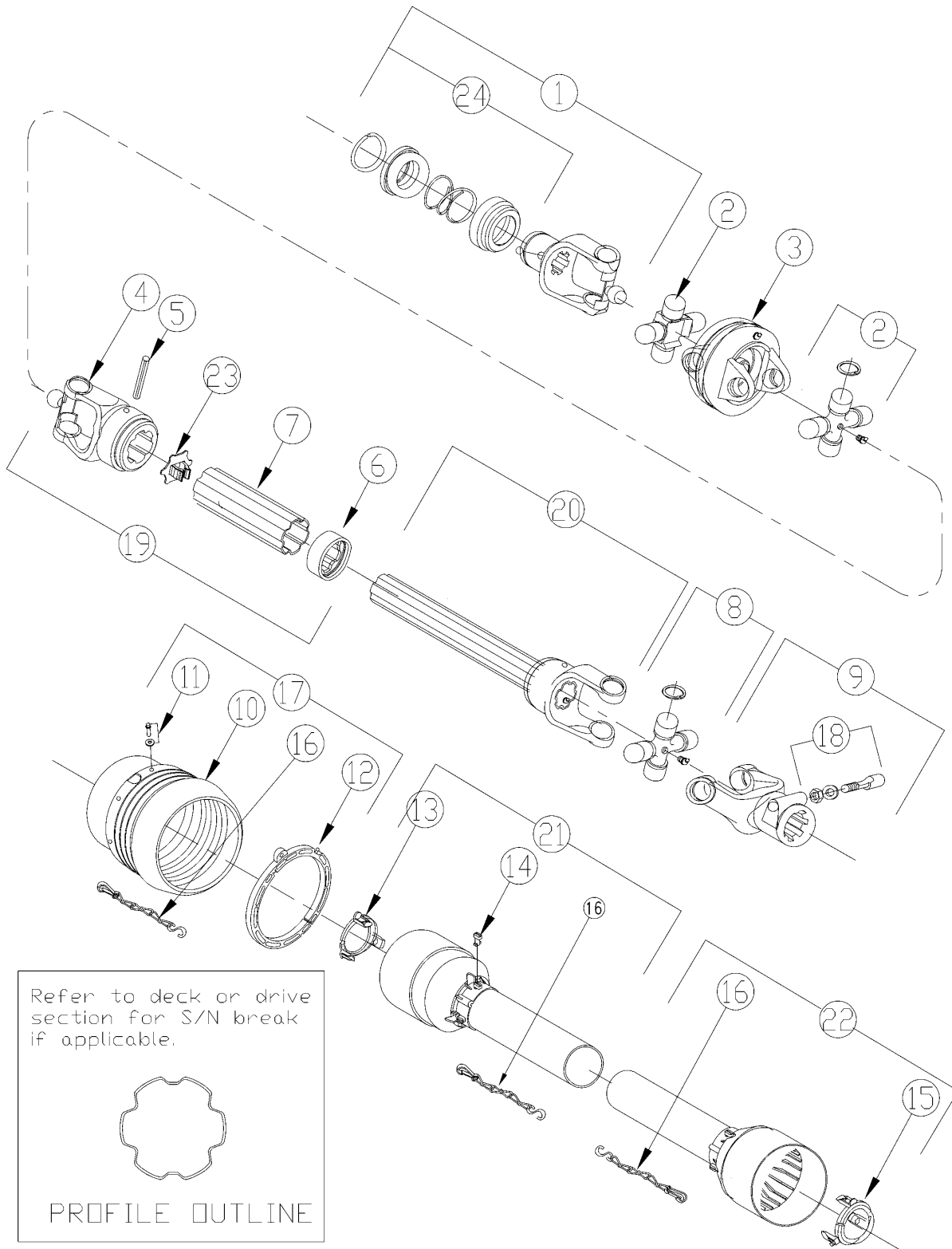
23948

**Driveline CV 1000 RPM (826-477C) 1 3/8-21 Comer (S/N 468226 to 547835)****Applies to RCM5020**

Ref	Part No.	Part Description	Comments	Revision
	dwg23948	Drawing Image Number		
	826-477C	PTO CV V80X56.8 NO/CL 1 3/8-21 *		
1.	141.028.359.1	COMER CV-JOINT YOKE COLLER		
2.	180.018.158	COMER CV -JOINT CROSS ASSEMBLY		
3.	141.028.472.1	COMER WIDE ANGLE DOUBLE YOKE		
4.	141.028.248.1	COMER OUTER YOKE		
5.	190.000.243	COMER OUTER TUBE ROLL PIN		
6.	180.018.437	COMER WIPER		
7.	1522805260710	COMER OUTER TUBE COMPLETE		
8.	180.018.004	COMER CROSS ASSEMBLY		
9.	141.028.195.1	COMER YOKE COMPLETE		
10.	180.018.567	COMER CV JOINT GUARD CONE		
11.	165.000.694	COMER SCREW KIT FOR CV GUARD		
12.	158.018.470	COMER BEARING RING		
13.	180.018.251	COMER RETAINING COLLER INNER		
14.	180.014.240	COMER BOLT		
15.	180.018.252	COMER RETAINING COLLER INNER		
16.	180.016.025	COMER SAFTEY CHAINS		
17.	165.000.785	COMER CONE GUARD ASSEMBLY		
18.	165.000.589	COMER TAPERED PIN SET 1 3/4		
19.	122.981.002.1	COMER TUBE W/YOKE/LUBE/FEMALE		
20.	122.580.501.1	COMER TUBE W/YOKE/LUBE/MALE		
21.	1422831442821	COMER HALF FEMALE GRD W/LABEL		
22.	1422871642821	COMER HALF MALE GUARDING		
23.	180.018.393	COMER CAP OUTER TUBE, PLASTIC		
24.	165.000.628	COMER COLLER KIT 3/8 YOKE		

**Driveline CV 1000 RPM (826-499C) 1 3/4-20 Comer (S/N 488897+)**

Applies to RCM5020



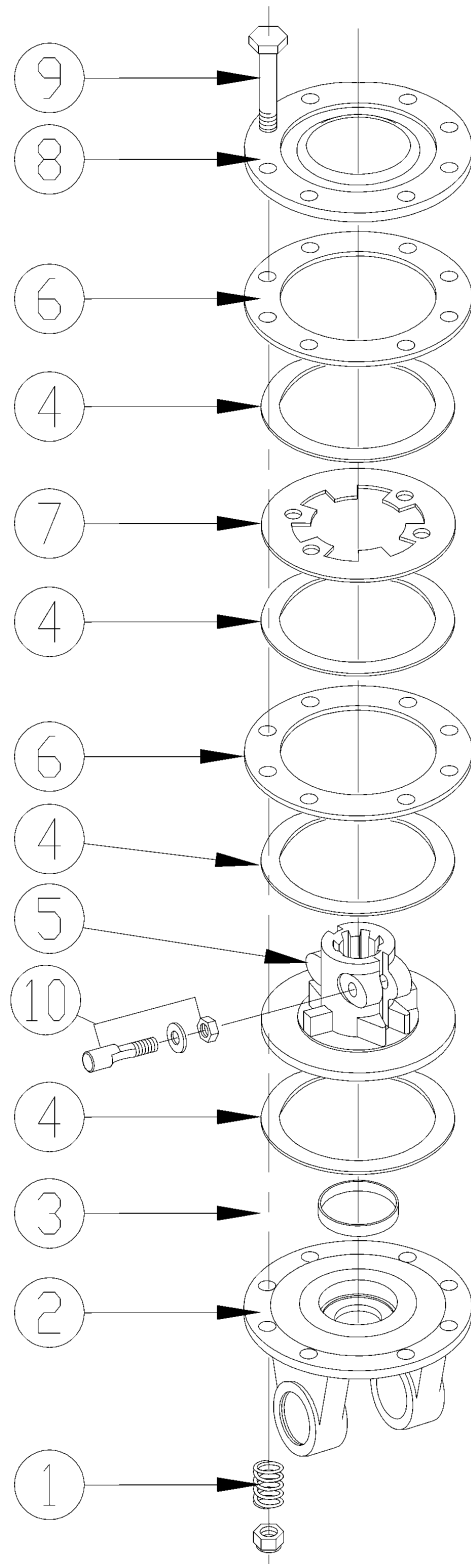
23960

**Driveline CV 1000 RPM (826-499C) 1 3/4-20 Comer (S/N 488897+)****Applies to RCM5020**

<b>Ref</b>	<b>Part No.</b>	<b>Part Description</b>	<b>Comments</b>	<b>Revision</b>
	dwg23960	Drawing Image Number		
	826-499C	PTO CV80 X 77.71 NO CLUTCH		
1.	141.028.360.1	COMER COLLER YOKE ASSEMBLY		
2.	180.018.158	COMER CV -JOINT CROSS ASSEMBLY		
3.	141.028.472.1	COMER WIDE ANGLE DOUBLE YOKE		
4.	141.028.248.1	COMER OUTER YOKE		
5.	190.000.243	COMER OUTER TUBE ROLL PIN		
6.	180.018.437	COMER WIPER		
7.	1522805260710	COMER OUTER TUBE COMPLETE		
8.	180.018.004	COMER CROSS ASSEMBLY		
9.	141.028.195.1	COMER YOKE COMPLETE		
10.	180.018.567	COMER CV JOINT GUARD CONE		
11.	165.000.694	COMER SCREW KIT FOR CV GUARD		
12.	158.018.470	COMER BEARING RING		
13.	180.018.251	COMER RETAINING COLLER INNER		
14.	180.014.240	COMER BOLT		
15.	180.018.252	COMER RETAINING COLLER INNER		
16.	180.016.025	COMER SAFTEY CHAINS		
17.	165.000.785	COMER CONE GUARD ASSEMBLY		
18.	165.000.589	COMER TAPERED PIN SET 1 3/4		
19.	122.981.002.1	COMER TUBE W/YOKE/LUBE/FEMALE		
20.	122.580.501.1	COMER TUBE W/YOKE/LUBE/MALE		
21.	1422831442821	COMER HALF FEMALE GRD W/LABEL		
22.	1422871642821	COMER HALF MALE GUARDING		
23.	180.018.393	COMER CAP OUTER TUBE, PLASTIC		
24.	165.000.629	COMER YOKE KIT COLLAR		

### Driveline Slip Clutch (146.264.024.1) Comer

Applies to RCM5020



23957

**Driveline Slip Clutch (146.264.024.1) Comer**

---

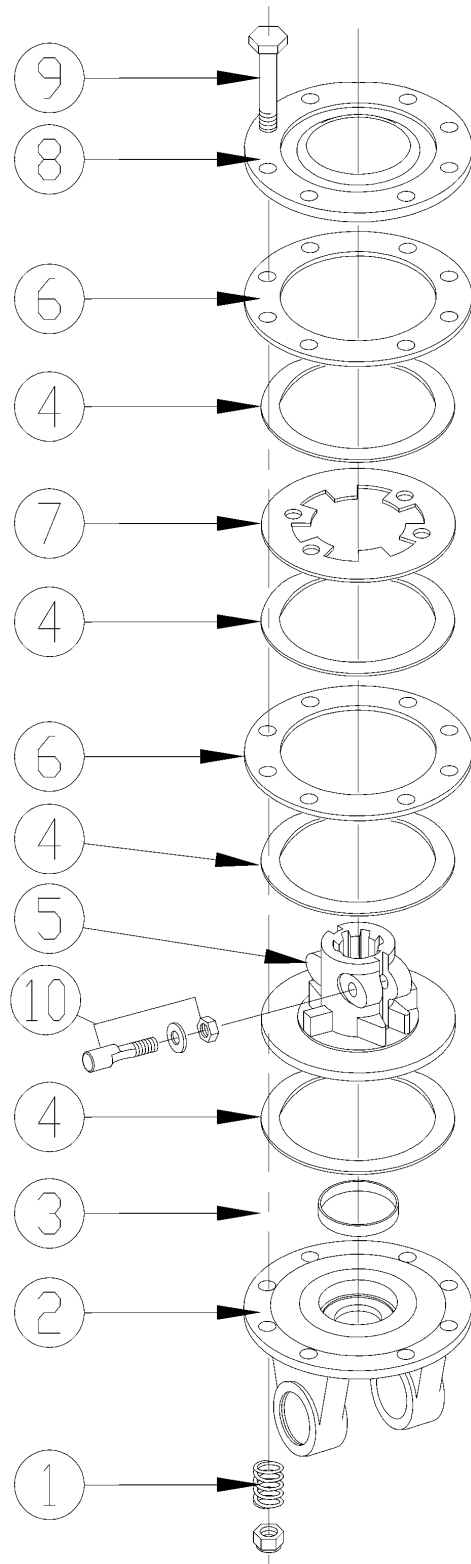
**Applies to RCM5020**

<b>Ref</b>	<b>Part No.</b>	<b>Part Description</b>	<b>Comments</b>	<b>Revision</b>
	dwg23957	Drawing Image Number		
	146.264.024.1	COMER CLUTCH, COMPLETE ASSY *		
1.	180.014.022	COMER SPRING		
2.	151.016.037.1	COMER YOKE, FLANGED		
3.	180.019.019	COMER BUSH		
4.	180.019.018	COMER LINING RING		
5.	151.018.228.1	COMER CLUTCH SUPPORT		
6.	180.019.014	COMER INNER PLATE		
7.	180.019.115	COMER INTERMEDIATE PLATE		
8.	180.019.116.1	COMER PRESSURE PLATE		
9.	165.000.548	COMER BOLT WITH NUT M10X100		
10.	165.000.589	COMER TAPERED PIN SET 1 3/4		



# Driveline Slip Clutch (146.284.020.1) Comer

Applies to RCM5020



23958

**Driveline Slip Clutch (146.284.020.1) Comer**

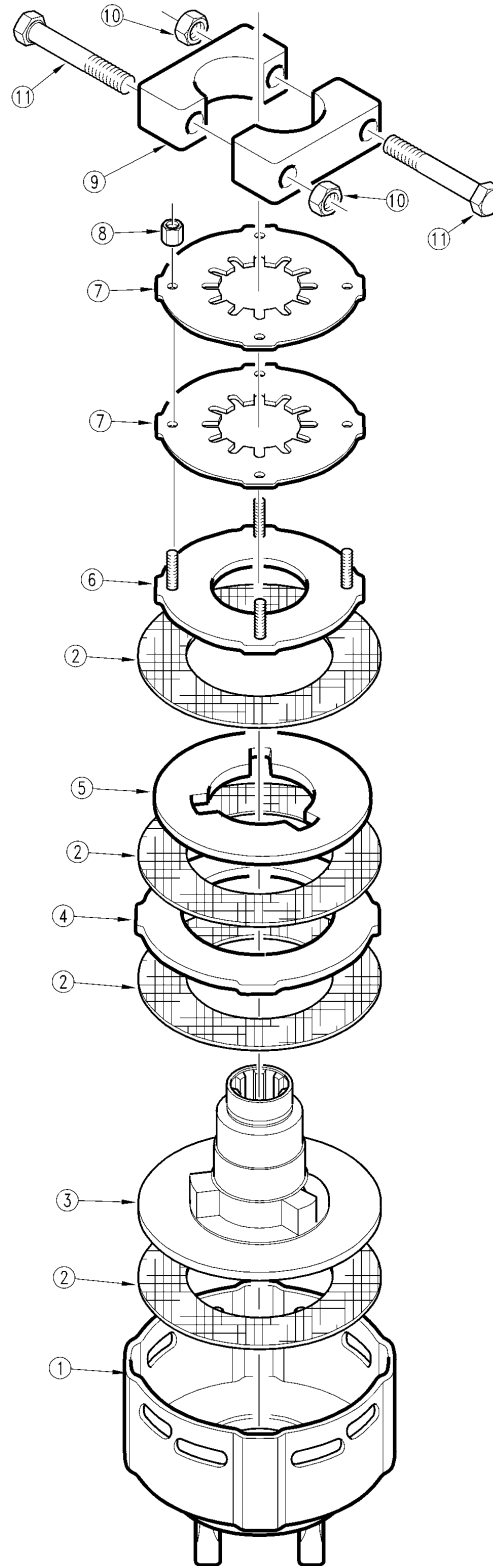
---

**Applies to RCM5020**

<b>Ref</b>	<b>Part No.</b>	<b>Part Description</b>	<b>Comments</b>	<b>Revision</b>
	dwg23958	Drawing Image Number		
	146.284.020.1	COMER CLUTCH, DISC COMPLETE *		
1.	180.014.022	COMER SPRING		
2.	151.018.016.1	COMER YOKE, FLANGED		
3.	180.019.019	COMER BUSH		
4.	180.019.018	COMER LINING RING		
5.	151.018.228.1	COMER CLUTCH SUPPORT		
6.	180.019.014	COMER INNER PLATE		
7.	180.019.115	COMER INTERMEDIATE PLATE		
8.	180.019.116.1	COMER PRESSURE PLATE		
9.	165.000.548	COMER BOLT WITH NUT M10X100		
10.	165.000.589	COMER TAPERED PIN SET 1 3/4		

# Driveline Slip Clutch (383805) Walterscheid

Applies to RCM5020



17005

**Driveline Slip Clutch (383805) Walterscheid**

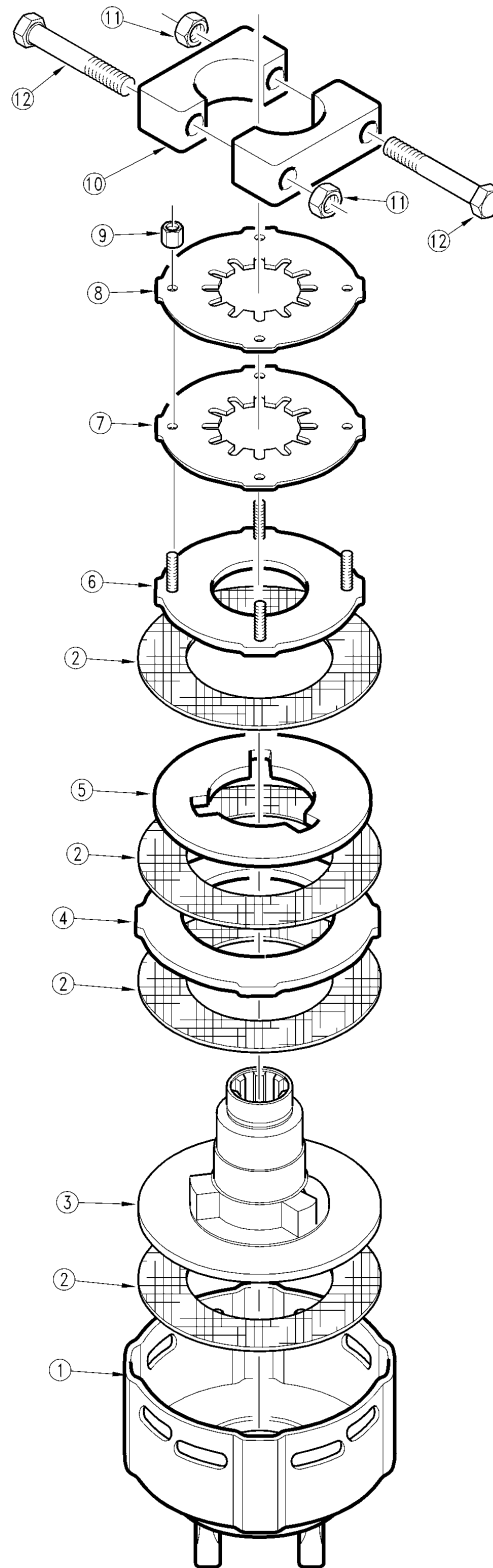
---

**Applies to RCM5020**

<b>Ref</b>	<b>Part No.</b>	<b>Part Description</b>	<b>Comments</b>	<b>Revision</b>
	dwg17005	Drawing Image Number		
	383805	WS FRICTION CLUTCH		
1.	324822	WS CLUTCH HOUSING		
2.	168556	WS FRICTION DISK		
3.	351793	WS HUB 1 3/4"-20 SPL		
4.	042454	WS DRIVE PLATE		
5.	042459	WS DRIVE PLATE		
6.	381495	WS THRUST PLATE		
7.	043489	WS BELLEVILLE SPRING		
8.	381957	WS HEX NUT M8		
9.	186397	WS BRIDGE		
10.	304011	WS LOCK NUT M16		
11.	304065	WS BOLT M16X110 DIN 931-8.8		

# Driveline Slip Clutch (394582) Walterscheid

Applies to RCM5020



22114

***Driveline Slip Clutch (394582) Walterscheid***

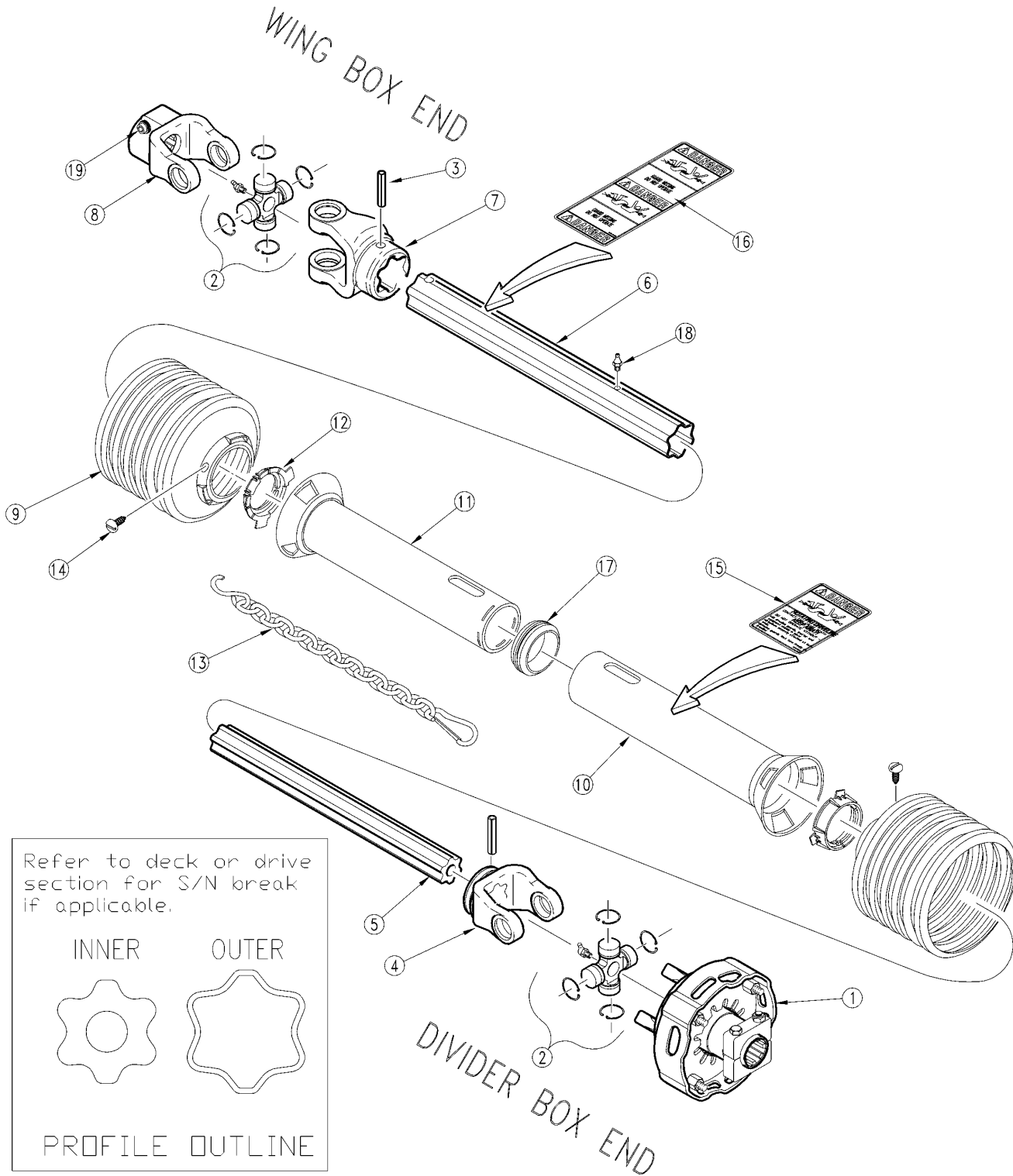
---

**Applies to RCM5020**

<b>Ref</b>	<b>Part No.</b>	<b>Part Description</b>	<b>Comments</b>	<b>Revision</b>
	dwg22114	Drawing Image Number		
	394582	WS FRICTION CLUTCH		
1.	324822	WS CLUTCH HOUSING		
2.	168556	WS FRICTION DISK		
3.	351793	WS HUB 1 3/4"-20 SPL		
4.	042454	WS DRIVE PLATE		
5.	042459	WS DRIVE PLATE		
6.	381495	WS THRUST PLATE		
7.	043489	WS BELLEVILLE SPRING		
8.	045560	WS BELLEVILLE SPRING		
9.	381957	WS HEX NUT M8		
10.	186397	WS BRIDGE		
11.	304011	WS LOCK NUT M16		
12.	304065	WS BOLT M16X110 DIN 931-8.8		

# Driveline Wing (826-342C) Walterscheid

Applies to RCM5020



22112

**Driveline Wing (826-342C) Walterscheid**

---

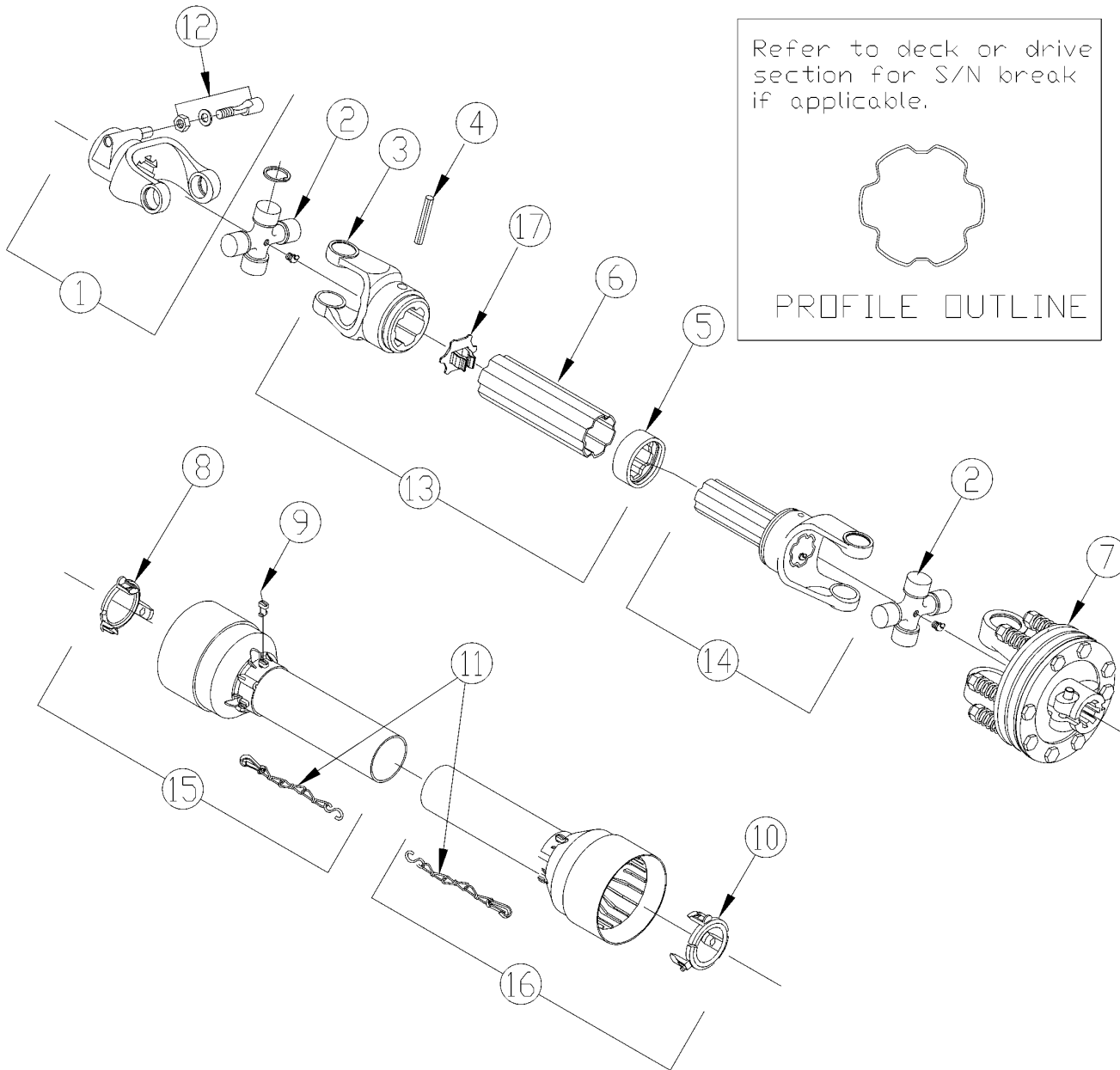
**Applies to RCM5020**

<b>Ref</b>	<b>Part No.</b>	<b>Part Description</b>	<b>Comments</b>	<b>Revision</b>
	dwg22112	Drawing Image Number		
	826-342C	PTO W2500/WSC CAT5 540/1000		
1.	383805	WS FRICTION CLUTCH		
2.	312209	WS CROSS & BEARING KIT 2500		
3.	304046	WS SPRING PIN 10 X 90		
4.	097133	WS INBOARD YOKE 2400		
5.	394064	INNER PROFILE S4LGA		
6.	394065	PROFILE & SLEEVE W.A.		
7.	097140	WS INBOARD YOKE 2500		
8.	195099	YOKE 1 3/4-20-SPL CC		
9.	377437	WS SHIELD CONE 7 RIB		
10.	392215	OUTER SHIELD 1435MM		
11.	394067	INNER SHIELD TUBE ROUND		
12.	087276	WS BEARING RING - SC25		
13.	044321	DRIVELINE SHIELD SAFETY CHAIN		
14.	365305	WS SCREW		
15.	818-552C	DECAL DANGER PTO DRIVELINE	IN ITEM 10	
16.	818-540C	DECAL DANGER GUARD MISS PTO	IN ITEM 6	
17.	355155	WS SUPPORT BEARING		
18.	380371	WS ZERK	IN ITEM 6	
19.	107542	CC LOCK ASSY	IN ITEM 8	



# Driveline Wing (826-494C) Comer

Applies to RCM5020



**Driveline Wing (826-494C) Comer**

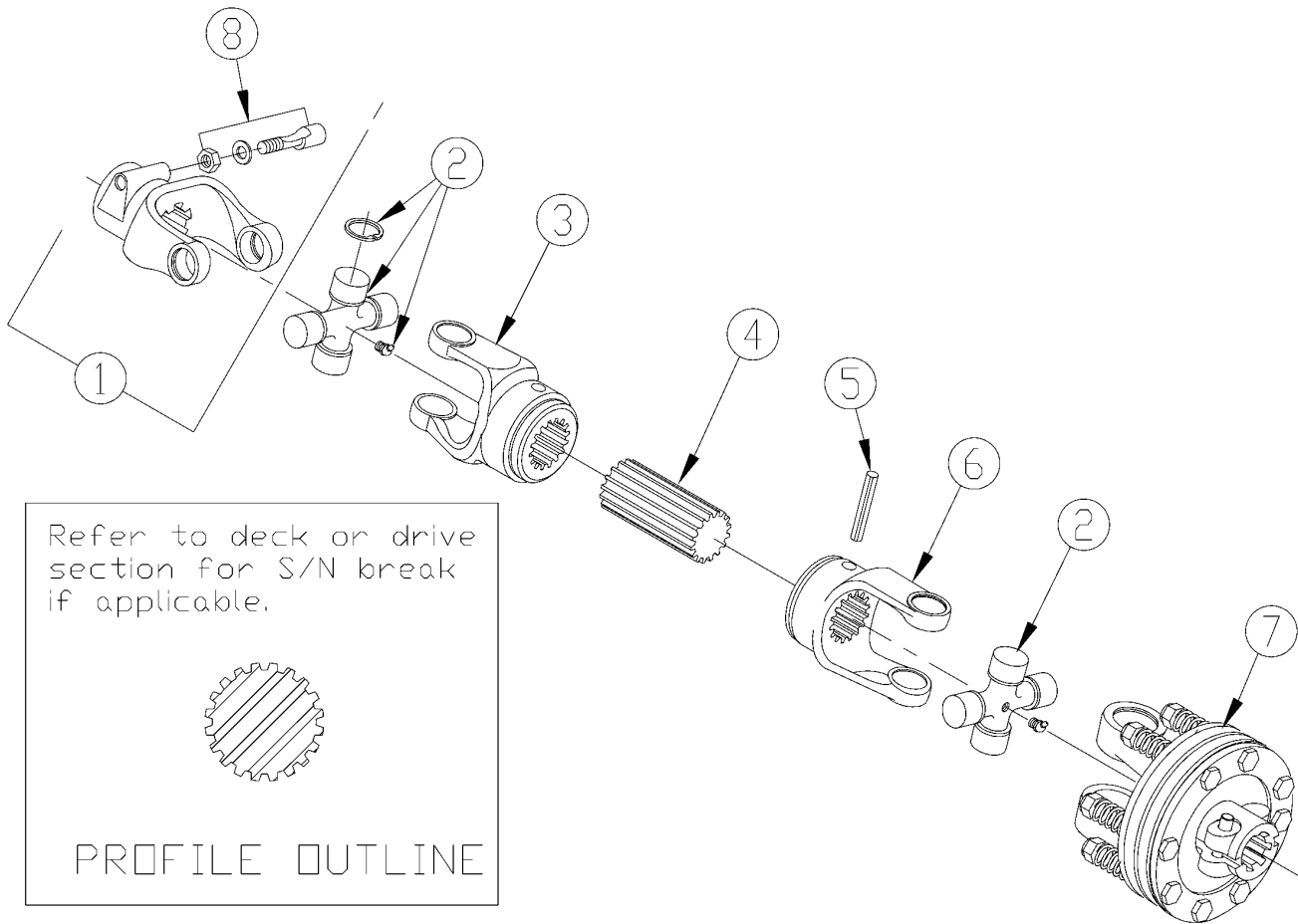
---

**Applies to RCM5020**

<b>Ref</b>	<b>Part No.</b>	<b>Part Description</b>	<b>Comments</b>	<b>Revision</b>
	dwg23954	Drawing Image Number		
	826-494C	PTO V80 X 77.05 1280NM CLUTCH		
1.	141.028.195.1	COMER YOKE COMPLETE		
2.	180.018.004	COMER CROSS ASSEMBLY		
3.	151.018.241.1	COMER YOKE OUTER		
4.	190.000.243	COMER OUTER TUBE ROLL PIN		
5.	180.018.437	COMER WIPER		
6.	1522805477810	COMER TUBE, OUTER COMPLETE		
7.	146.284.020.1	COMER CLUTCH, DISC COMPLETE		
8.	180.018.251	COMER RETAINING COLLER INNER		
9.	180.014.240	COMER BOLT		
10.	180.018.252	COMER RETAINING COLLER INNER		
11.	180.016.025	COMER SAFTEY CHAINS		
12.	165.000.589	COMER TAPERED PIN SET 1 3/4		
13.	122.580.026.1	COMER TUBE W/YOKE/LUBE/FEMALE		
14.	122.580.512.1	COMER TUBE W/YOKE/LUBE/MALE		
15.	1422831989821	COMER HALF FEMALE GRD W/LABEL		
16.	1422871039821	COMER HALF MALE GUARDING		
17.	180.018.393	COMER CAP OUTER TUBE, PLASTIC		

# Driveline Center (826-495C) Comer

Applies to RC5020



**Driveline Center (826-495C) Comer**

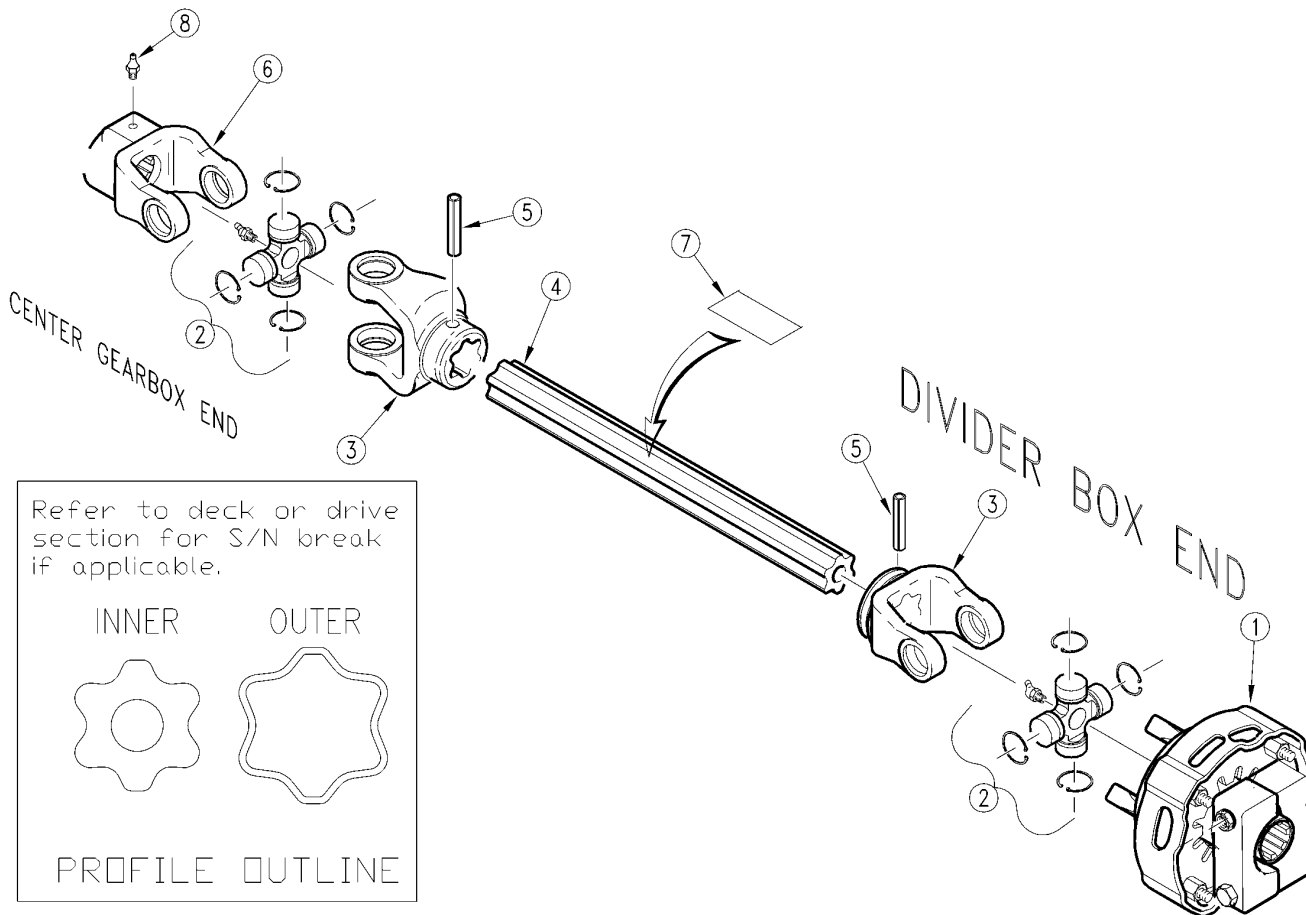
---

**Applies to RC5020**

<b>Ref</b>	<b>Part No.</b>	<b>Part Description</b>	<b>Comments</b>	<b>Revision</b>
	dwg23955	Drawing Image Number		
	826-495C	PTO E60 X 27.44 1280NM CLUTCH		
1.	141.026.357.1	COMER YOKE COMPLETE		
2.	180.016.130	COMER CROSS ASSEMBLY		
3.	170.016.630.1	COMER YOKE, OUTER		
4.	155.150.724	COMER SHAFT, SPLINED		
5.	190.000.016	COMER ROLL PIN, INNER TUBE		
6.	151.016.031.1	COMER INNER YOKE		
7.	146.264.024.1	COMER CLUTCH, COMPLETE ASSY		
8.	165.000.589	COMER TAPERED PIN SET 1 3/4		

# Driveline Center 540 RPM (826-422C) Walterscheid

Applies to RC5020



***Driveline Center 540 RPM (826-422C) Walterscheid***

---

**Applies to RC5020**

<b>Ref</b>	<b>Part No.</b>	<b>Part Description</b>	<b>Comments</b>	<b>Revision</b>
	dwg22110	Drawing Image Number		
	826-422C	PTO INT. W2500/WSC CAT5 540		
1.	383805	WS FRICTION CLUTCH		
2.	312209	WS CROSS & BEARING KIT 2500		
3.	097140	WS INBOARD YOKE 2500		
4.	111664	OUTER PROFILE S5		
5.	304046	WS SPRING PIN 10 X 90		
6.	394581	EC YOKE 1.75-20 SPL. HT.		
7.	383334	REP BY 818-540C	IN ITEM 4	
8.	304263	EC ZERK	IN ITEM 6	



**Driveline Conv. 540 RPM (826-112C) Walterscheid**

---

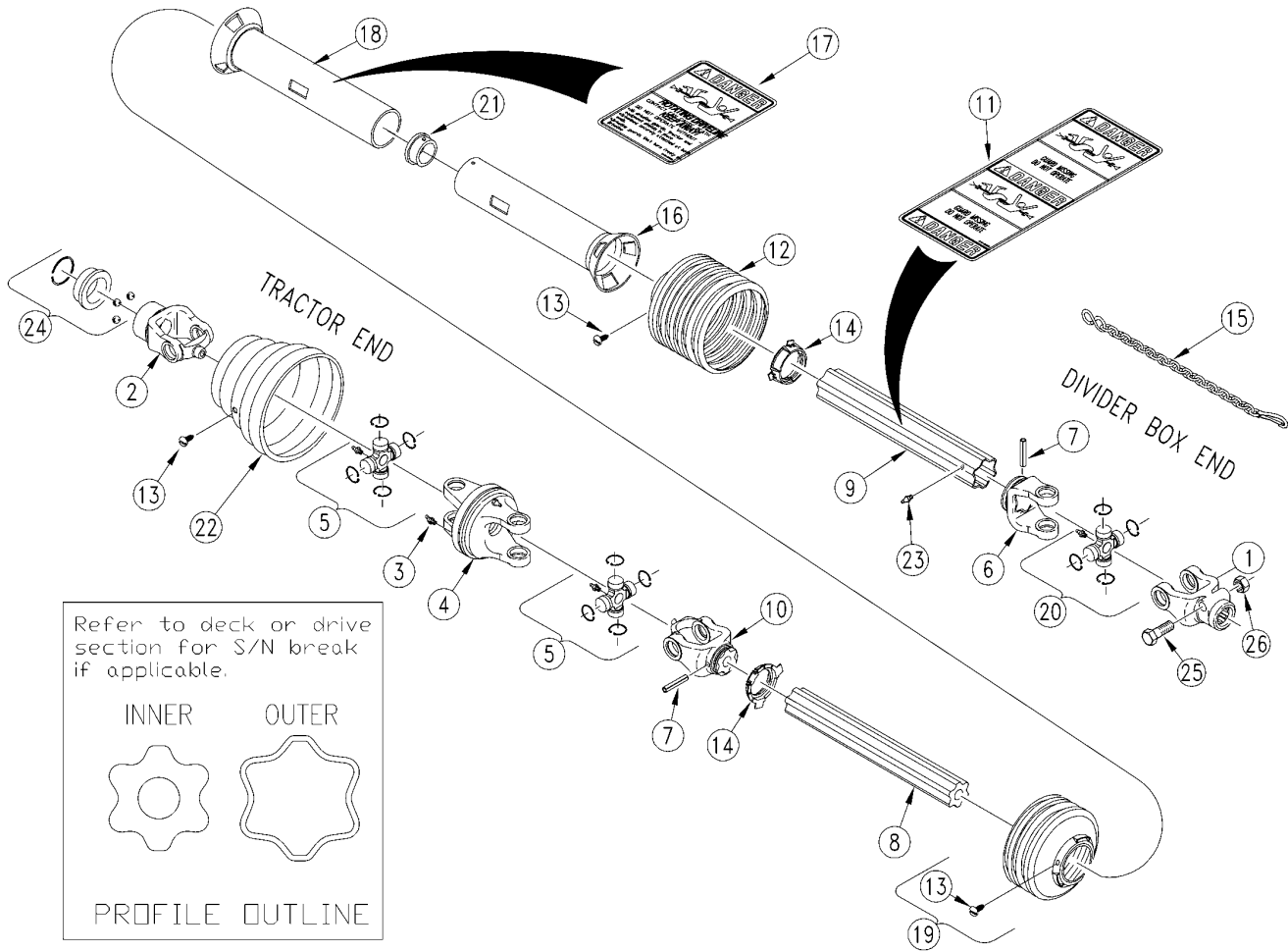
**Applies to RC5020**

<b>Ref</b>	<b>Part No.</b>	<b>Part Description</b>	<b>Comments</b>	<b>Revision</b>
	dwg18548	Drawing Image Number		
	826-112C	PTO 2500 X 39.76 NO CLUTCH		
1.	325027	WS YOKE 1 3/4-20 SPL.I.C. 2500		
2.	097136	WS YOKE 1 3/8-6 SPL Q.D. 2500		
3.	312209	WS CROSS & BEARING KIT 2500		
4.	097140	WS INBOARD YOKE 2500		
5.	304046	WS SPRING PIN 10 X 90		
6.	321256	WS INNER PROFILE 2400		
7.	390257	WS PROFILE & SLEEVE W.A.		
8.	097133	WS INBOARD YOKE 2400		
9.	818-540C	DECAL DANGER GUARD MISS PTO		
10.	365305	WALTERSCHEID SCREW		
11.	087276	WS BEARING RING - SC25		
12.	044321	WALTERSCHEID SAFETY CHAIN		
13.	389850	WS OUTER SHIELD TUBE RND.		
14.	818-552C	DECAL DANGER PTO DRIVELINE		
15.	388957	WS INNER SHIELD TUBE ROUND		
16.	339107	WS Q.D. PIN KIT		
17.	377437	WS SHIELD CONE 7 RIB		
18.	380371	WS ZERK		
19.	355155	WS SUPPORT BEARING		
20.	702352	WS HEX BOLT M16 X 90 GR 8.8		
21.	304011	WS LOCK NUT M16		
22.	377442	WS SHIELD CONE - 12 RIB		



**Driveline CV 540 RPM (826-117C) Walterscheid (S/N 468557-)**

Applies to RC5020

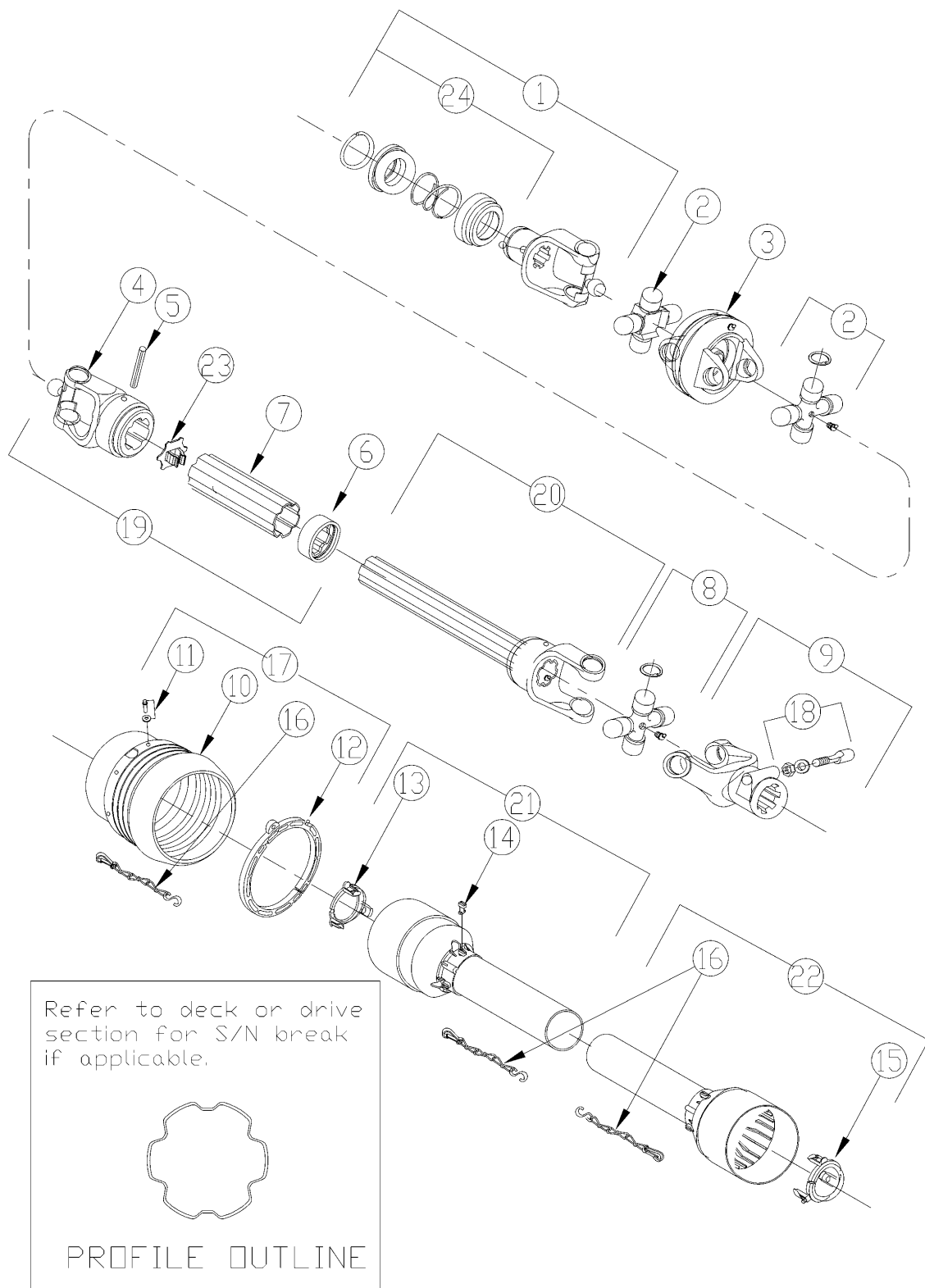


**Driveline CV 540 RPM (826-117C) Walterscheid (S/N 468557-)****Applies to RC5020**

Ref	Part No.	Part Description	Comments	Revision
	dwg14067	Drawing Image Number		
	826-117C	PTO CV 2580 X 41.73		
1.	325027	WS YOKE 1 3/4-20 SPL.I.C. 2500		
2.	363617	WS YOKE 1 3/8-6 SPL		
3.	020672	WS GREASE ZERK		
4.	365725	WS DOUBLE YOKE 2500		
5.	384316	WS CROSS & BEARING KIT 2500		
6.	097140	WS INBOARD YOKE 2500		
7.	304046	WS SPRING PIN 10 X 90		
8.	355527	WS INNER PROFILE S4GA/S5L		
9.	394526	PROFILE (S5HL) & SLEEVE W.A.	HARDENED SLEEVE	
10.	331573	WS INBOARD YOKE S4		
11.	818-540C	DECAL DANGER GUARD MISS PTO		
12.	377442	WS SHIELD CONE - 12 RIB		
13.	365305	WALTERSCHEID SCREW		
14.	087276	WS BEARING RING - SC25		
15.	044321	WALTERSCHEID SAFETY CHAIN		
16.	386561	WS IN SHEILD TUBE ROUND		
17.	818-552C	DECAL DANGER PTO DRIVELINE		
18.	388698	WS OUTER SHIELD TUBE OVAL		
19.	104810	WS SHIELD CONE 4 RIB		
20.	312209	WS CROSS & BEARING KIT 2500		
21.	355155	WS SUPPORT BEARING		
22.	386048	WS CV CONE & BEARING ASSY		
23.	380371	WS ZERK		
24.	364915	WS ASSY COLLAR KIT		
25.	702352	WS HEX BOLT M16 X 90 GR 8.8		
26.	304011	WS LOCK NUT M16		

**Driveline CV 540 RPM (826-476C) Comer (S/N 468558 to 547835)**

Applies to RC5020



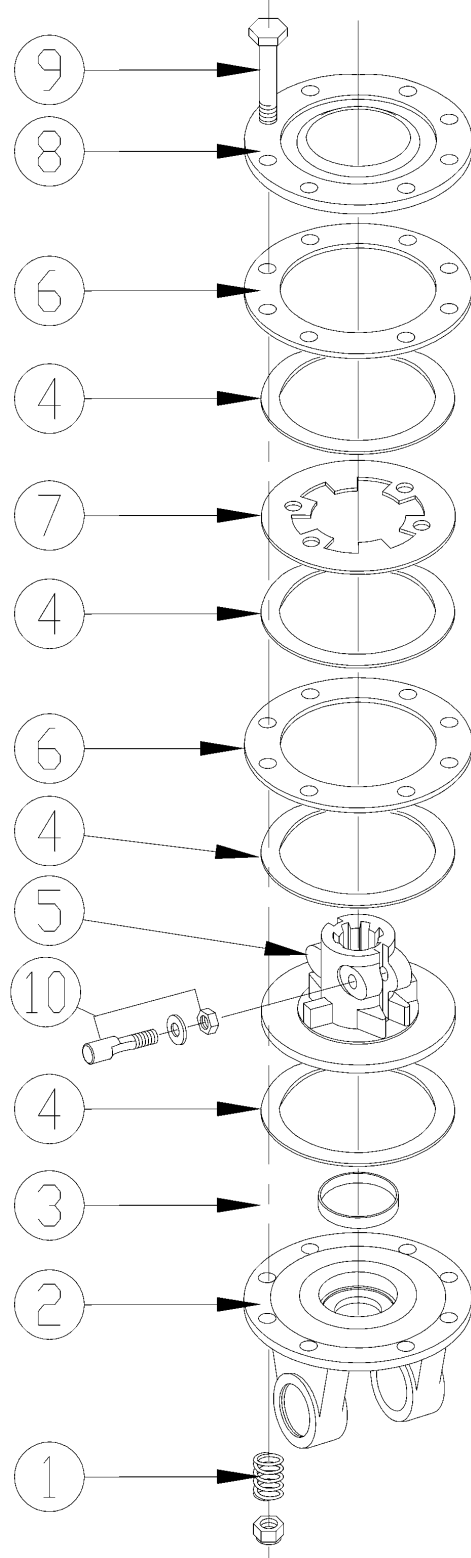
23947

**Driveline CV 540 RPM (826-476C) Comer (S/N 468558 to 547835)****Applies to RC5020**

Ref	Part No.	Part Description	Comments	Revision
	dwg23947	Drawing Image Number		
	826-476C	PTO CV V80 X 54.8 NO CLUTCH *		
1.	141.028.358.1	COMER COLLER YOKE ASSEMBLY		
2.	180.018.158	COMER CV -JOINT CROSS ASSEMBLY		
3.	141.028.472.1	COMER WIDE ANGLE DOUBLE YOKE		
4.	141.028.248.1	COMER OUTER YOKE		
5.	190.000.243	COMER OUTER TUBE ROLL PIN		
6.	180.018.437	COMER WIPER		
7.	1522805320710	COMER OUTER TUBE		
8.	180.018.004	COMER CROSS ASSEMBLY		
9.	141.028.195.1	COMER YOKE COMPLETE		
10.	180.018.567	COMER CV JOINT GUARD CONE		
11.	165.000.694	COMER SCREW KIT FOR CV GUARD		
12.	158.018.470	COMER BEARING RING		
13.	180.018.251	COMER RETAINING COLLER INNER		
14.	180.014.240	COMER BOLT		
15.	180.018.252	COMER RETAINING COLLER INNER		
16.	180.016.025	COMER SAFTEY CHAINS		
17.	165.000.785	COMER CONE GUARD ASSEMBLY		
18.	165.000.589	COMER TAPERED PIN SET 1 3/4		
19.	122.981.027.1	COMER TUBE W/YOKE/LUBE/FEMALE		
20.	122.580.510.1	COMER TUBE W/YOKE/LUBE /MALE		
21.	1422831412821	COMER HLF FEMALE GRD W/LABEL		
22.	1422871632821	COMER HALF MALE GUARDING		
23.	180.018.393	COMER CAP OUTER TUBE, PLASTIC		
24.	165.000.628	COMER COLLER KIT 3/8 YOKE		

# Driveline Slip Clutch (146.264.024.1) Comer

Applies to RC5020



23957

**Driveline Slip Clutch (146.264.024.1) Comer**

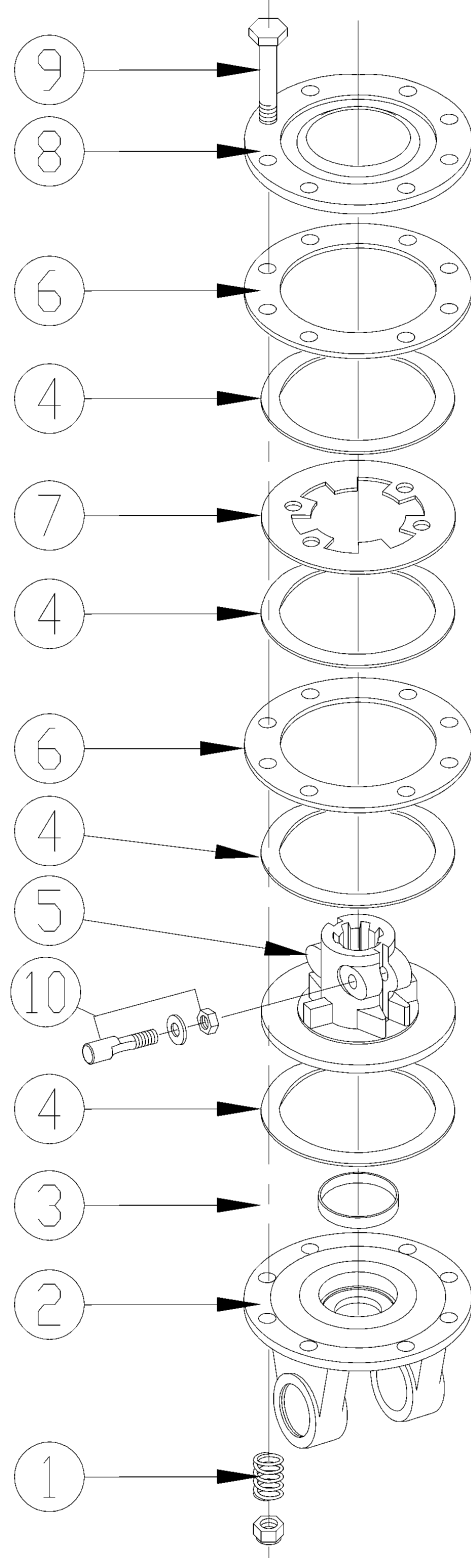
---

**Applies to RC5020**

<b>Ref</b>	<b>Part No.</b>	<b>Part Description</b>	<b>Comments</b>	<b>Revision</b>
	dwg23957	Drawing Image Number		
	146.264.024.1	COMER CLUTCH, COMPLETE ASSY *		
1.	180.014.022	COMER SPRING		
2.	151.016.037.1	COMER YOKE, FLANGED		
3.	180.019.019	COMER BUSH		
4.	180.019.018	COMER LINING RING		
5.	151.018.228.1	COMER CLUTCH SUPPORT		
6.	180.019.014	COMER INNER PLATE		
7.	180.019.115	COMER INTERMEDIATE PLATE		
8.	180.019.116.1	COMER PRESSURE PLATE		
9.	165.000.548	COMER BOLT WITH NUT M10X100		
10.	165.000.589	COMER TAPERED PIN SET 1 3/4		

### **Driveline Slip Clutch (146.284.020.1) Comer**

**Applies to RC5020**



23958

**Driveline Slip Clutch (146.284.020.1) Comer**

---

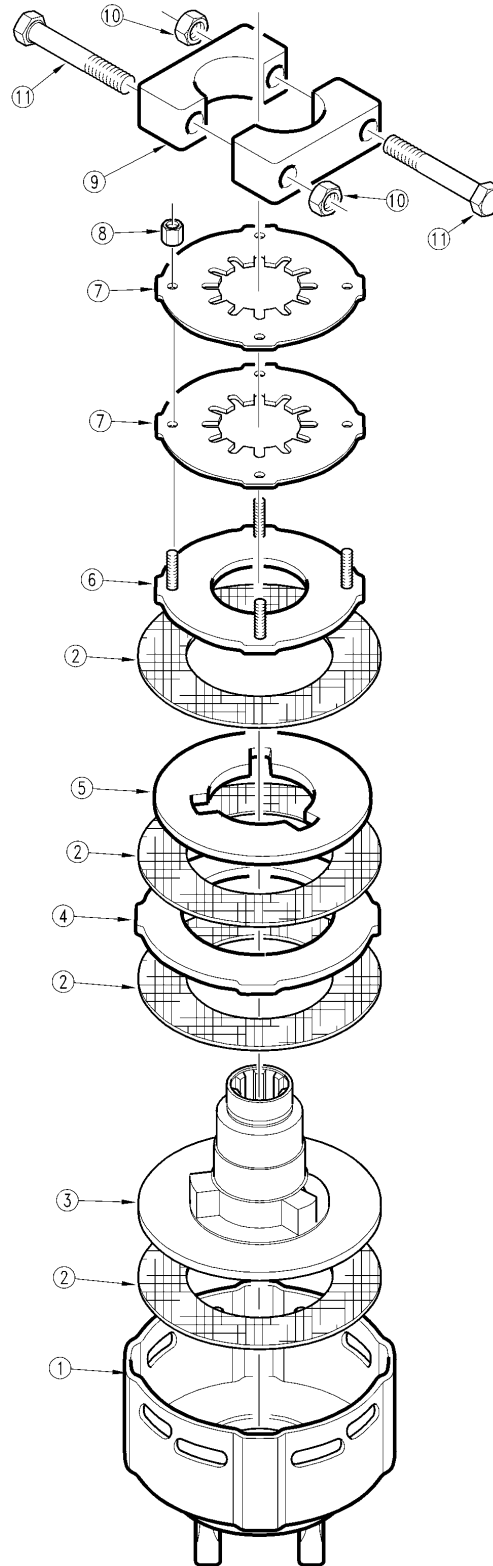
**Applies to RC5020**

<b>Ref</b>	<b>Part No.</b>	<b>Part Description</b>	<b>Comments</b>	<b>Revision</b>
	dwg23958	Drawing Image Number		
	146.284.020.1	COMER CLUTCH, DISC COMPLETE *		
1.	180.014.022	COMER SPRING		
2.	151.018.016.1	COMER YOKE, FLANGED		
3.	180.019.019	COMER BUSH		
4.	180.019.018	COMER LINING RING		
5.	151.018.228.1	COMER CLUTCH SUPPORT		
6.	180.019.014	COMER INNER PLATE		
7.	180.019.115	COMER INTERMEDIATE PLATE		
8.	180.019.116.1	COMER PRESSURE PLATE		
9.	165.000.548	COMER BOLT WITH NUT M10X100		
10.	165.000.589	COMER TAPERED PIN SET 1 3/4		



# Driveline Slip Clutch (383805) Walterscheid

Applies to RC5020



17005

**Driveline Slip Clutch (383805) Walterscheid**

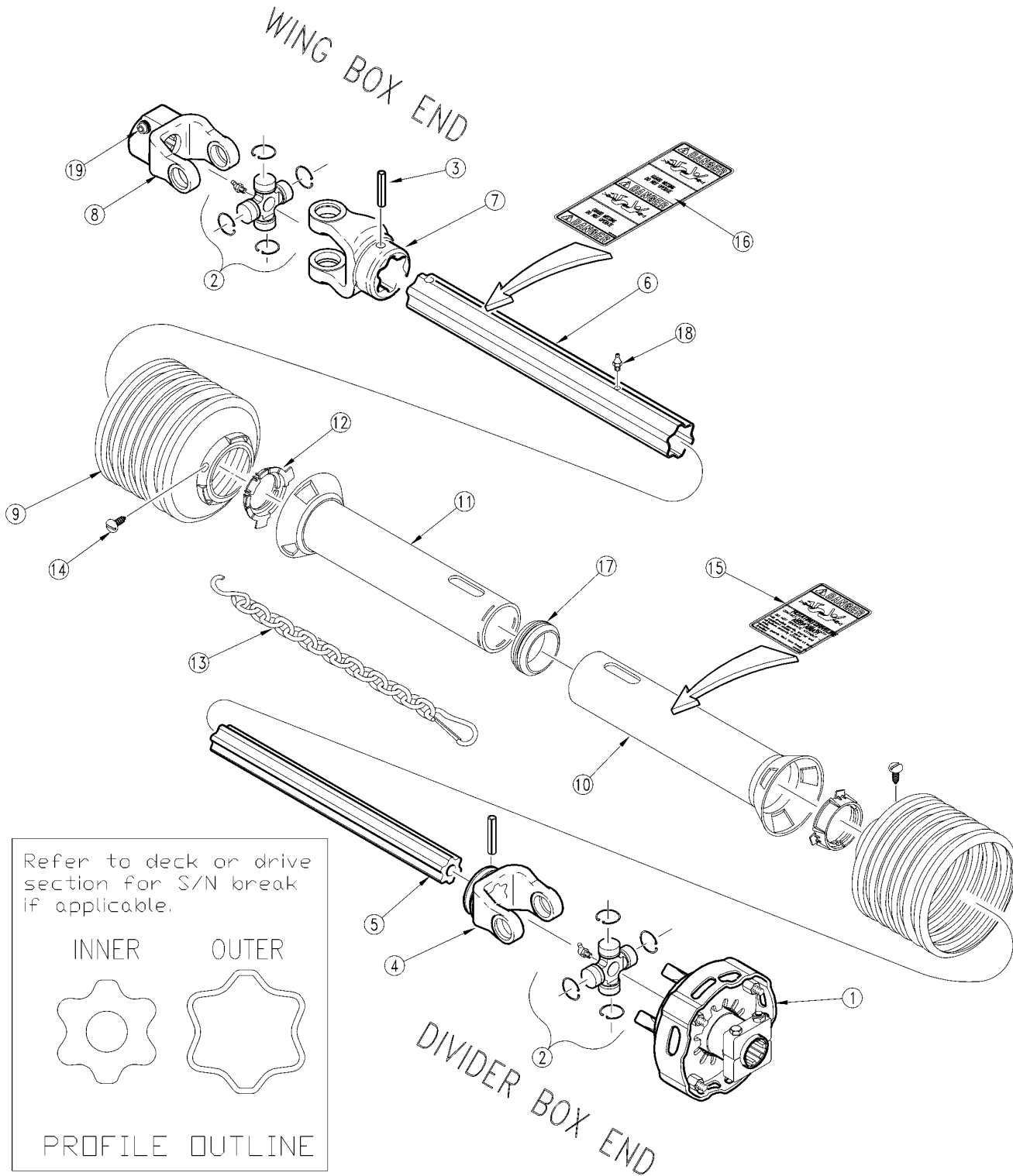
---

**Applies to RC5020**

<b>Ref</b>	<b>Part No.</b>	<b>Part Description</b>	<b>Comments</b>	<b>Revision</b>
	dwg17005	Drawing Image Number		
	383805	WS FRICTION CLUTCH		
1.	324822	WS CLUTCH HOUSING		
2.	168556	WS FRICTION DISK		
3.	351793	WS HUB 1 3/4"-20 SPL		
4.	042454	WS DRIVE PLATE		
5.	042459	WS DRIVE PLATE		
6.	381495	WS THRUST PLATE		
7.	043489	WS BELLEVILLE SPRING		
8.	381957	WS HEX NUT M8		
9.	186397	WS BRIDGE		
10.	304011	WS LOCK NUT M16		
11.	304065	WS BOLT M16X110 DIN 931-8.8		

# Driveline Wing (826-342C) Walterscheid

Applies to RC5020



22112

**Driveline Wing (826-342C) Walterscheid**

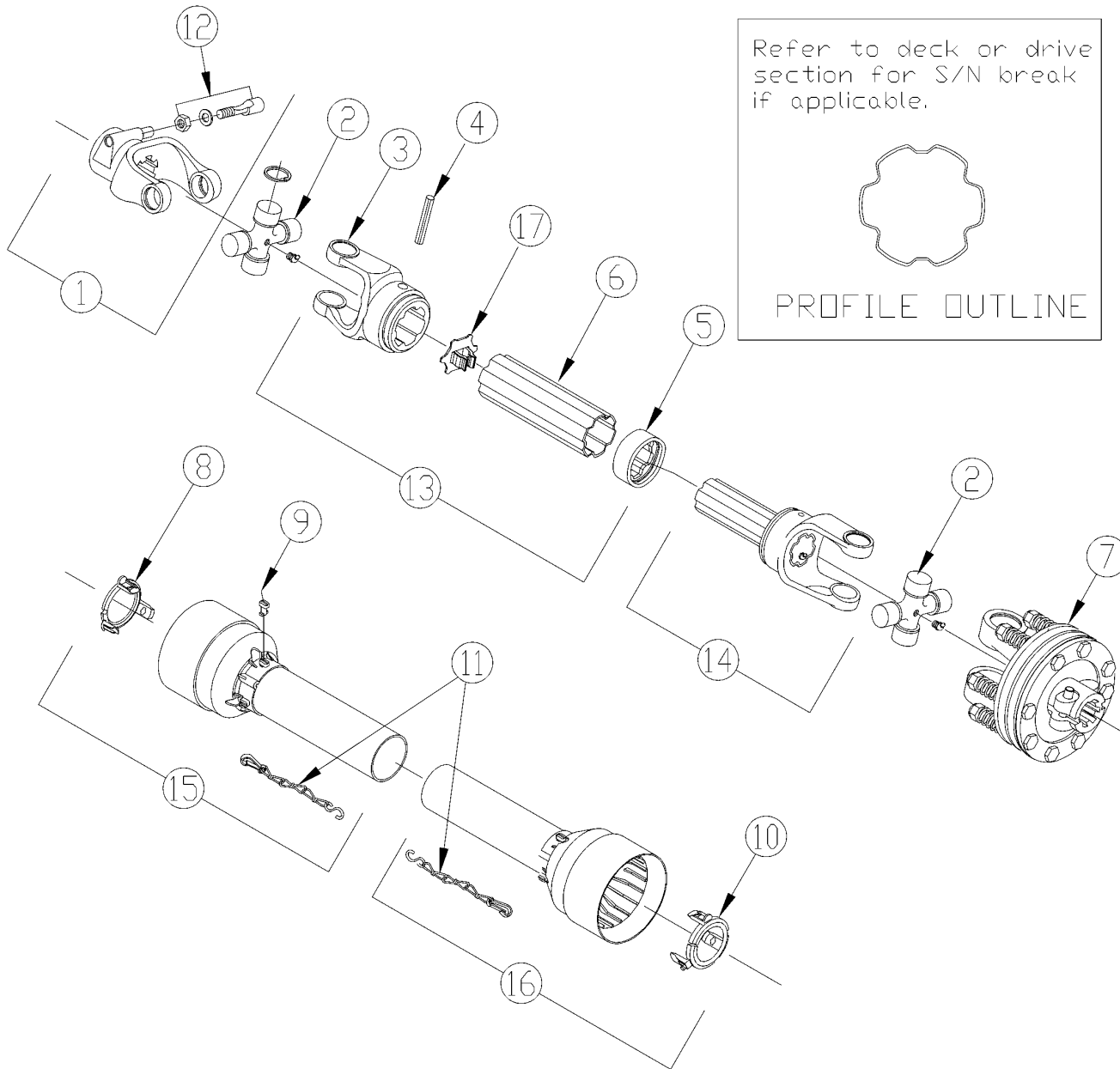
---

**Applies to RC5020**

<b>Ref</b>	<b>Part No.</b>	<b>Part Description</b>	<b>Comments</b>	<b>Revision</b>
	dwg22112	Drawing Image Number		
	826-342C	PTO W2500/WSC CAT5 540/1000		
1.	383805	WS FRICTION CLUTCH		
2.	312209	WS CROSS & BEARING KIT 2500		
3.	304046	WS SPRING PIN 10 X 90		
4.	097133	WS INBOARD YOKE 2400		
5.	394064	INNER PROFILE S4LGA		
6.	394065	PROFILE & SLEEVE W.A.		
7.	097140	WS INBOARD YOKE 2500		
8.	195099	YOKE 1 3/4-20-SPL CC		
9.	377437	WS SHIELD CONE 7 RIB		
10.	392215	OUTER SHIELD 1435MM		
11.	394067	INNER SHIELD TUBE ROUND		
12.	087276	WS BEARING RING - SC25		
13.	044321	DRIVELINE SHIELD SAFETY CHAIN		
14.	365305	WS SCREW		
15.	818-552C	DECAL DANGER PTO DRIVELINE	IN ITEM 10	
16.	818-540C	DECAL DANGER GUARD MISS PTO	IN ITEM 6	
17.	355155	WS SUPPORT BEARING		
18.	380371	WS ZERK	IN ITEM 6	
19.	107542	CC LOCK ASSY	IN ITEM 8	

# Driveline Wing (826-494C) Comer

Applies to RC5020



**Driveline Wing (826-494C) Comer**

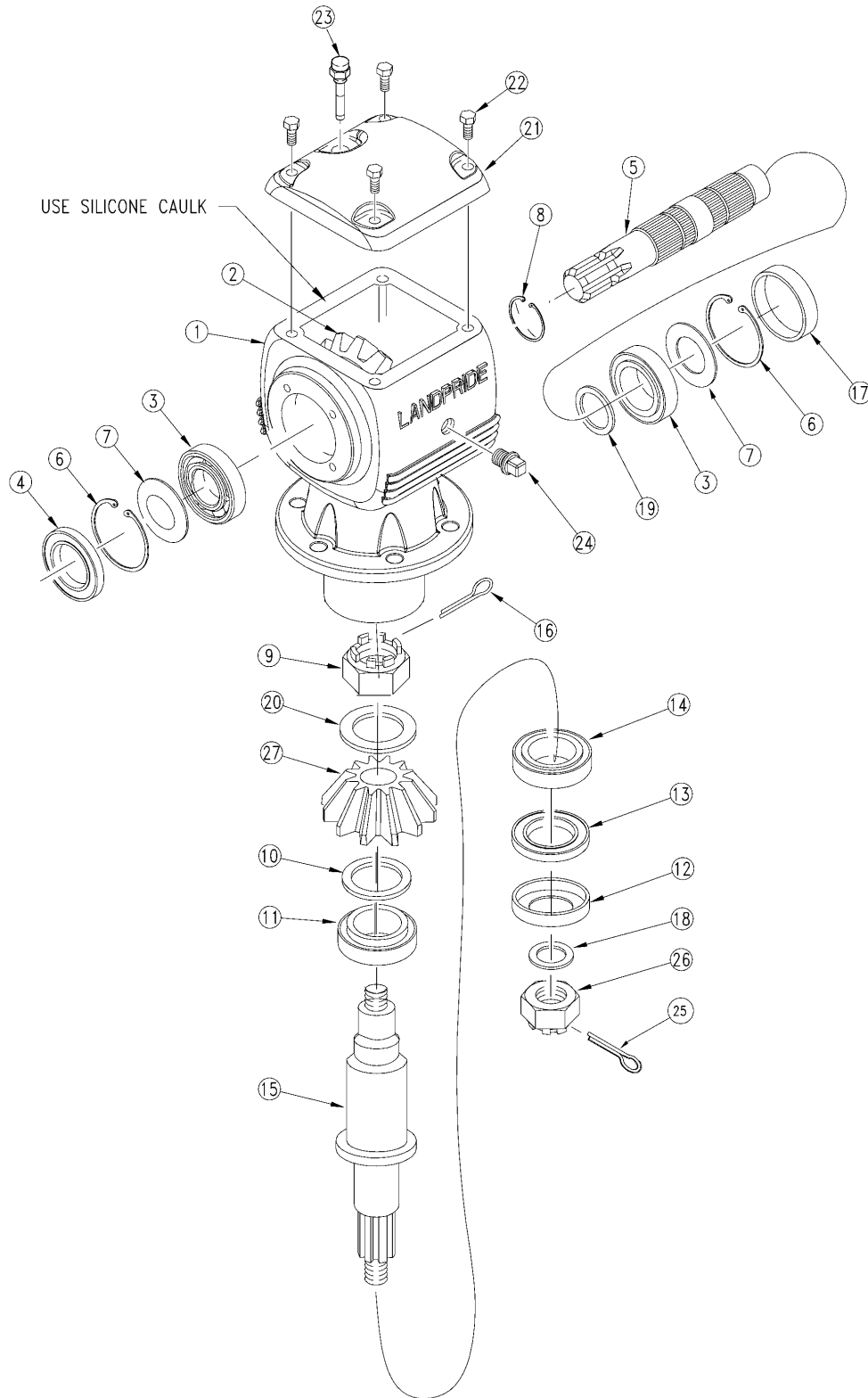
---

**Applies to RC5020**

<b>Ref</b>	<b>Part No.</b>	<b>Part Description</b>	<b>Comments</b>	<b>Revision</b>
	dwg23954	Drawing Image Number		
	826-494C	PTO V80 X 77.05 1280NM CLUTCH		
1.	141.028.195.1	COMER YOKE COMPLETE		
2.	180.018.004	COMER CROSS ASSEMBLY		
3.	151.018.241.1	COMER YOKE OUTER		
4.	190.000.243	COMER OUTER TUBE ROLL PIN		
5.	180.018.437	COMER WIPER		
6.	1522805477810	COMER TUBE, OUTER COMPLETE		
7.	146.284.020.1	COMER CLUTCH, DISC COMPLETE		
8.	180.018.251	COMER RETAINING COLLER INNER		
9.	180.014.240	COMER BOLT		
10.	180.018.252	COMER RETAINING COLLER INNER		
11.	180.016.025	COMER SAFTEY CHAINS		
12.	165.000.589	COMER TAPERED PIN SET 1 3/4		
13.	122.580.026.1	COMER TUBE W/YOKE/LUBE/FEMALE		
14.	122.580.512.1	COMER TUBE W/YOKE/LUBE/MALE		
15.	1422831989821	COMER HALF FEMALE GRD W/LABEL		
16.	1422871039821	COMER HALF MALE GUARDING		
17.	180.018.393	COMER CAP OUTER TUBE, PLASTIC		

# Gearbox 1000 RPM (826-323C) Comer

Applies to RCM5020



21167

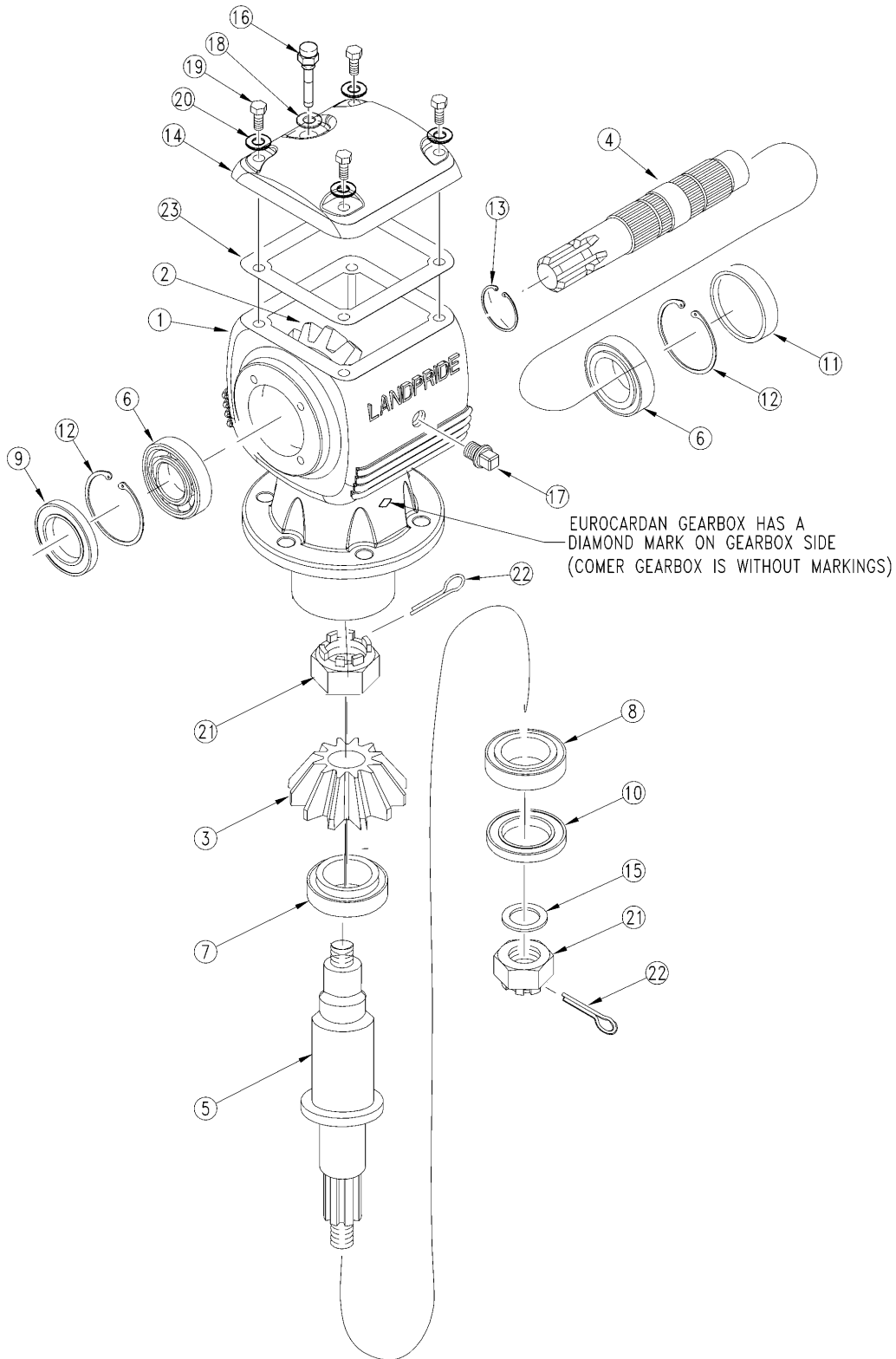
**Gearbox 1000 RPM (826-323C) Comer****Applies to RCM5020**

Ref	Part No.	Part Description	Comments	Revision
	dwg21167	Drawing Image Number		
	826-323C	GBOX RCM60 1.75-20 1.21:1 CCW *		
1.	U0.125.0532.00	CO HOUSING		
2.	U0.125.6003.00	CO CROWN GEAR Z18 M7.8		
3.	8.0.9.00143	CO BEARING 30209 RTA25		
4.	8.7.3.00331	CO OIL SEAL 45 X 85 X 10		
5.	U0.125.2050.00	CO INPUT SHAFT 1 3/4"-20		
6.	8.5.2.00332	CO SNAP RING UNI 7437		
7.	0.709.7500.00	CO SHIM 84.7		
8.	8.5.1.00533	CO SNAP RING 50 UNI7435		
9.	U0.125.7100.00	CO CASTLE NUT		
10.	0.712.7500.00	CO SHIM 50.3X70.3		
11.	8.0.9.01090	CO BEARING 32210		
12.	1.181.7101.00	CO SEAL PROTECTOR		
13.	8.7.1.02349	CO OIL SEAL 60X110X12		
14.	8.0.9.00079	CO BEARING 30212		
15.	U0.125.3003.00	CO OUTPUT SHAFT		
16.	8.4.7.02265	CO COTTER PIN B 5X60		
17.	0.121.7101.00	CO CAP		
18.	0.288.7101.00	CO BLANK WASHER		
19.	0.252.7525.00	CO SHIM 45.3X2.5		
20.	0.285.7510.00	CO SHIM 40.3 X 61.7 X 1		
21.	U0.125.1303.00	CO TOP COVER	S/N 533951+	
22.	8.1.1.00501	CO BOLT M8X22 HHB		
23.	U0.125.7003.00	CO OIL LEVEL PLUG SOLD-SPRTLY		
24.	8.6.5.00006	CO OIL PLUG 3/8		
25.	8.4.7.01045	CO COTTER PIN B6X70 SLD-SPRTLY		
26.	8.2.2.00560	CO CASTLE NUT M36X3		
27.	U0.125.5003.00	CO CROWN GEAR Z22 M7.8		



# Gearbox 1000 RPM (826-323C) Eurocardan

Applies to RCM5020



***Gearbox 1000 RPM (826-323C) Eurocardan***

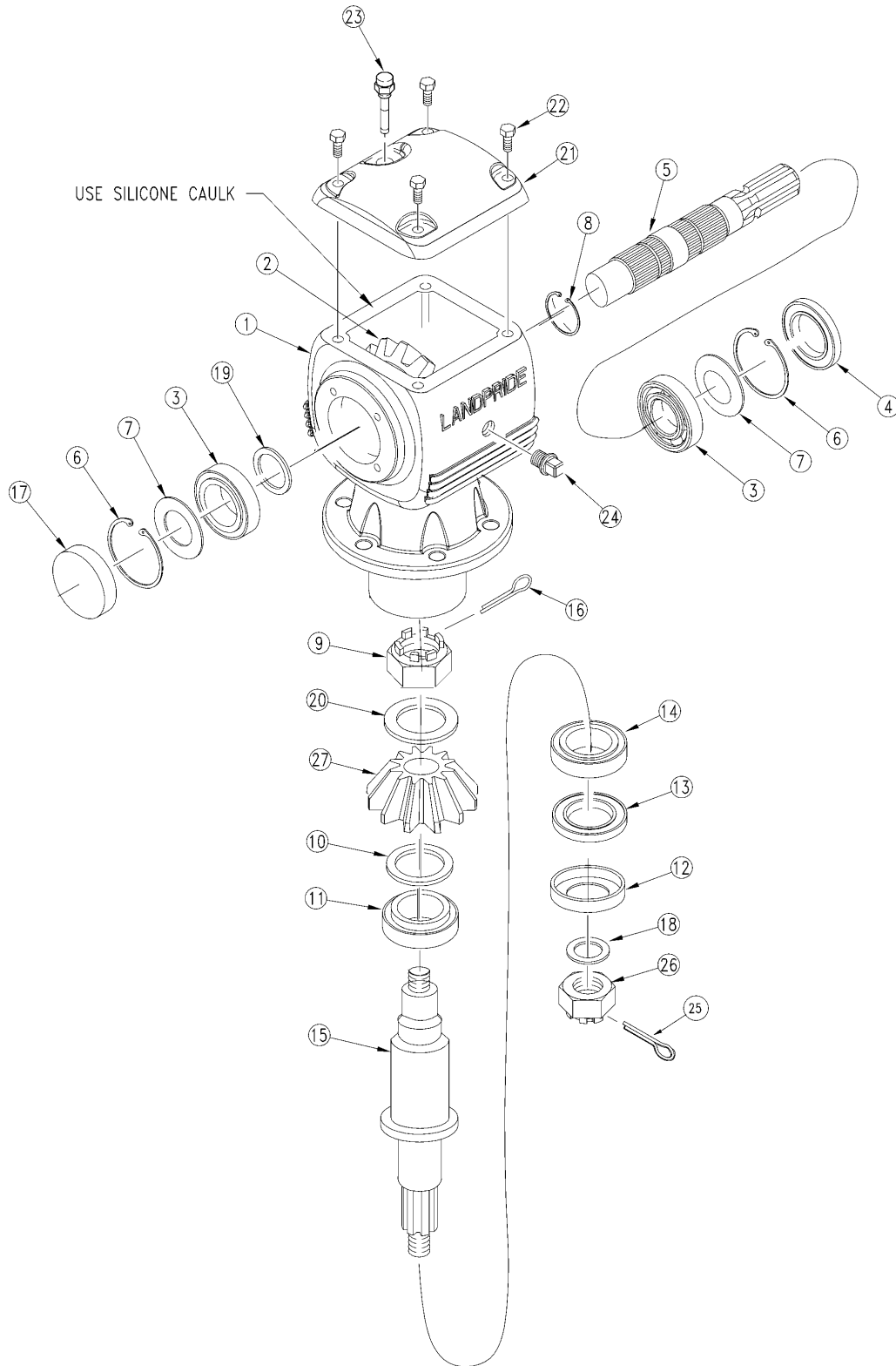
---

**Applies to RCM5020**

<b>Ref</b>	<b>Part No.</b>	<b>Part Description</b>	<b>Comments</b>	<b>Revision</b>
	dwg21266	Drawing Image Number		
	826-323C	GBOX RCM60 1.75-20 1.21:1 CCW		
1.	16572-01	HOUSING		
2.	17271-02	BEVEL PINION Z18 M7.8		
3.	17271-01	BEVEL GEAR Z22 M7.80		
4.	12171-03	INPUT SHAFT 1 3/4" Z20		
5.	12172-01	OUTPUT SHAFT		
6.	2032209	TIMKEN CONICAL BEARING		
7.	2732210	TIMKEN CONICAL BEARING		
8.	2030212	TIMKEN CONICAL BEARING		
9.	6204585	SEAL (DOUBLE RIMS)		
10.	6206011	SEAL (DOUBLE RIMS)		
11.	6100085	SIDE RUBBER COVER		
12.	6310085	INTERNAL CIRCLIP DIAM. 85		
13.	6320050	EXTERNAL CIRCLIP DIAM. 50		
14.	16571-03	UPPER COVER		
15.	12071-01	WASHER ID 37; OD 75 H=8		
16.	65316-10	PRES. RELIEF/OIL LEV PLUG L150		
17.	6481600	FR OIL DRAIN PLUG		
18.	6037012	OIL LEVEL PLUG GASKET		
19.	30210025	SCREW M10X25		
20.	34021010	WASHER		
21.	34007036	NOTCH NUT		
22.	6340680	COTTER PIN DIAM. 6X80		
23.	17871-01	UPPER COVER PAPER GASKET		

# Gearbox 1000 RPM (826-363C) Comer

Applies to RCM5020



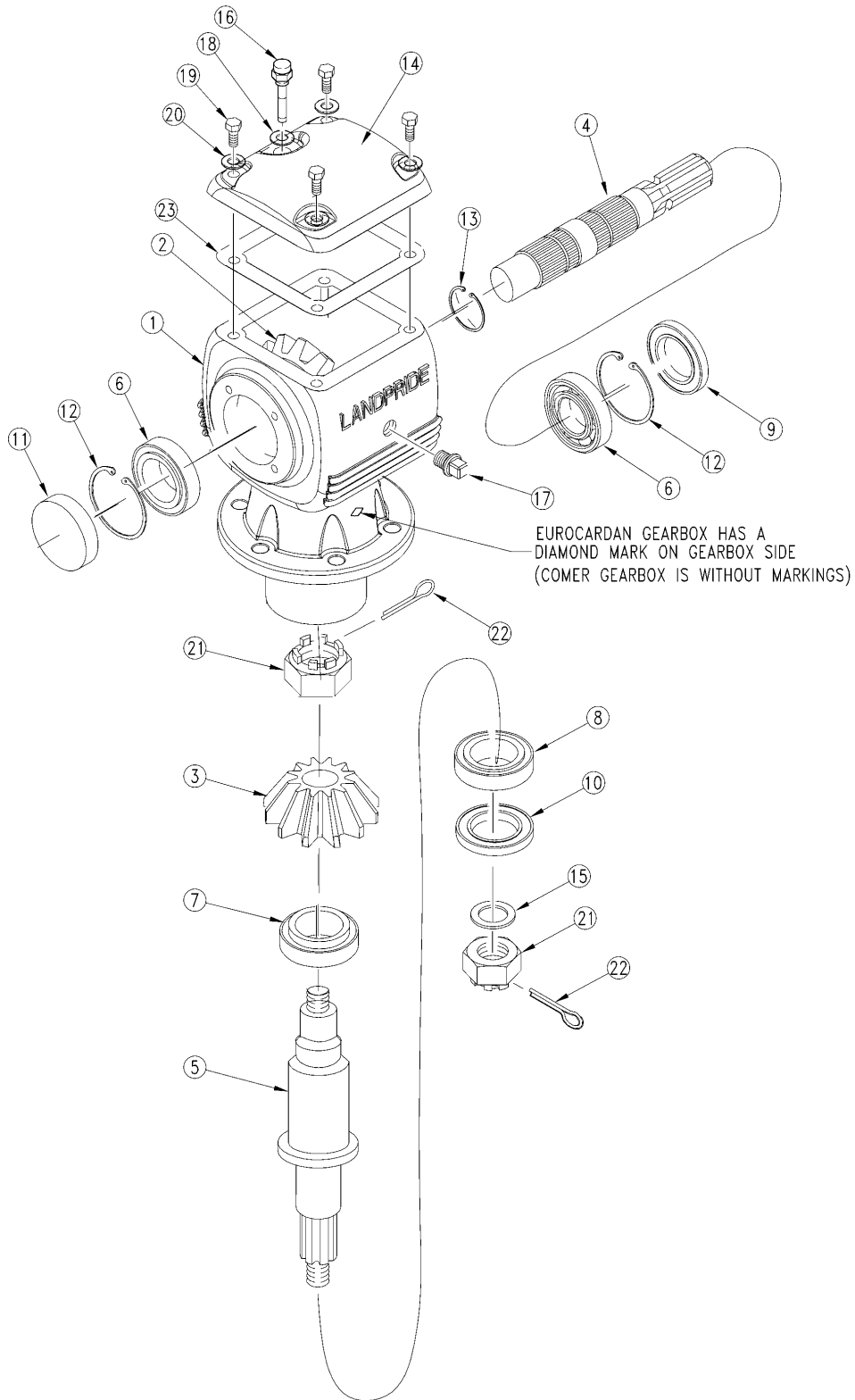
21171

**Gearbox 1000 RPM (826-363C) Comer****Applies to RCM5020**

<b>Ref</b>	<b>Part No.</b>	<b>Part Description</b>	<b>Comments</b>	<b>Revision</b>
	dwg21171	Drawing Image Number		
	826-363C	GBOX RCM60 1.75-20 1.21:1 CW		
1.	U0.125.0532.00	CO HOUSING		
2.	U0.125.6003.00	CO CROWN GEAR Z18 M7.8		
3.	8.0.9.00143	CO BEARING 30209 RTA25		
4.	8.7.3.00331	CO OIL SEAL 45 X 85 X 10		
5.	U0.125.2050.00	CO INPUT SHAFT 1 3/4"-20		
6.	8.5.2.00332	CO SNAP RING UNI 7437		
7.	0.709.7500.00	CO SHIM 84.7		
8.	8.5.1.00533	CO SNAP RING 50 UNI7435		
9.	U0.125.7100.00	CO CASTLE NUT		
10.	0.712.7500.00	CO SHIM 50.3X70.3		
11.	8.0.9.01090	CO BEARING 32210		
12.	1.181.7101.00	CO SEAL PROTECTOR		
13.	8.7.1.02349	CO OIL SEAL 60X110X12		
14.	8.0.9.00079	CO BEARING 30212		
15.	U0.125.3003.00	CO OUTPUT SHAFT		
16.	8.4.7.02265	CO COTTER PIN B 5X60		
17.	0.121.7101.00	CO CAP		
18.	0.288.7101.00	CO BLANK WASHER		
19.	0.252.7525.00	CO SHIM 45.3X2.5		
20.	0.285.7510.00	CO SHIM 40.3 X 61.7 X 1		
21.	U0.125.1301.00	CO COVER		
22.	8.1.1.00501	CO BOLT M8X22 HHB		
23.	U0.125.7003.00	CO OIL LEVEL PLUG SOLD-SPRTLY		
24.	8.6.5.00006	CO OIL PLUG 3/8		
25.	8.4.7.01045	CO COTTER PIN B6X70 SLD-SPRTLY		
26.	8.2.2.00560	CO CASTLE NUT M36X3		
27.	U0.125.5003.00	CO CROWN GEAR Z22 M7.8		

# Gearbox 1000 RPM (826-363C) Eurocardan

Applies to RCM5020



21267

***Gearbox 1000 RPM (826-363C) Eurocardan***

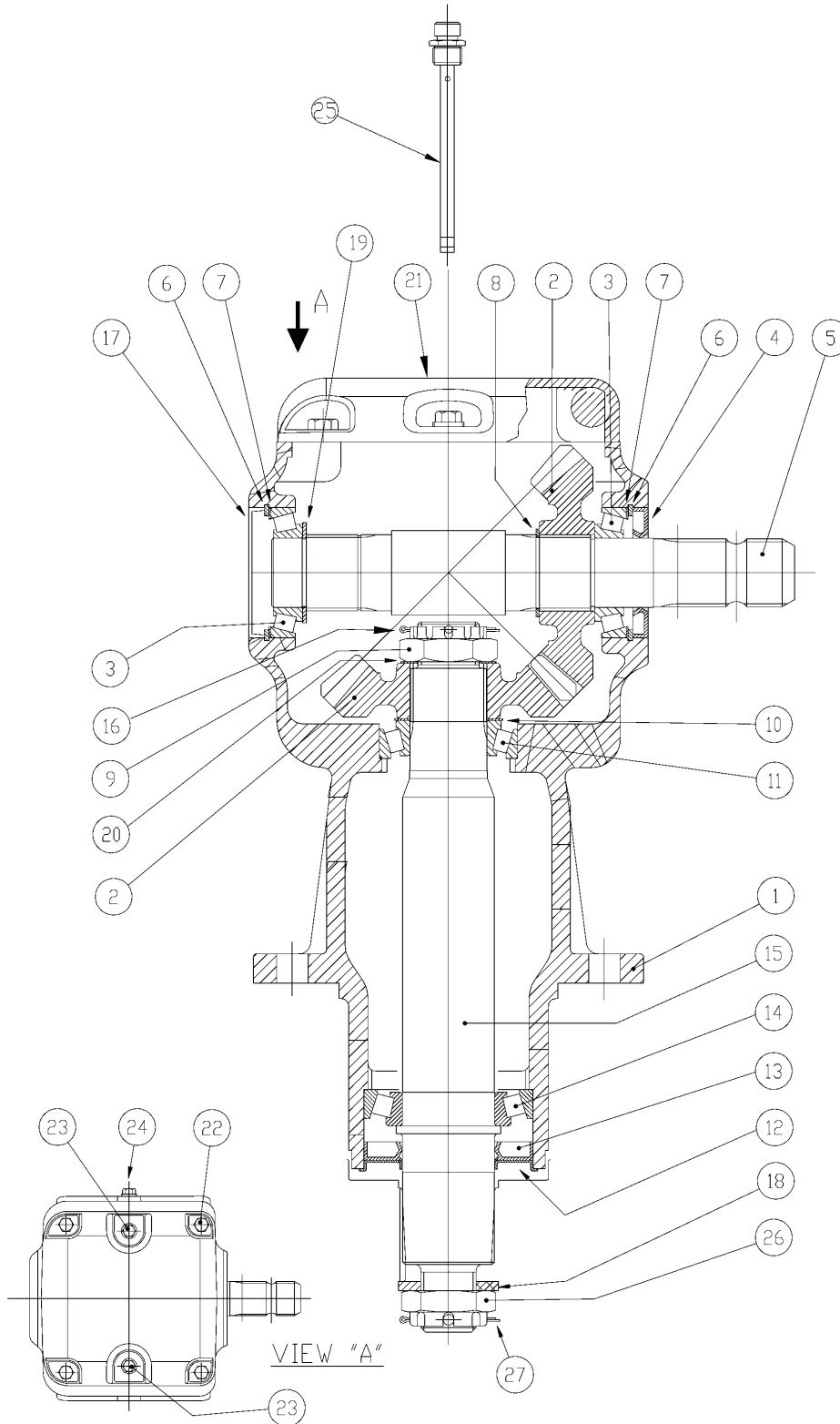
---

**Applies to RCM5020**

<b>Ref</b>	<b>Part No.</b>	<b>Part Description</b>	<b>Comments</b>	<b>Revision</b>
	dwg21267	Drawing Image Number		
	826-363C	GBOX RCM60 1.75-20 1.21:1 CW		
1.	16572-01	HOUSING		
2.	17271-02	BEVEL PINION Z18 M7.8		
3.	17271-01	BEVEL GEAR Z22 M7.80		
4.	12171-03	INPUT SHAFT 1 3/4" Z20		
5.	12172-01	OUTPUT SHAFT		
6.	2032209	TIMKEN CONICAL BEARING		
7.	2732210	TIMKEN CONICAL BEARING		
8.	2030212	TIMKEN CONICAL BEARING		
9.	6204585	SEAL (DOUBLE RIMS)		
10.	6206011	SEAL (DOUBLE RIMS)		
11.	6100085	SIDE RUBBER COVER		
12.	6310085	INTERNAL CIRCLIP DIAM. 85		
13.	6320050	EXTERNAL CIRCLIP DIAM. 50		
14.	16571-03	UPPER COVER		
15.	12071-01	WASHER ID 37; OD 75 H=8		
16.	65316-10	PRES. RELIEF/OIL LEV PLUG L150		
17.	6481600	FR OIL DRAIN PLUG		
18.	6037012	OIL LEVEL PLUG GASKET		
19.	30210025	SCREW M10X25		
20.	34021010	WASHER		
21.	34007036	NOTCH NUT		
22.	6340680	COTTER PIN DIAM. 6X80		
23.	17871-01	UPPER COVER PAPER GASKET		

# Gearbox 1000 RPM (826-471C) Comer

Applies to RCM5020



23970

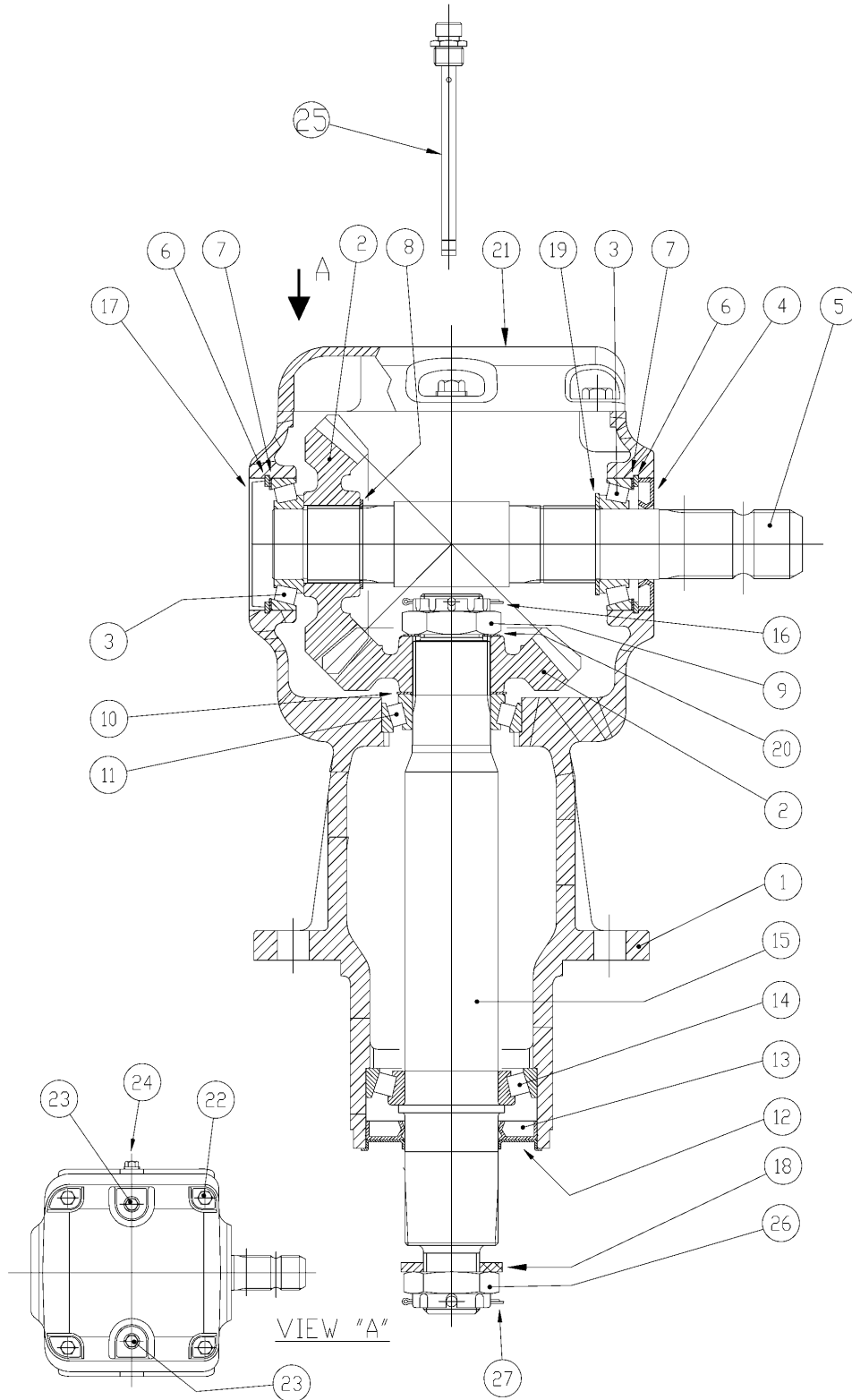
**Gearbox 1000 RPM (826-471C) Comer****Applies to RCM5020**

Ref	Part No.	Part Description	Comments	Revision
	dwg23970	Drawing Image Number		
	826-471C	GBOX RCM60 1.75-20 1:1 CW *		
1.	U0.125.0532.00	CO HOUSING		
2.	U0.125.5004.00	GEAR CROWN Z21 M7.75		
3.	8.0.9.00143	CO BEARING 30209 RTA25		
4.	8.7.3.00331	CO OIL SEAL 45 X 85 X 10		
5.	U0.125.2050.00	CO INPUT SHAFT 1 3/4"-20		
6.	8.5.2.00332	CO SNAP RING UNI 7437		
7.	0.709.7500.00	CO SHIM 84.7		
8.	8.5.1.00533	CO SNAP RING 50 UNI7435		
9.	U0.125.7100.00	CO CASTLE NUT		
10.	A.712.500	COMER SHIM KIT		
11.	8.0.9.01090	CO BEARING 32210		
12.	1.181.7101.00	CO SEAL PROTECTOR		
13.	8.7.1.02349	CO OIL SEAL 60X110X12		
14.	8.0.9.00079	CO BEARING 30212		
15.	U0.125.3003.00	CO OUTPUT SHAFT		
16.	8.4.7.02265	CO COTTER PIN B 5X60		
17.	0.121.7101.00	CO CAP		
18.	0.288.7101.00	CO BLANK WASHER		
19.	0.252.7525.00	CO SHIM 45.3X2.5		
20.	0.285.7510.00	CO SHIM 40.3 X 61.7 X 1		
21.	U0.125.1303.00	COVER		
22.	8.1.1.00501	CO BOLT M8X22 HHB		
23.	8.6.5.00203	CO PLUG 1/2" GAS		
24.	8.6.5.00006	CO OIL PLUG 3/8		
25.	826-486C	COMER U0.125.7003.00 OIL PLUG		
26.	8.2.2.00560	CO CASTLE NUT M36X3		
27.	8.4.7.01045	CO COTTER PIN B6X70 SLD-SPRTLY		



# Gearbox 1000 RPM (826-472C) Comer

Applies to RCM5020



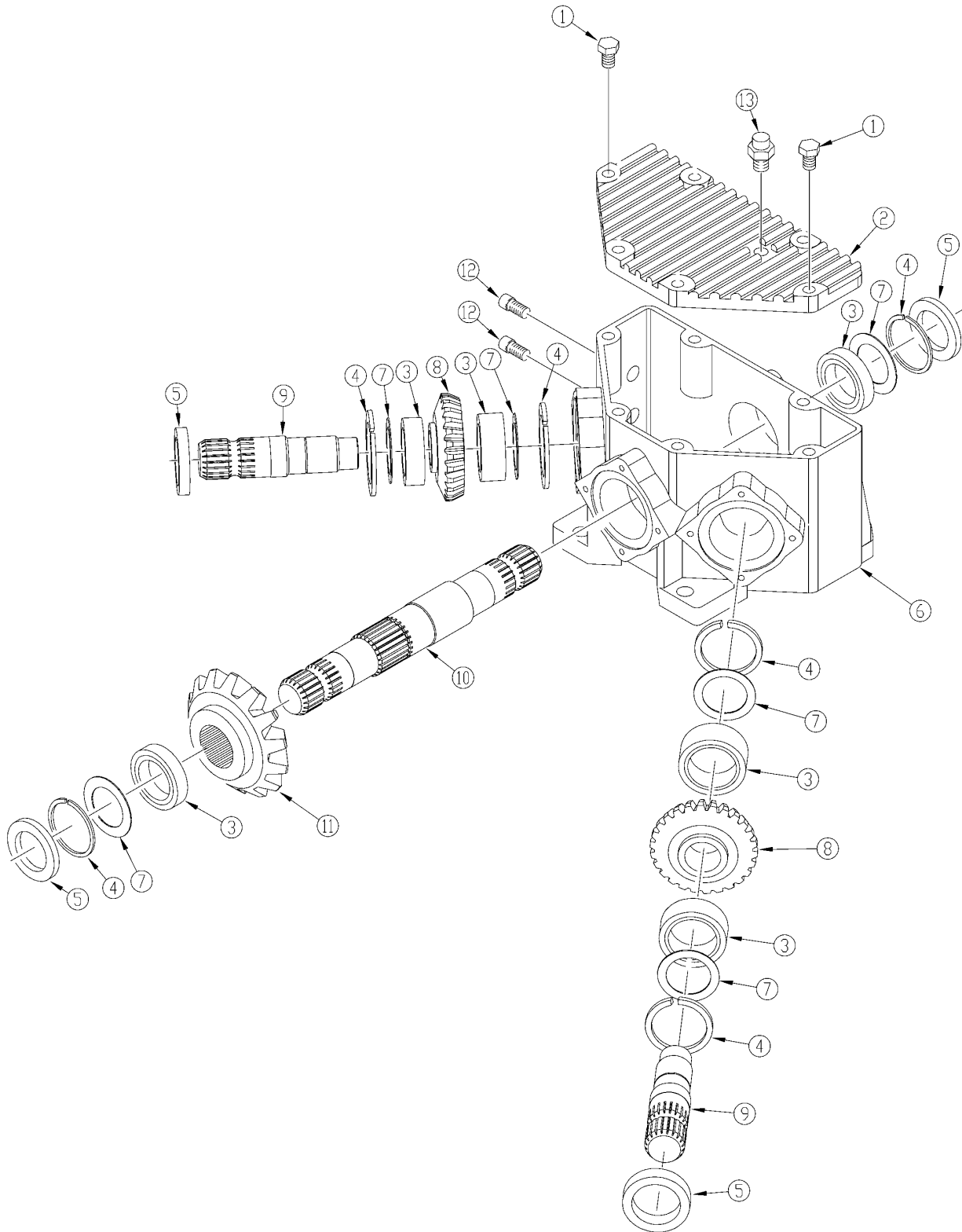
23971

**Gearbox 1000 RPM (826-472C) Comer****Applies to RCM5020**

Ref	Part No.	Part Description	Comments	Revision
	dwg23971	Drawing Image Number		
	826-472C	GBOX RCM60 1.75-20 1:1 CCW *		
1.	U0.125.0532.00	CO HOUSING		
2.	U0.125.5004.00	GEAR CROWN Z21 M7.75		
3.	8.0.9.00143	CO BEARING 30209 RTA25		
4.	8.7.3.00331	CO OIL SEAL 45 X 85 X 10		
5.	U0.125.2050.00	CO INPUT SHAFT 1 3/4"-20		
6.	8.5.2.00332	CO SNAP RING UNI 7437		
7.	0.709.7500.00	CO SHIM 84.7		
8.	8.5.1.00533	CO SNAP RING 50 UNI7435		
9.	U0.125.7100.00	CO CASTLE NUT		
10.	A.712.500	COMER SHIM KIT		
11.	8.0.9.01090	CO BEARING 32210		
12.	1.181.7101.00	CO SEAL PROTECTOR		
13.	8.7.1.02349	CO OIL SEAL 60X110X12		
14.	8.0.9.00079	CO BEARING 30212		
15.	U0.125.3003.00	CO OUTPUT SHAFT		
16.	8.4.7.02265	CO COTTER PIN B 5X60		
17.	0.121.7101.00	CO CAP		
18.	0.288.7101.00	CO BLANK WASHER		
19.	0.252.7525.00	CO SHIM 45.3X2.5		
20.	0.285.7510.00	CO SHIM 40.3 X 61.7 X 1		
21.	U0.125.1303.00	COVER		
22.	8.1.1.00501	CO BOLT M8X22 HHB		
23.	8.6.5.00203	CO PLUG 1/2" GAS		
24.	8.6.5.00006	CO OIL PLUG 3/8		
25.	826-486C	COMER U0.125.7003.00 OIL PLUG		
26.	8.2.2.00560	CO CASTLE NUT M36X3		
27.	8.4.7.01045	CO COTTER PIN B6X70 SLD-SPRTLY		

# Gearbox Divider 1000 RPM (826-180C) Comer

Applies to RCM5020



19604

***Gearbox Divider 1000 RPM (826-180C) Comer***

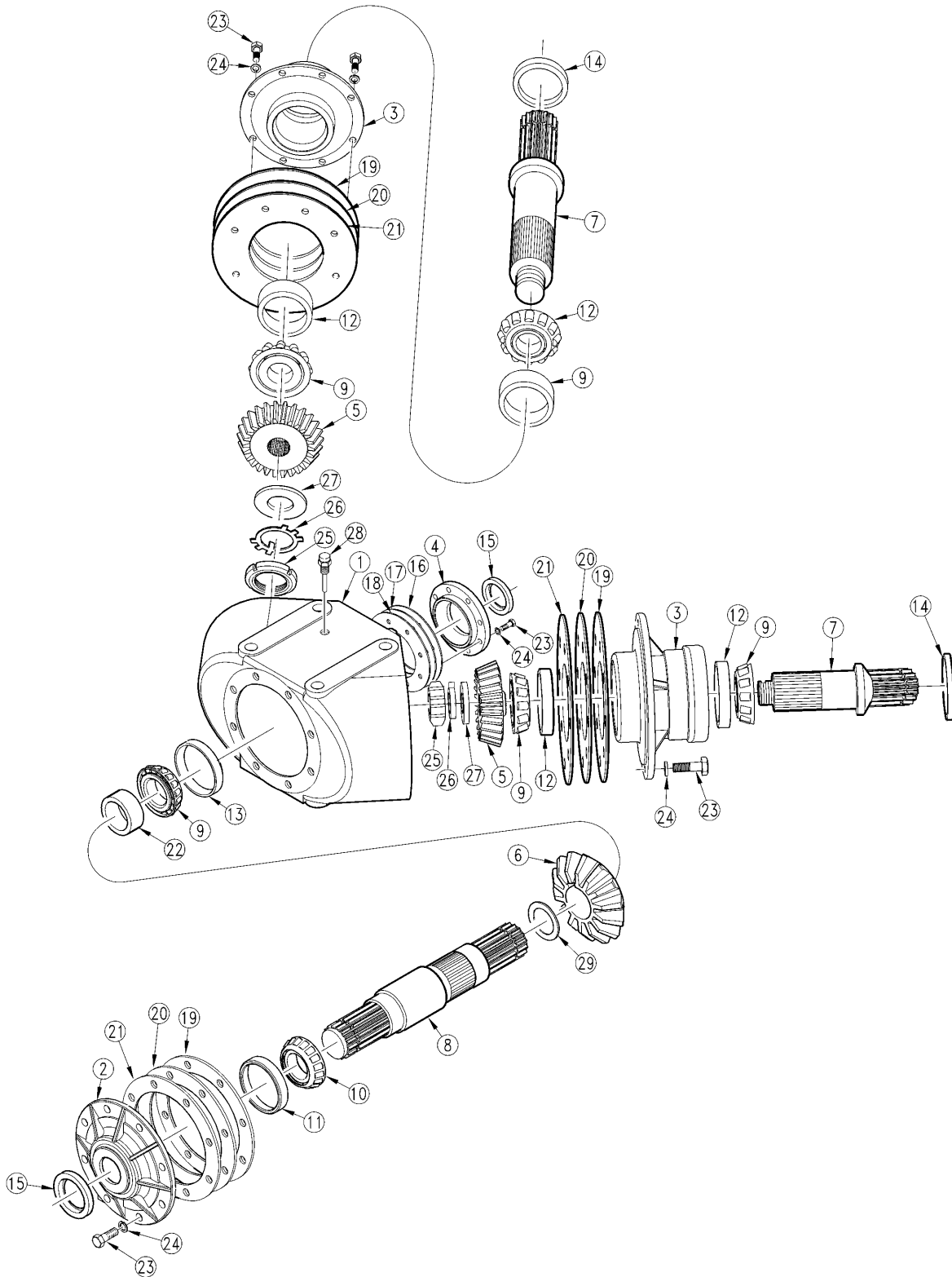
---

**Applies to RCM5020**

<b>Ref</b>	<b>Part No.</b>	<b>Part Description</b>	<b>Comments</b>	<b>Revision</b>
	dwg19604	Drawing Image Number		
	826-180C	DIV OMNI/CO 1000RPM 1 3/4-20		
1.	8.1.1.00109	CO BOLT M10 X 35 8.8		
2.	0.305.1300.00	TOP COVER PLATE		
3.	8.0.9.00143	CO BEARING 30209 RTA25		
4.	8.5.2.01772	CO SNAP RING		
5.	8.7.3.00331	CO OIL SEAL 45 X 85 X 10		
6.	0.305.0300.01	CO CASING		
7.	0.709.7500.00	CO SHIM 84.7		
8.	0.305.5001.00	CO GEAR M6.5 Z24		
9.	0.305.3000.00	CO SHAFT 1" 3/4 Z20		
10.	0.305.2000.00	CO SHAFT 1" 3/4 Z20		
11.	0.305.6000.00	CO GEAR M6.5 Z20		
12.	8.6.6.00201	CO PLUG 3/8 GAS		
13.	8.6.7.00269	CO 1/2" GAS BREATHER PLUG		

# Gearbox Divider 1000 RPM (826-180C) OMNI

Applies to RCM5020



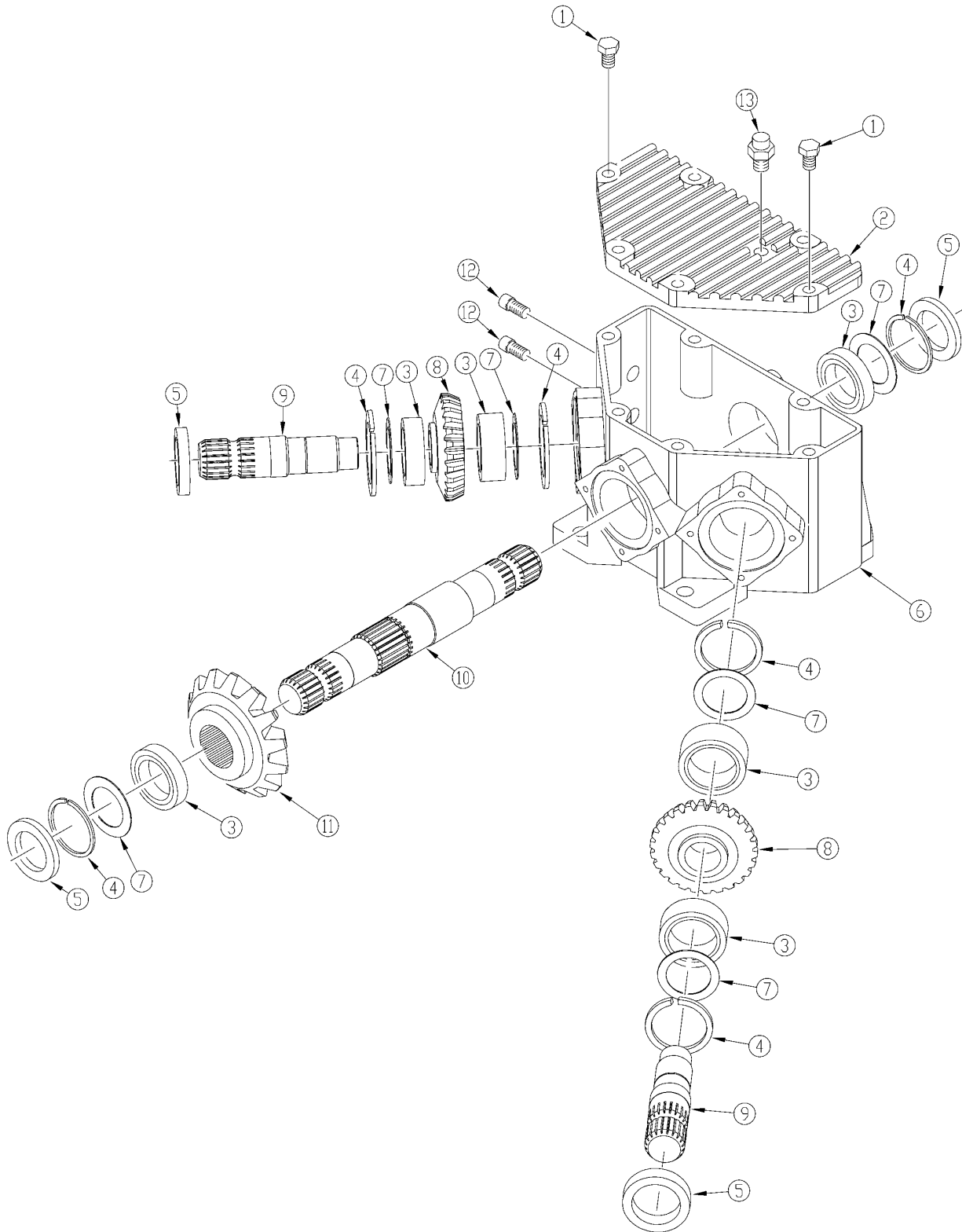
15504

***Gearbox Divider 1000 RPM (826-180C) OMNI*****Applies to RCM5020**

<b>Ref</b>	<b>Part No.</b>	<b>Part Description</b>	<b>Comments</b>	<b>Revision</b>
	dwg15504	Drawing Image Number		
	826-180C	DIV OMNI/CO 1000RPM 1 3/4-20		
1.	010063	OMNI HOUSING RCD101HD		
2.	020162	OMNI INPUT CAP		
3.	020061	OMNI CANTILEVERED OUTPUT CAP		
4.	020110	OMNI OUTPUT CAP		
5.	030194	OMNI GEAR, 26T		
6.	030193	OMNI PINION, 20T		
7.	040121	OMNI OUTPUT SHAFT,1.75-20SHORT		
8.	040124	OMNI INPUT SHAFT, 1.75-20 LONG		
9.	050008	OMNI BEARING CONE - 368		
10.	050012	OMNI BEARING CONE -LM603049		
11.	050013	OMNI BEARING CUP - LM 603014		
12.	050014	BEARING CUP - 362A, OMNI		
13.	050015	BEARING CUP - 362, OMNI		
14.	060020	OMNI OUTPUT SEAL		
15.	060051	OMNI THRU SHAFT SEAL		
16.	070057	OMNI GASKET, 0.30MM		
17.	070058	OMNI GASKET, 0.15MM		
18.	070151	OMNI INPUT GASKET, 0.10MM		
19.	070140	GASKET - .30, OMNI		
20.	070141	GASKET - .15, OMNI		
21.	070142	GASKET - .10, OMNI		
22.	090003	SPACER, OMNI		
23.	802-079C	HHCS 3/8-16X1 1/4 GR5		
24.	804-013C	WASHER LOCK SPRING 3/8 PLT		
25.	120025	OMNI LOCKNUT, TN-06		
26.	130030	OMNI LOCKWASHER, TW-06		
27.	130021	OMNI FLAT WASHER		
28.	140046	OMNI PLUG 1/2-14NPT,PRW/OIL LV.		
29.	200003	OMNI RETAINING RING		

# Gearbox Divider 1000 RPM (826-521C) Comer

Applies to RCM5020



19604

**Gearbox Divider 1000 RPM (826-521C) Comer**

---

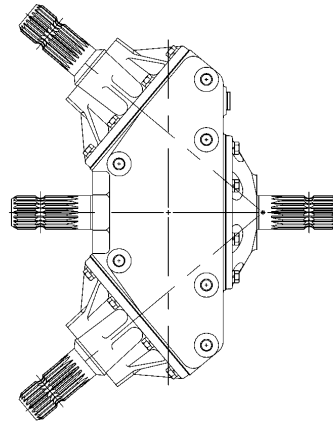
**Applies to RCM5020**

<b>Ref</b>	<b>Part No.</b>	<b>Part Description</b>	<b>Comments</b>	<b>Revision</b>
	dwg19604	Drawing Image Number		
	826-521C	DIV BOX COMER 1000RPM 1 3/4-20 *		
1.	8.1.1.00109	CO BOLT M10 X 35 8.8		
2.	0.305.1300.00	TOP COVER PLATE		
3.	8.0.9.00143	CO BEARING 30209 RTA25		
4.	8.5.2.01772	CO SNAP RING		
5.	8.7.3.00331	CO OIL SEAL 45 X 85 X 10		
6.	0.305.0300.01	CO CASING		
7.	0.709.7500.00	CO SHIM 84.7		
8.	0.305.5001.00	CO GEAR M6.5 Z24		
9.	0.305.3000.00	CO SHAFT 1" 3/4 Z20		
10.	0.305.2000.00	CO SHAFT 1" 3/4 Z20		
11.	0.305.6000.00	CO GEAR M6.5 Z20		
12.	8.6.6.00201	CO PLUG 3/8 GAS		
13.	8.6.7.00269	CO 1/2" GAS BREATHER PLUG		

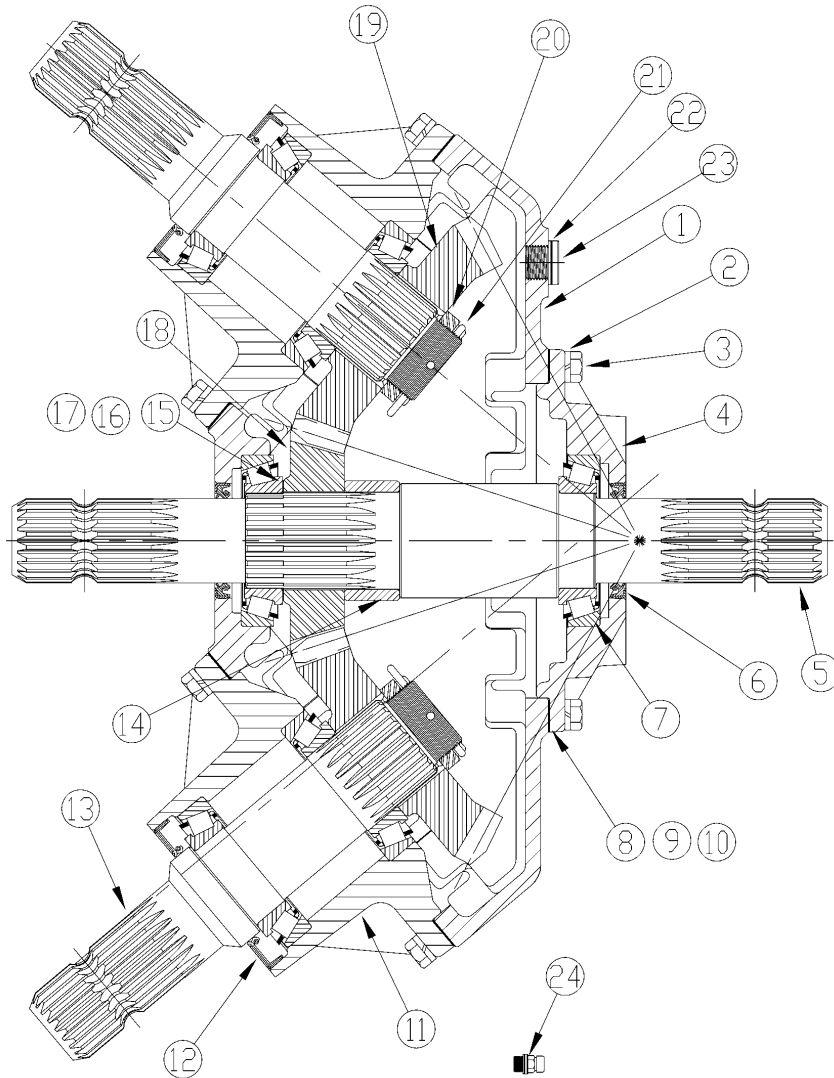


# ***Gearbox Divider 1000 RPM (826-521C) ITG***

**Applies to RCM5020**



VISUAL AID FOR PARTS



25682

**Gearbox Divider 1000 RPM (826-521C) ITG**

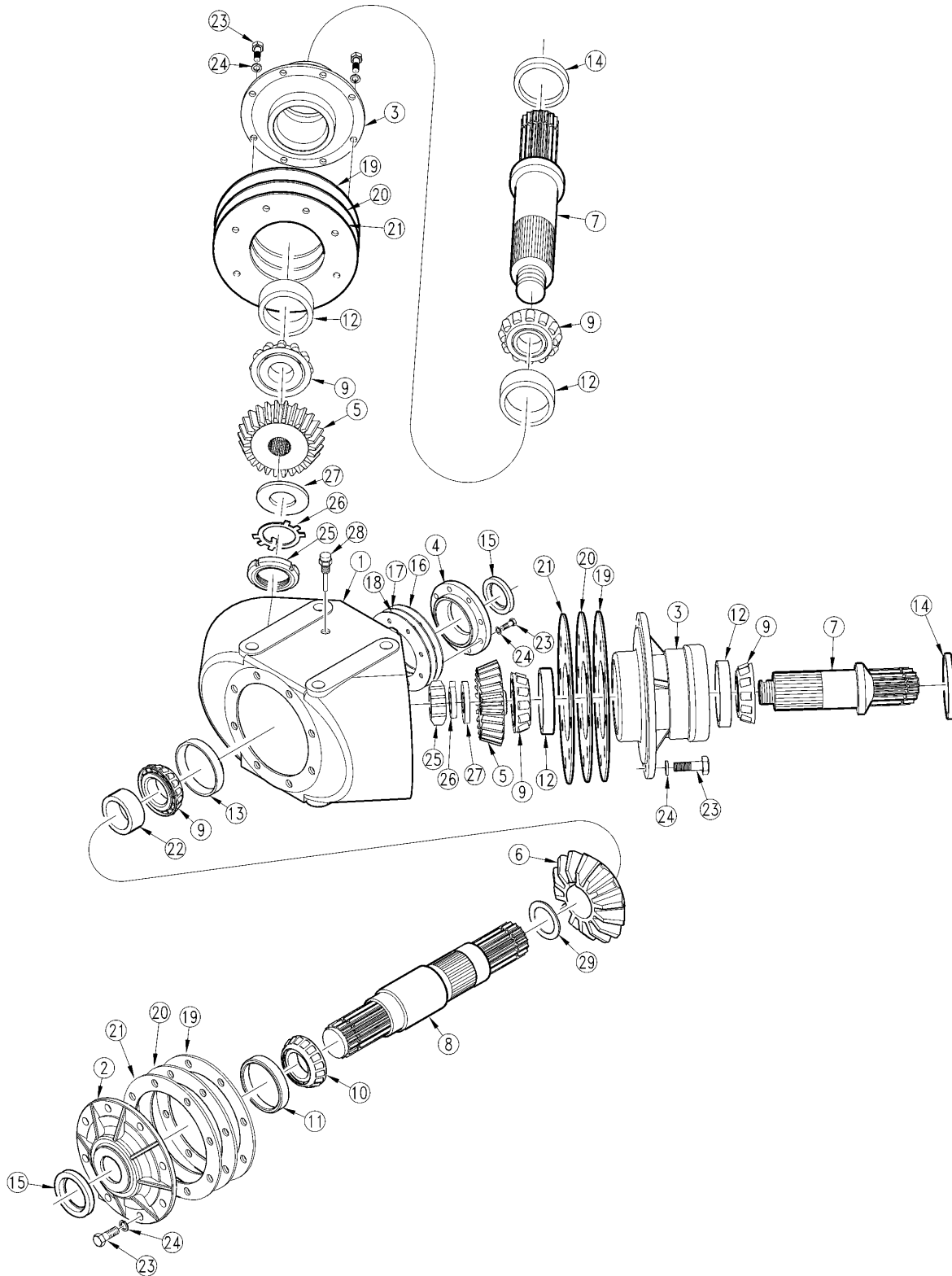
---

**Applies to RCM5020**

<b>Ref</b>	<b>Part No.</b>	<b>Part Description</b>	<b>Comments</b>	<b>Revision</b>
	dwg25682	Drawing Image Number		
	826-521C	DIV BOX 1000RPM 1 3/4-20 *		
1.	18-059	ITG HOUSING		
2.	804-158C	WASHER SPRING LOCK M10 PLT		
3.	06-003	ITG M10 X 1.5 X 30 CAP SCREW		
4.	20-019	ITG INPUT CAP SPLITTER BOX		
5.	02-038	ITG INPUT SHAFT		
6.	05-007	ITG INPUT SHAFT OIL SEAL		
7.	04-011	ITG BRG ASSEMBLY		
8.	08-006	ITG INPUT CAP GASKET 0.10MM		
9.	08-007	ITG INPUT CAP GASKET 0.25MM		
10.	08-008	ITG IN & OUT CAP GASKET 0.45MM		
11.	20-018	ITG HORIZONTAL HUB CAP		
12.	05-012B	ITG OUTPUT SEAL 58X95X10 THK		
13.	02-039	ITG OUTPUT SHAFT		
14.	10-001	ITG SPACER		
15.	17-002	ITG SHIM 0.3		
16.	17-001	ITG SHIM 0.4		
17.	17-003	ITG SHIM 0.5		
18.	03-126	19 TOOTH GEAR		
19.	03-127	ITG 23 TOOTH GEAR		
20.	11-012	ITG BRG ADJ. NUT		
21.	12-008	ITG COTTER PIN		
22.	07-022	ITG SEALING WASHER		
23.	09-013	ITG DRAIN PLUG		
24.	09-011	ITG M18 X 1.5P PLUG VENTED		

# Gearbox Divider 1000 RPM (826-521C) Omni

Applies to RCM5020



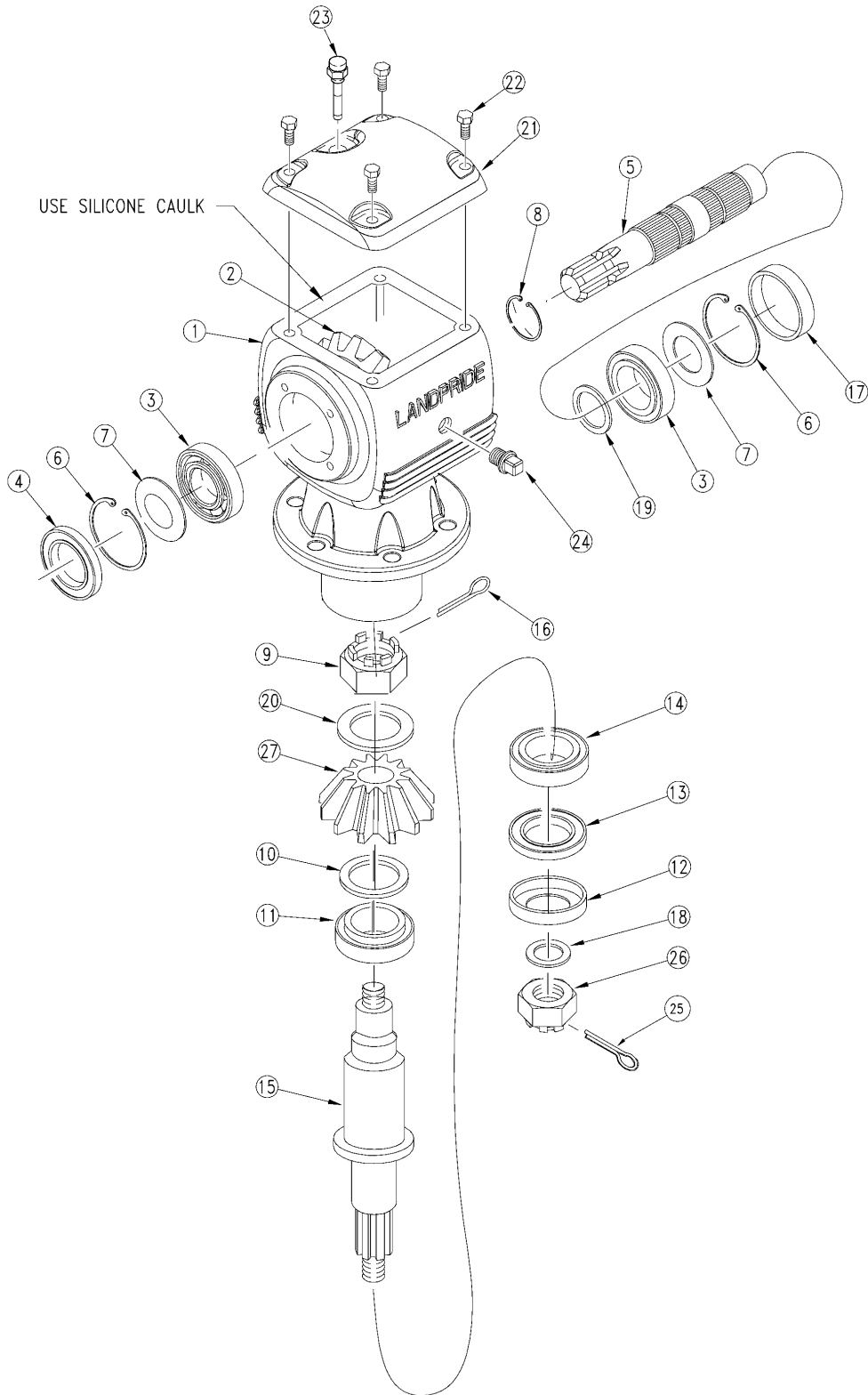
26707

***Gearbox Divider 1000 RPM (826-521C) Omni*****Applies to RCM5020**

<b>Ref</b>	<b>Part No.</b>	<b>Part Description</b>	<b>Comments</b>	<b>Revision</b>
	dwg26707	Drawing Image Number		
1.	010063	OMNI HOUSING RCD101HD		
2.	020162	OMNI INPUT CAP		
3.	020061	OMNI CANTILEVERED OUTPUT CAP		
4.	020110	OMNI OUTPUT CAP		
5.	030194	OMNI GEAR, 26T		
6.	030193	OMNI PINION, 20T		
7.	040121	OMNI OUTPUT SHAFT,1.75-20SHORT		
8.	040124	OMNI INPUT SHAFT, 1.75-20 LONG		
9.	050008	OMNI BRG CONE - 368		
10.	050012	OMNI BRG CONE -LM603049		
11.	050013	OMNI BRG CUP - LM 603014		
12.	050014	BRG CUP - 362A, OMNI		
13.	050015	BRG CUP - 362, OMNI		
14.	060020	OMNI OUTPUT SEAL		
15.	060051	OMNI THRU SHAFT SEAL		
16.	070057	OMNI GASKET, 0.30MM		
17.	070058	OMNI GASKET, 0.15MM		
18.	070151	OMNI INPUT GASKET, 0.10MM		
19.	070140	OMNI GASKET 0.30MM		
20.	070141	OMNI GASKET 0.15MM		
21.	070142	OMNI GASKET 0.10MM		
22.	090003	SPACER, OMNI		
23.	802-079C	HHCS 3/8-16X1 1/4 GR5		
24.	804-013C	WASHER LOCK SPRING 3/8 PLT		
25.	120025	OMNI LOCKNUT, TN-06		
26.	130030	OMNI LOCKWASHER, TW-06		
27.	130021	OMNI FLAT WASHER		
28.	140046	OMNI LEVEL PLUG 1/2-14NPT,PRW		
29.	200003	OMNI RETAINING RING		

# Gearbox 540 & 1000 RPM (826-322C) Comer

Applies to RC5020

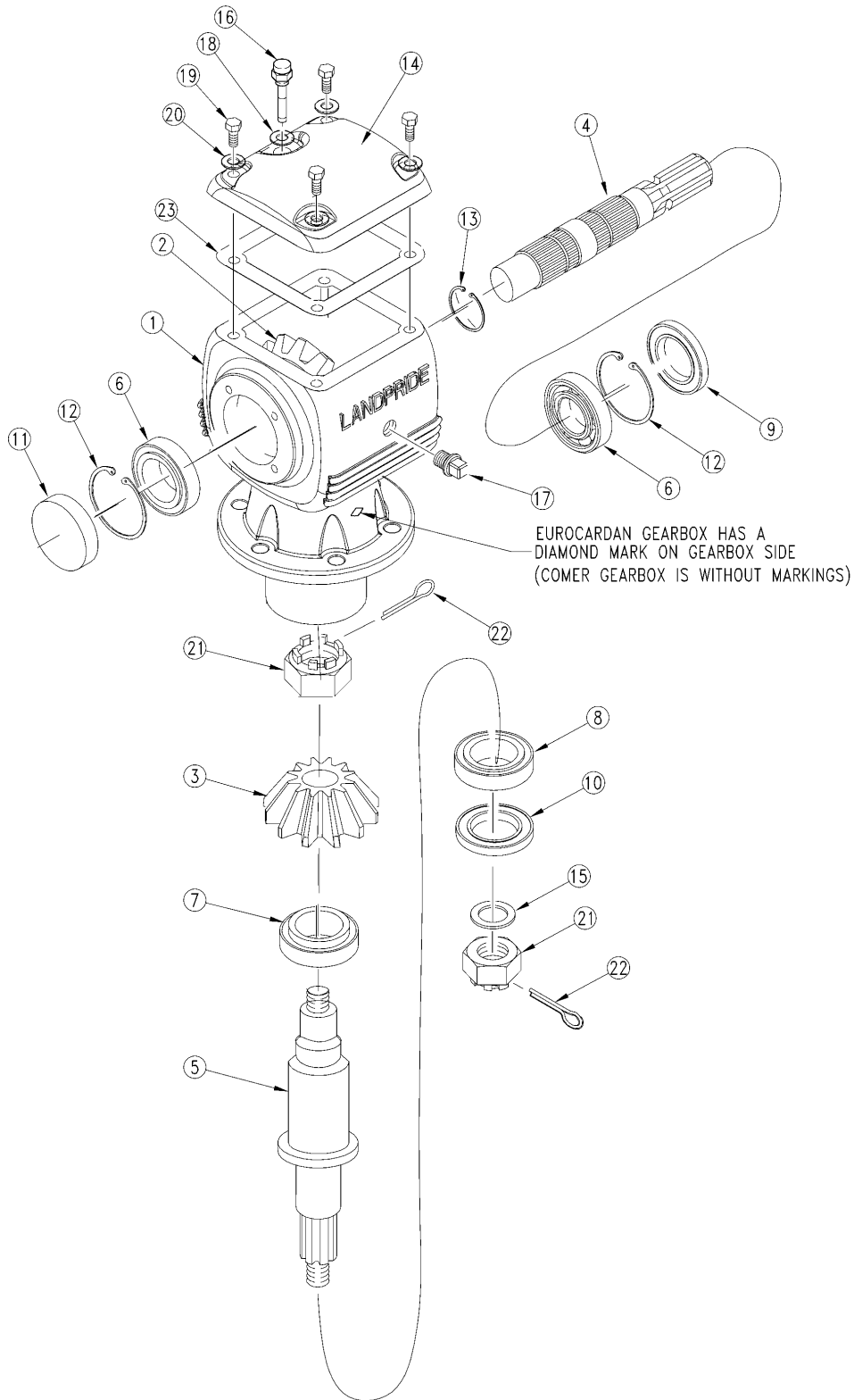


**Gearbox 540 & 1000 RPM (826-322C) Comer****Applies to RC5020**

Ref	Part No.	Part Description	Comments	Revision
	dwg21167	Drawing Image Number		
	826-322C	GBOX RCM60 1.75-20 1:1.21 CCW *		
1.	U0.125.0532.00	CO HOUSING		
2.	U0.125.5003.00	CO CROWN GEAR Z22 M7.8		
3.	8.0.9.00143	CO BEARING 30209 RTA25		
4.	8.7.3.00331	CO OIL SEAL 45 X 85 X 10		
5.	U0.125.2050.00	CO INPUT SHAFT 1 3/4"-20		
6.	8.5.2.00332	CO SNAP RING UNI 7437		
7.	0.709.7500.00	CO SHIM 84.7		
8.	8.5.1.00533	CO SNAP RING 50 UNI7435		
9.	U0.125.7100.00	CO CASTLE NUT		
10.	0.712.7500.00	CO SHIM 50.3X70.3		
11.	8.0.9.01090	CO BEARING 32210		
12.	1.181.7101.00	CO SEAL PROTECTOR		
13.	8.7.1.02349	CO OIL SEAL 60X110X12		
14.	8.0.9.00079	CO BEARING 30212		
15.	U0.125.3003.00	CO OUTPUT SHAFT		
16.	8.4.7.02265	CO COTTER PIN B 5X60		
17.	0.121.7101.00	CO CAP		
18.	0.288.7101.00	CO BLANK WASHER		
19.	0.252.7525.00	CO SHIM 45.3X2.5		
20.	0.285.7510.00	CO SHIM 40.3 X 61.7 X 1		
21.	U0.125.1303.00	CO TOP COVER	S/N 533951+	
22.	8.1.1.00501	CO BOLT M8X22 HHB		
23.	U0.125.7003.00	CO OIL LEVEL PLUG SOLD-SPRTLY		
24.	8.6.5.00006	CO OIL PLUG 3/8		
25.	8.4.7.01045	CO COTTER PIN B6X70 SLD-SPRTLY		
26.	8.2.2.00560	CO CASTLE NUT M36X3		
27.	U0.125.6003.00	CO CROWN GEAR Z18 M7.8		

# Gearbox 540 & 1000 RPM (826-324C) Eurocardan

Applies to RC5020



21267

**Gearbox 540 & 1000 RPM (826-324C) Eurocardan**

---

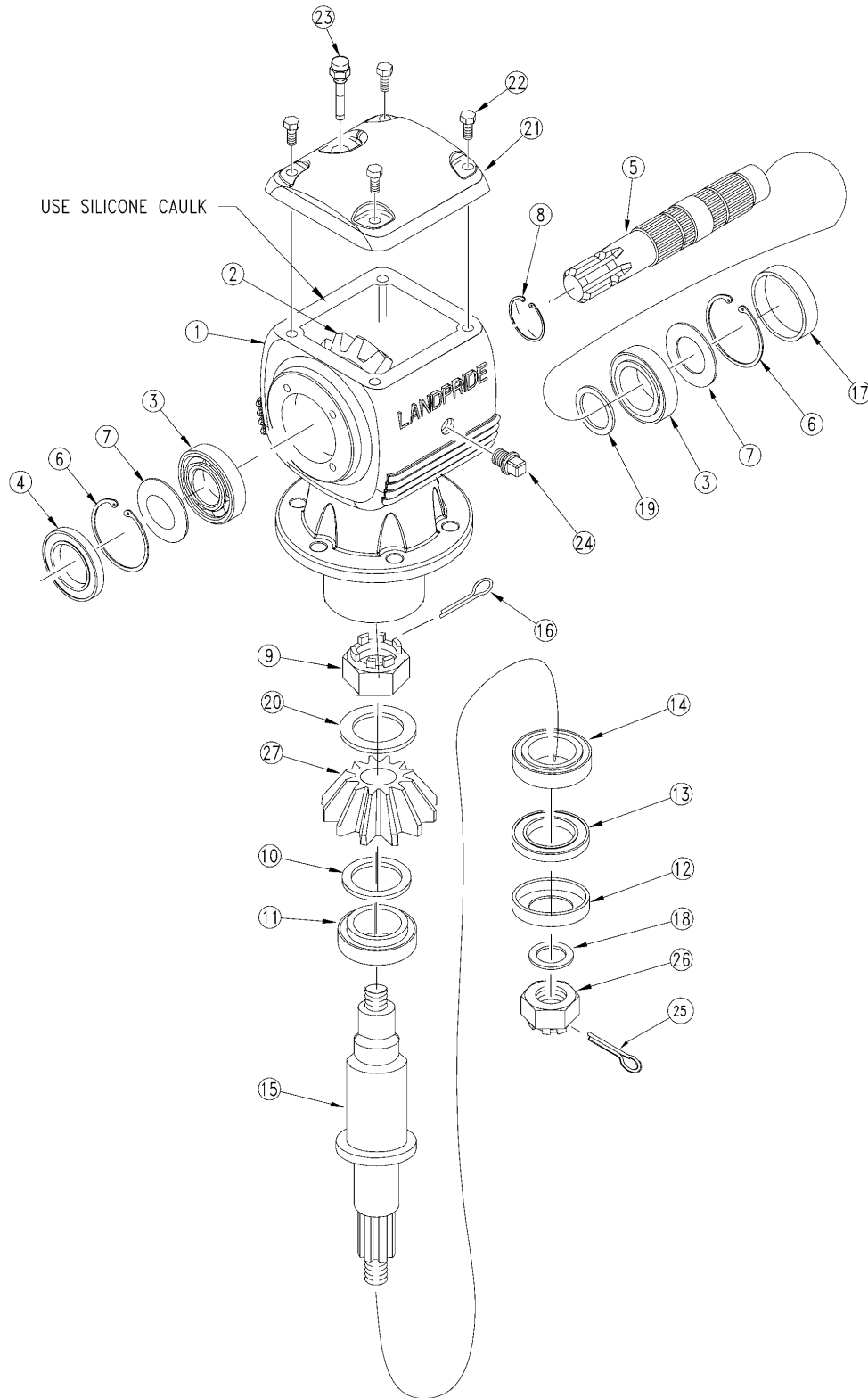
**Applies to RC5020**

<b>Ref</b>	<b>Part No.</b>	<b>Part Description</b>	<b>Comments</b>	<b>Revision</b>
	dwg21267	Drawing Image Number		
	826-324C	GBOX RCM60 1.75-20 1:1.21 CW		
1.	16572-01	HOUSING		
2.	17271-01	BEVEL GEAR Z22 M7.80		
3.	17271-02	BEVEL PINION Z18 M7.8		
4.	12171-03	INPUT SHAFT 1 3/4" Z20		
5.	12172-01	OUTPUT SHAFT		
6.	2032209	TIMKEN CONICAL BEARING		
7.	2732210	TIMKEN CONICAL BEARING		
8.	2030212	TIMKEN CONICAL BEARING		
9.	6204585	SEAL (DOUBLE RIMS)		
10.	6206011	SEAL (DOUBLE RIMS)		
11.	6100085	SIDE RUBBER COVER		
12.	6310085	INTERNAL CIRCLIP DIAM. 85		
13.	6320050	EXTERNAL CIRCLIP DIAM. 50		
14.	16571-03	UPPER COVER		
15.	12071-01	WASHER ID 37; OD 75 H=8		
16.	65316-10	PRES. RELIEF/OIL LEV PLUG L150		
17.	6481600	FR OIL DRAIN PLUG		
18.	6037012	OIL LEVEL PLUG GASKET		
19.	30210025	SCREW M10X25		
20.	34021010	WASHER		
21.	34007036	NOTCH NUT		
22.	6340680	COTTER PIN DIAM. 6X80		
23.	17871-01	UPPER COVER PAPER GASKET		



# Gearbox 540 RPM (826-320C) Comer

Applies to RC5020



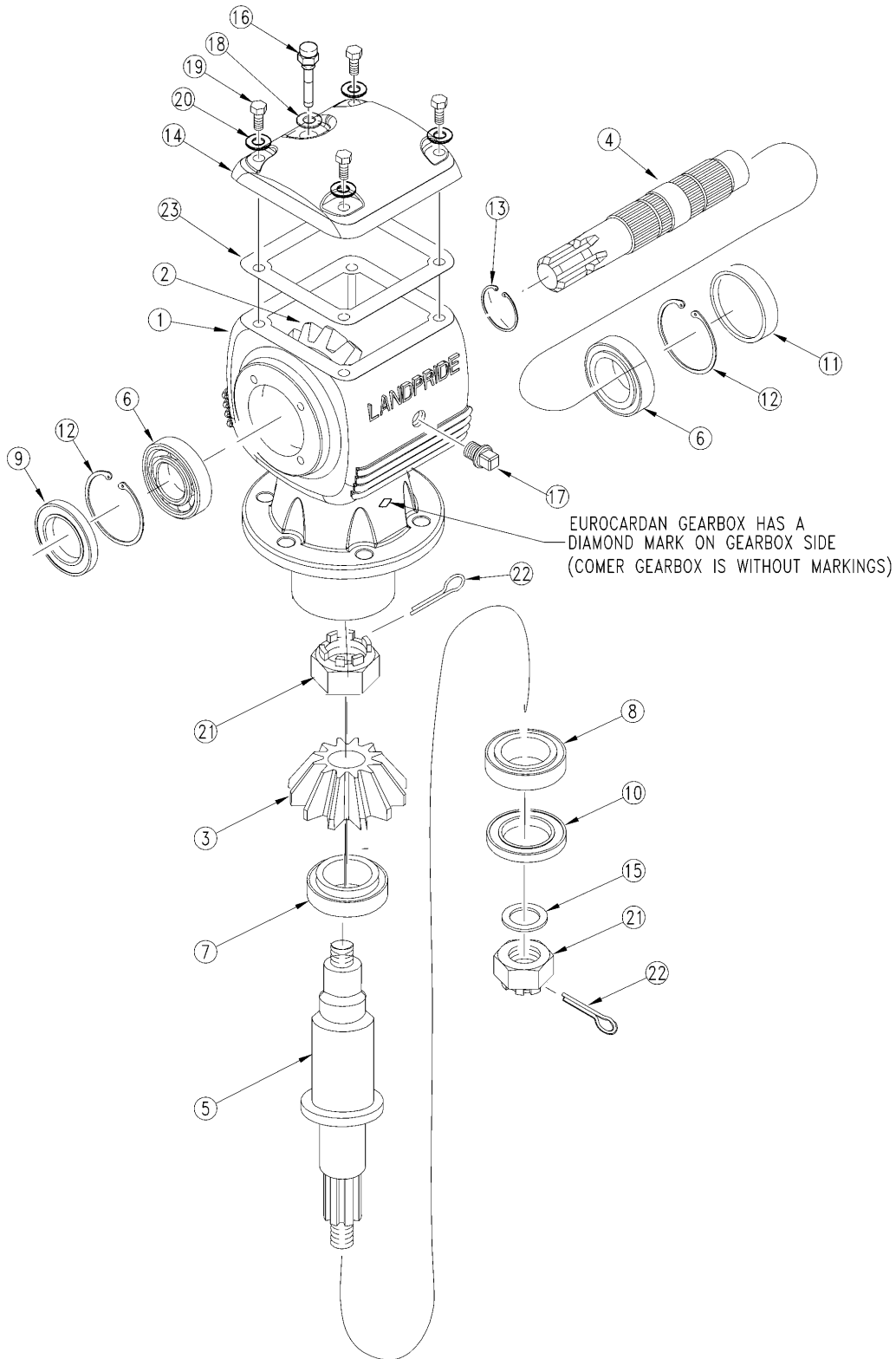
21167

**Gearbox 540 RPM (826-320C) Comer****Applies to RC5020**

Ref	Part No.	Part Description	Comments	Revision
	dwg21167	Drawing Image Number		
	826-320C	GBOX RC60 1.75-20 1:1.46 CCW		
1.	U0.125.5005.00	CO HOUSING		
2.	U0.125.5005.00	CO CROWN GEAR Z22 M8		
3.	8.0.9.00143	CO BEARING 30209 RTA25		
4.	8.7.3.00331	CO OIL SEAL 45 X 85 X 10		
5.	U0.125.2050.00	CO INPUT SHAFT 1 3/4"-20		
6.	8.5.2.00332	CO SNAP RING UNI 7437		
7.	0.709.7500.00	CO SHIM 84.7		
8.	8.5.1.00533	CO SNAP RING 50 UNI7435		
9.	U0.125.7100.00	CO CASTLE NUT		
10.	0.712.7500.00	CO SHIM 50.3X70.3		
11.	8.0.9.01090	CO BEARING 32210		
12.	1.181.7101.00	CO SEAL PROTECTOR		
13.	8.7.1.02349	CO OIL SEAL 60X110X12		
14.	8.0.9.00079	CO BEARING 30212		
15.	U0.125.3003.00	CO OUTPUT SHAFT		
16.	8.4.7.02265	CO COTTER PIN B 5X60		
17.	0.121.7101.00	CO CAP		
18.	0.288.7101.00	CO BLANK WASHER		
19.	0.252.7525.00	CO SHIM 45.3X2.5		
20.	0.285.7510.00	CO SHIM 40.3 X 61.7 X 1		
21.	U0.125.1303.00	CO TOP COVER	S/N 533951+	
22.	8.1.1.00501	CO BOLT M8X22 HHB		
23.	U0.125.7003.00	CO OIL LEVEL PLUG SOLD-SPRTLY		
24.	8.6.5.00006	CO OIL PLUG 3/8		
25.	8.4.7.01045	CO COTTER PIN B6X70 SLD-SPRTLY		
26.	8.2.2.00560	CO CASTLE NUT M36X3		
27.	U0.125.6004.00	CO CROWN GEAR Z15 M8		

# Gearbox 540 RPM (826-320C) Eurocardan

Applies to RC5020



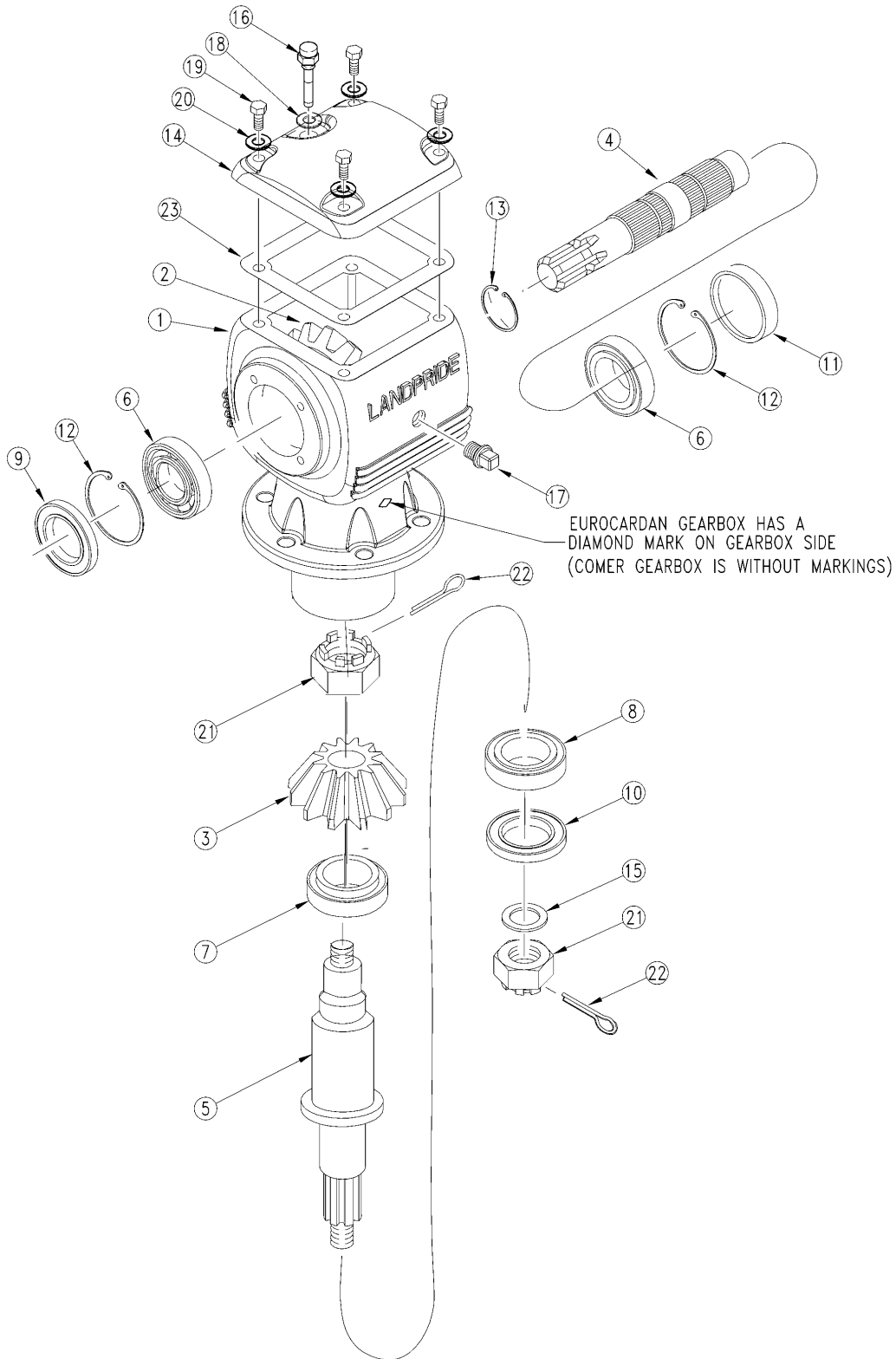
21266

**Gearbox 540 RPM (826-320C) Eurocardan****Applies to RC5020**

<b>Ref</b>	<b>Part No.</b>	<b>Part Description</b>	<b>Comments</b>	<b>Revision</b>
	dwg21266	Drawing Image Number		
	826-320C	GBOX RC60 1.75-20 1:1.46 CCW		
1.	16572-01	HOUSING		
2.	17271-03	BEVEL GEAR Z22 M8		
3.	17271-04	BEVEL PINION Z15 M8		
4.	12171-03	INPUT SHAFT 1 3/4" Z20		
5.	12172-01	OUTPUT SHAFT		
6.	2032209	TIMKEN CONICAL BEARING		
7.	2732210	TIMKEN CONICAL BEARING		
8.	2030212	TIMKEN CONICAL BEARING		
9.	6204585	SEAL (DOUBLE RIMS)		
10.	6206011	SEAL (DOUBLE RIMS)		
11.	6100085	SIDE RUBBER COVER		
12.	6310085	INTERNAL CIRCLIP DIAM. 85		
13.	6320050	EXTERNAL CIRCLIP DIAM. 50		
14.	16571-03	UPPER COVER		
15.	12071-01	WASHER ID 37; OD 75 H=8		
16.	65316-10	PRES. RELIEF/OIL LEV PLUG L150		
17.	6481600	FR OIL DRAIN PLUG		
18.	6037012	OIL LEVEL PLUG GASKET		
19.	30210025	SCREW M10X25		
20.	34021010	WASHER		
21.	34007036	NOTCH NUT		
22.	6340680	COTTER PIN DIAM. 6X80		
23.	17871-01	UPPER COVER PAPER GASKET		

# Gearbox 540 RPM (826-322C) Eurocardan

Applies to RC5020



21266

**Gearbox 540 RPM (826-322C) Eurocardan****Applies to RC5020**

<b>Ref</b>	<b>Part No.</b>	<b>Part Description</b>	<b>Comments</b>	<b>Revision</b>
	dwg21266	Drawing Image Number		
	826-322C	GBOX RCM60 1.75-20 1:1.21 CCW		
1.	16571-02	HOUSING		
2.	17271-01	BEVEL GEAR Z22 M7.80		
3.	17271-02	BEVEL PINION Z18 M7.8		
4.	12171-03	INPUT SHAFT 1 3/4" Z20		
5.	12171-01	OUTPUT SHAFT		
6.	2032209	TIMKEN CONICAL BEARING		
7.	2732210	TIMKEN CONICAL BEARING		
8.	2030212	TIMKEN CONICAL BEARING		
9.	6204585	SEAL (DOUBLE RIMS)		
10.	6206011	SEAL (DOUBLE RIMS)		
11.	6100085	SIDE RUBBER COVER		
12.	6310085	INTERNAL CIRCLIP DIAM. 85		
13.	6320050	EXTERNAL CIRCLIP DIAM. 50		
14.	16571-03	UPPER COVER		
15.	12071-01	WASHER ID 37; OD 75 H=8		
16.	65316-10	PRES. RELIEF/OIL LEV PLUG L150		
17.	6481600	FR OIL DRAIN PLUG		
18.	6037012	OIL LEVEL PLUG GASKET		
19.	30210025	SCREW M10X25		
20.	34021010	WASHER		
21.	34007036	NOTCH NUT		
22.	6340680	COTTER PIN DIAM. 6X80		
23.	17871-01	UPPER COVER PAPER GASKET		



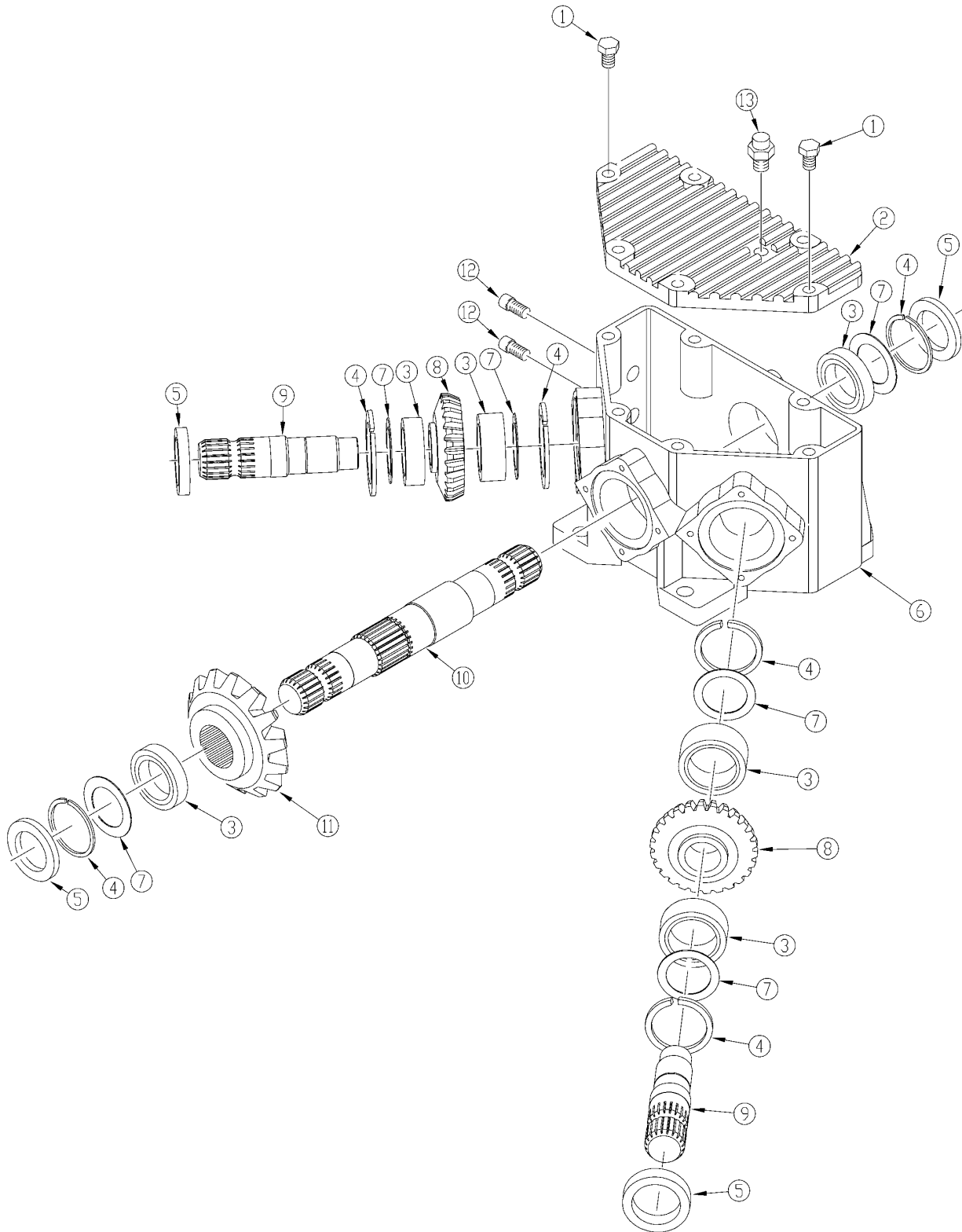
**Gearbox 540 RPM (826-324C) Comer****Applies to RC5020**

Ref	Part No.	Part Description	Comments	Revision
	dwg21171	Drawing Image Number		
	826-324C	GBOX RCM60 1.75-20 1:1.21 CW		
1.	U0.125.0532.00	CO HOUSING		
2.	U0.125.5003.00	CO CROWN GEAR Z22 M7.8		
3.	8.0.9.00143	CO BEARING 30209 RTA25		
4.	8.7.3.00331	CO OIL SEAL 45 X 85 X 10		
5.	U0.125.2050.00	CO INPUT SHAFT 1 3/4"-20		
6.	8.5.2.00332	CO SNAP RING UNI 7437		
7.	0.709.7500.00	CO SHIM 84.7		
8.	8.5.1.00533	CO SNAP RING 50 UNI7435		
9.	U0.125.7100.00	CO CASTLE NUT		
10.	0.712.7500.00	CO SHIM 50.3X70.3		
11.	8.0.9.01090	CO BEARING 32210		
12.	1.181.7101.00	CO SEAL PROTECTOR		
13.	8.7.1.02349	CO OIL SEAL 60X110X12		
14.	8.0.9.00079	CO BEARING 30212		
15.	U0.125.3003.00	CO OUTPUT SHAFT		
16.	8.4.7.02265	CO COTTER PIN B 5X60		
17.	0.121.7101.00	CO CAP		
18.	0.288.7101.00	CO BLANK WASHER		
19.	0.252.7525.00	CO SHIM 45.3X2.5		
20.	0.285.7510.00	CO SHIM 40.3 X 61.7 X 1		
21.	U0.125.1303.00	CO TOP COVER	S/N 533951+	
22.	8.1.1.00501	CO BOLT M8X22 HHB		
23.	U0.125.7003.00	CO OIL LEVEL PLUG SOLD-SPRTLY		
24.	8.6.5.00006	CO OIL PLUG 3/8		
25.	8.4.7.01045	CO COTTER PIN B6X70 SLD-SPRTLY		
26.	8.2.2.00560	CO CASTLE NUT M36X3		
27.	U0.125.6003.00	CO CROWN GEAR Z18 M7.8		



# Gearbox Divider 540 RPM (826-179C) Comer

Applies to RC5020



19604

***Gearbox Divider 540 RPM (826-179C) Comer***

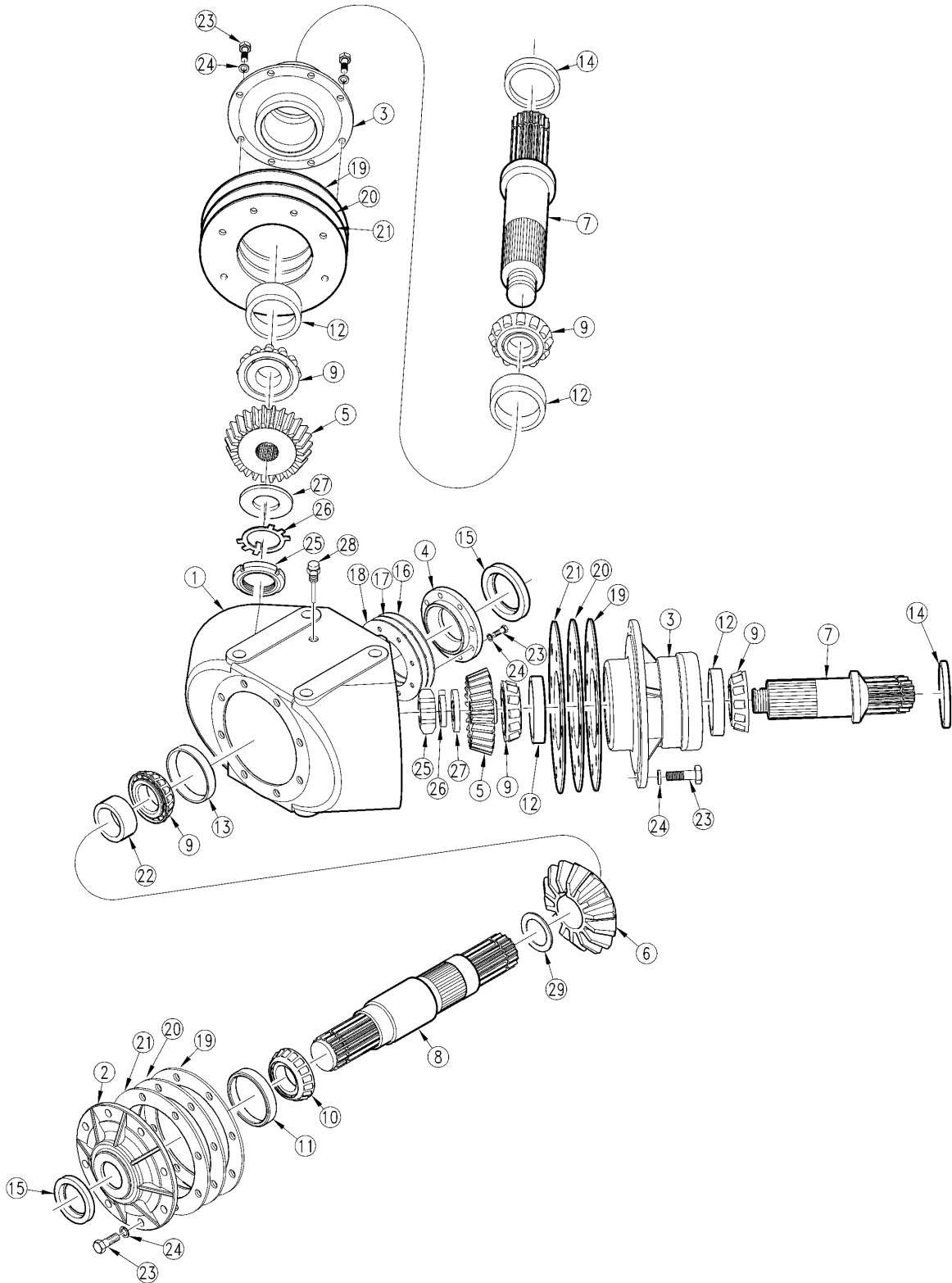
---

**Applies to RC5020**

<b>Ref</b>	<b>Part No.</b>	<b>Part Description</b>	<b>Comments</b>	<b>Revision</b>
	dwg19604	Drawing Image Number		
	826-179C	DIV OMNI/CO 540RPM 1 3/4-20		
1.	8.1.1.00109	CO BOLT M10 X 35 8.8		
2.	0.305.1300.00	TOP COVER PLATE		
3.	8.0.9.00143	CO BEARING 30209 RTA25		
4.	8.5.2.01772	CO SNAP RING		
5.	8.7.3.00331	CO OIL SEAL 45 X 85 X 10		
6.	0.305.0300.01	CO CASING		
7.	0.709.7500.00	CO SHIM 84.7		
8.	0.305.6000.00	CO GEAR M6.5 Z20		
9.	0.305.3000.00	CO SHAFT 1" 3/4 Z20		
10.	0.305.2000.00	CO SHAFT 1" 3/4 Z20		
11.	0.305.5001.00	CO GEAR M6.5 Z24		
12.	8.6.6.00201	CO PLUG 3/8 GAS		
13.	8.6.7.00269	CO 1/2" GAS BREATHER PLUG		

# Gearbox Divider 540 RPM (826-179C) Omni

Applies to RC5020



15503

**Gearbox Divider 540 RPM (826-179C) Omni**

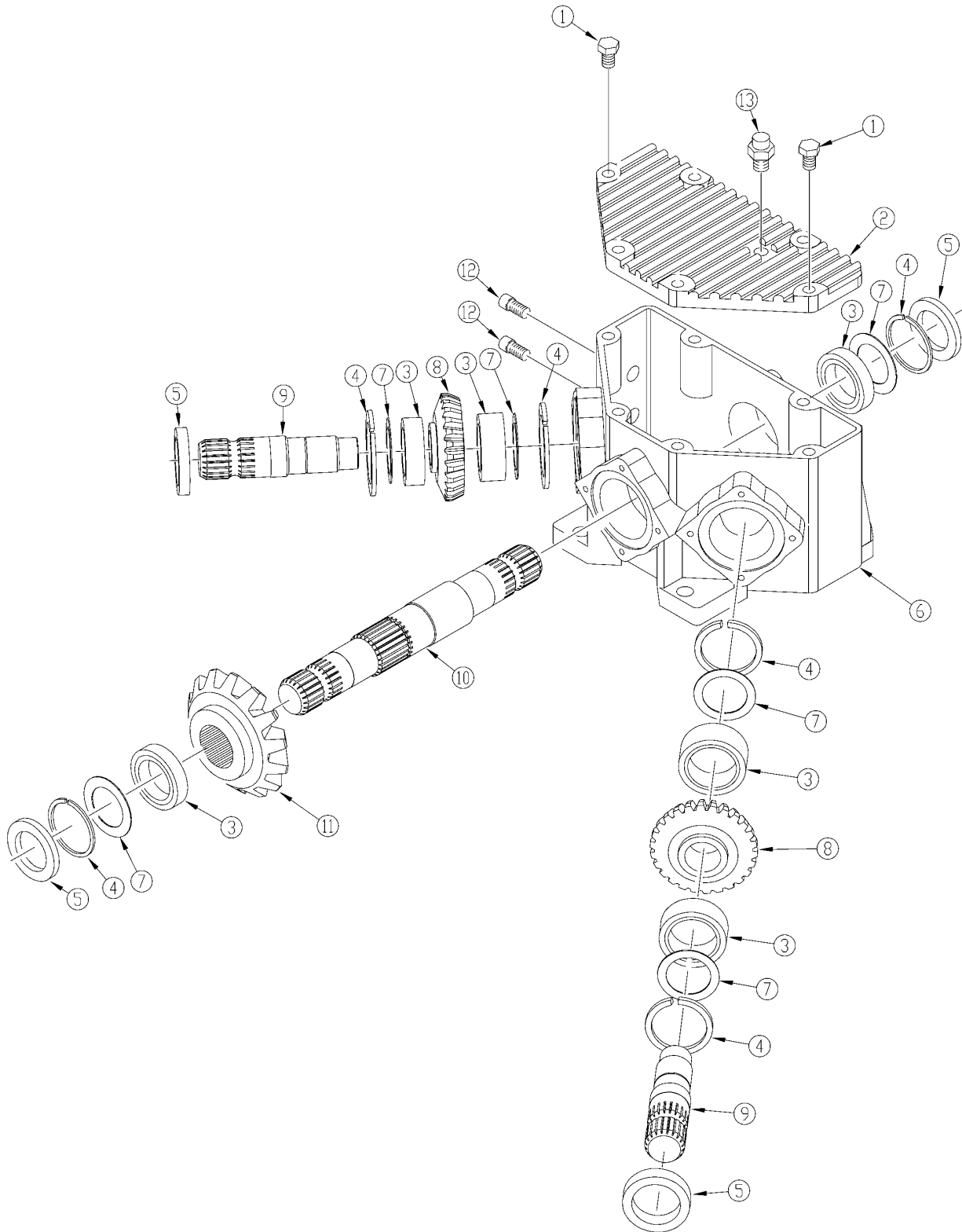
---

**Applies to RC5020**

<b>Ref</b>	<b>Part No.</b>	<b>Part Description</b>	<b>Comments</b>	<b>Revision</b>
	dwg15503	Drawing Image Number		
	826-179C	DIV OMNI/CO 540RPM 1 3/4-20		
1.	010063	OMNI HOUSING RCD101HD		
2.	020162	OMNI INPUT CAP		
3.	020061	OMNI CANTILEVERED OUTPUT CAP		
4.	020110	OMNI OUTPUT CAP		
5.	030413	OMNI PINION, 20T		
6.	030412	OMNI GEAR, 24T		
7.	040121	OMNI OUTPUT SHAFT,1.75-20SHORT		
8.	040124	OMNI INPUT SHAFT, 1.75-20 LONG		
9.	050008	OMNI BEARING CONE - 368		
10.	050012	OMNI BEARING CONE -LM603049		
11.	050013	OMNI BEARING CUP - LM 603014		
12.	050014	BEARING CUP - 362A, OMNI		
13.	050015	BEARING CUP - 362, OMNI		
14.	060020	OMNI OUTPUT SEAL		
15.	060051	OMNI THRU SHAFT SEAL		
16.	070057	OMNI GASKET, 0.30MM		
17.	070058	OMNI GASKET, 0.15MM		
18.	070151	OMNI INPUT GASKET, 0.10MM		
19.	070140	OMNI GASKET 0.30MM		
20.	070141	OMNI GASKET 0.15MM		
21.	070142	OMNI GASKET 0.10MM		
22.	090003	SPACER, OMNI		
23.	802-079C	HHCS 3/8-16X1 1/4 GR5		
24.	804-013C	WASHER LOCK SPRING 3/8 PLT		
25.	120025	OMNI LOCKNUT, TN-06		
26.	130030	OMNI LOCKWASHER, TW-06		
27.	130021	OMNI FLAT WASHER		
28.	140046	OMNI PLUG 1/2-14NPT,PRW/OIL LV.		
29.	200003	OMNI RETAINING RING		

# Gearbox Divider 540 RPM (826-520C) Comer

Applies to RC5020



19604

***Gearbox Divider 540 RPM (826-520C) Comer***

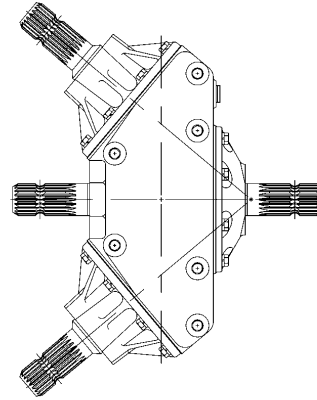
---

**Applies to RC5020**

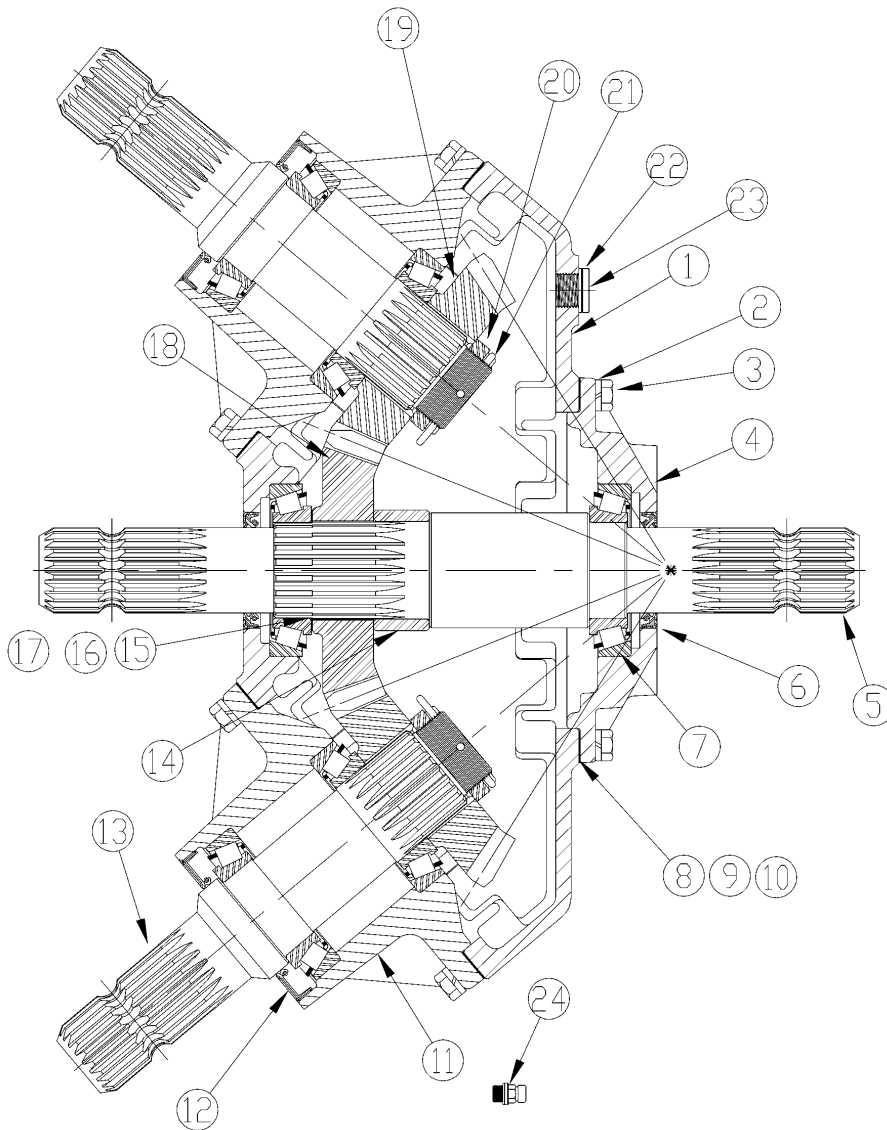
<b>Ref</b>	<b>Part No.</b>	<b>Part Description</b>	<b>Comments</b>	<b>Revision</b>
	dwg19604	Drawing Image Number		
	826-520C	DIV BOX COMER 540RPM 1 3/4-20 *		
1.	8.1.1.00109	CO BOLT M10 X 35 8.8		
2.	0.305.1300.00	TOP COVER PLATE		
3.	8.0.9.00143	CO BEARING 30209 RTA25		
4.	8.5.2.01772	CO SNAP RING		
5.	8.7.3.00331	CO OIL SEAL 45 X 85 X 10		
6.	0.305.0300.01	CO CASING		
7.	A.709.500	COMER SHIM KIT		
8.	0.305.6000.00	CO GEAR M6.5 Z20		
9.	0.305.3000.00	CO SHAFT 1" 3/4 Z20		
10.	0.305.2000.00	CO SHAFT 1" 3/4 Z20		
11.	0.305.5001.00	CO GEAR M6.5 Z24		
12.	8.6.6.00201	CO PLUG 3/8 GAS		
13.	826-497C	COMER VENT #8.6.7.00269		

# Gearbox Divider 540 RPM (826-520C) ITG

Applies to RC5020



VISUAL AID FOR PARTS



25681

***Gearbox Divider 540 RPM (826-520C) ITG***

---

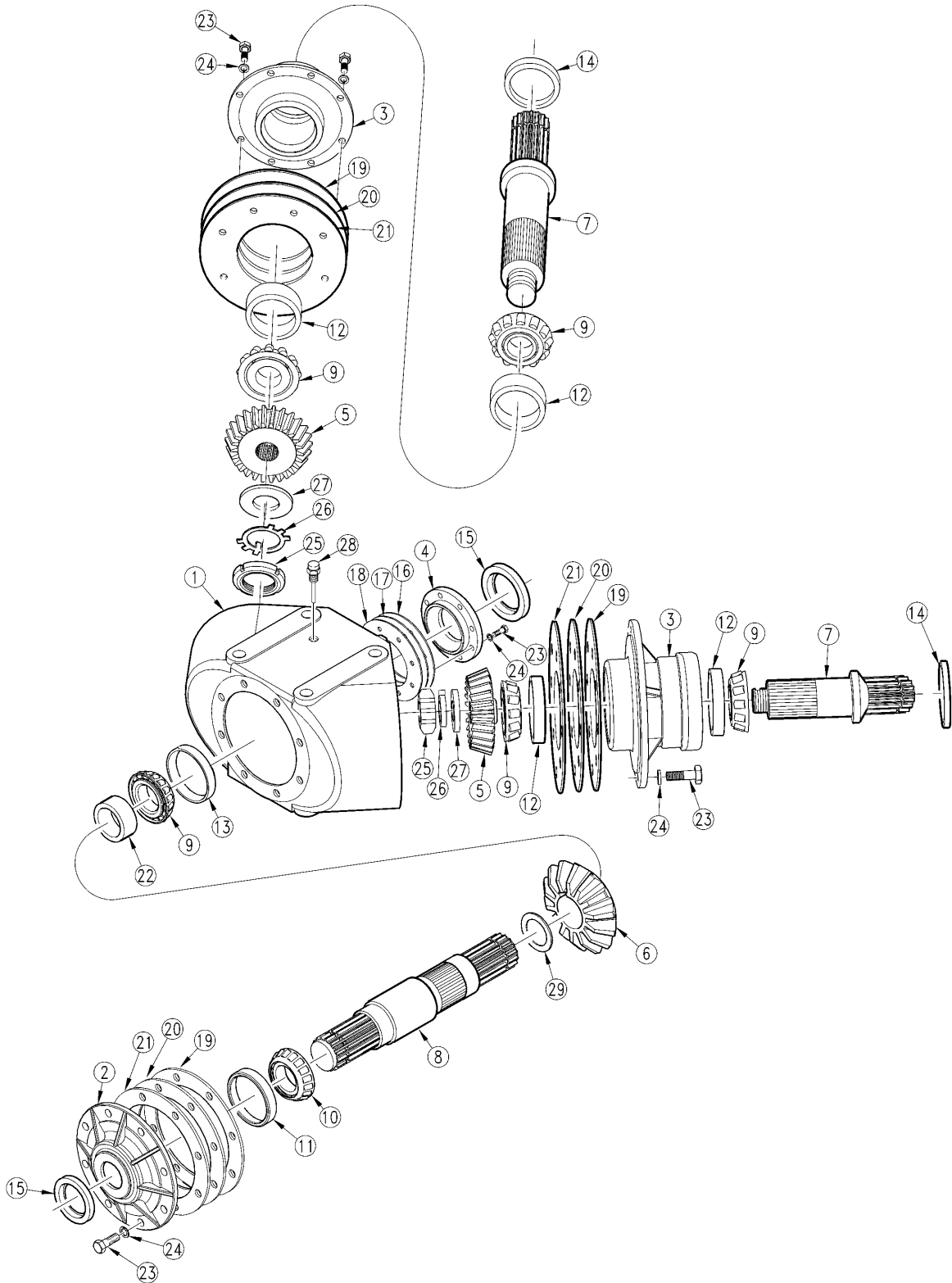
**Applies to RC5020**

<b>Ref</b>	<b>Part No.</b>	<b>Part Description</b>	<b>Comments</b>	<b>Revision</b>
	dwg25681	Drawing Image Number		
	826-520C	DIV BOX 540RPM 1 3/4-20 *		
1.	18-059	ITG HOUSING		
2.	804-158C	WASHER SPRING LOCK M10 PLT		
3.	06-003	ITG M10 X 1.5 X 30 CAP SCREW		
4.	20-019	ITG INPUT CAP SPLITTER BOX		
5.	02-038	ITG INPUT SHAFT		
6.	05-007	ITG INPUT SHAFT OIL SEAL		
7.	04-011	ITG BRG ASSEMBLY		
8.	08-006	ITG INPUT CAP GASKET 0.10MM		
9.	08-007	ITG INPUT CAP GASKET 0.25MM		
10.	08-008	ITG IN & OUT CAP GASKET 0.45MM		
11.	20-018	ITG HORIZONTAL HUB CAP		
12.	05-012B	ITG OUTPUT SEAL 58X95X10 THK		
13.	02-039	ITG OUTPUT SHAFT		
14.	10-001	ITG SPACER		
15.	17-002	ITG SHIM 0.3		
16.	17-001	ITG SHIM 0.4		
17.	17-003	ITG SHIM 0.5		
18.	03-127	ITG 23 TOOTH GEAR		
19.	03-126	19 TOOTH GEAR		
20.	11-012	ITG BRG ADJ. NUT		
21.	12-008	ITG COTTER PIN		
22.	07-022	ITG SEALING WASHER		
23.	09-013	ITG DRAIN PLUG		
24.	09-011	ITG M18 X 1.5P PLUG VENTED		



# Gearbox Divider 540 RPM (826-520C) Omni

Applies to RC5020



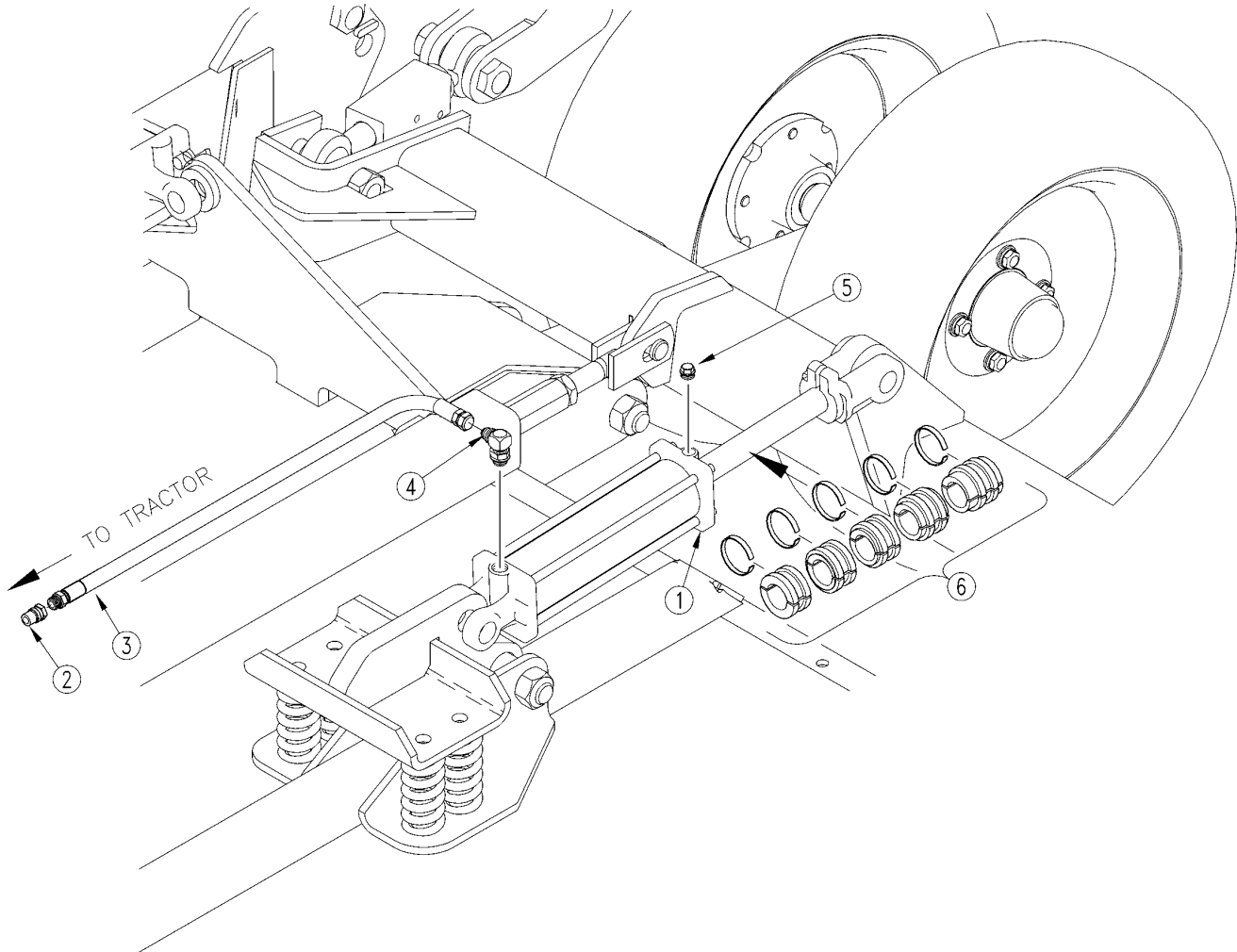
26706

***Gearbox Divider 540 RPM (826-520C) Omni*****Applies to RC5020**

<b>Ref</b>	<b>Part No.</b>	<b>Part Description</b>	<b>Comments</b>	<b>Revision</b>
	dwg26706 826-520C	Drawing Image Number DIV BOX 540RPM 1 3/4-20 *		
1.	010063	OMNI HOUSING RCD101HD		
2.	020162	OMNI INPUT CAP		
3.	020061	OMNI CANTILEVERED OUTPUT CAP		
4.	020110	OMNI OUTPUT CAP		
5.	030413	OMNI PINION, 20T		
6.	030412	OMNI GEAR, 24T		
7.	040121	OMNI OUTPUT SHAFT, 1.75-20SHORT		
8.	040124	OMNI INPUT SHAFT, 1.75-20 LONG		
9.	050008	OMNI BRG CONE - 368		
10.	050012	OMNI BRG CONE -LM603049		
11.	050013	OMNI BRG CUP - LM 603014		
12.	050014	BRG CUP - 362A, OMNI		
13.	050015	BRG CUP - 362, OMNI		
14.	060020	OMNI OUTPUT SEAL		
15.	060051	OMNI THRU SHAFT SEAL		
16.	070057	OMNI GASKET, 0.30MM		
17.	070058	OMNI GASKET, 0.15MM		
18.	070151	OMNI INPUT GASKET, 0.10MM		
19.	070140	OMNI GASKET 0.30MM		
20.	070141	OMNI GASKET 0.15MM		
21.	070142	OMNI GASKET 0.10MM		
22.	090003	SPACER, OMNI		
23.	802-079C	HHCS 3/8-16X1 1/4 GR5		
24.	804-013C	WASHER LOCK SPRING 3/8 PLT		
25.	120025	OMNI LOCKNUT, TN-06		
26.	130030	OMNI LOCKWASHER, TW-06		
27.	130021	OMNI FLAT WASHER		
28.	140046	OMNI LEVEL PLUG 1/2-14NPT,PRW		
29.	200003	OMNI RETAINING RING		

# Hydraulic Center Lift

Applies to RC5020, RCM5020



15427

**Hydraulic Center Lift**

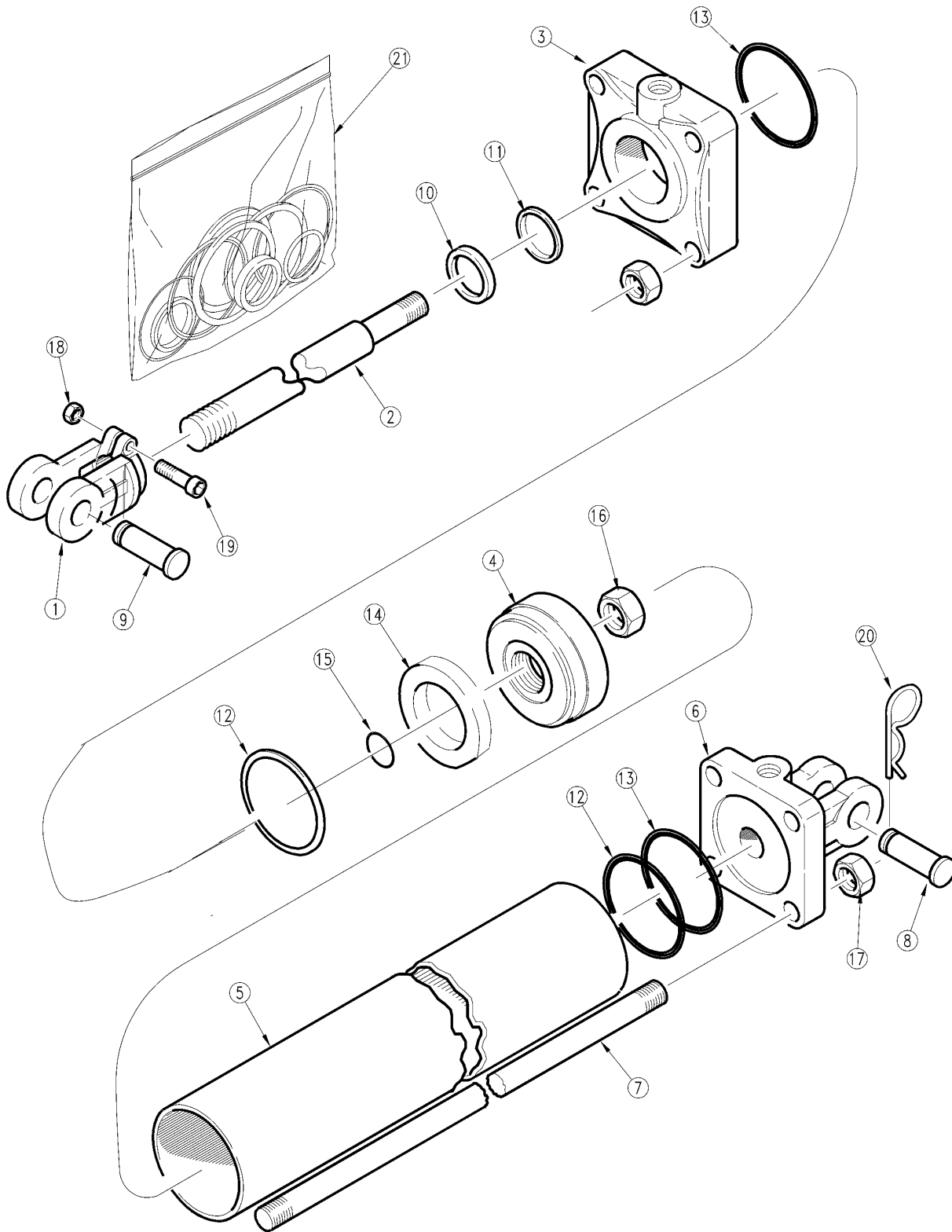
---

**Applies to RC5020, RCM5020**

<b>Ref</b>	<b>Part No.</b>	<b>Part Description</b>	<b>Comments</b>	<b>Revision</b>
	dwg15427	Drawing Image Number		
1.	810-107C	CYL 4X8X1.5 ROD (TIE ROD)		
2.	811-394C	CP 3/4FORB MALE QD POPPET TYPE		
3.	811-786C	HH3/8R1 190 3/4MORB 3/4FJIC		
4.	811-063C	EL 3/4MJIC 3/4MORB		
5.	800-306C	FILL PLUG VENTED 3/4-16 PLT		
6.	810-447C	STROKE CONTROL SPACERS 1.50		

# Hydraulic Cylinder Center Deck (810-107C) Midway

Applies to RC5020, RCM5020



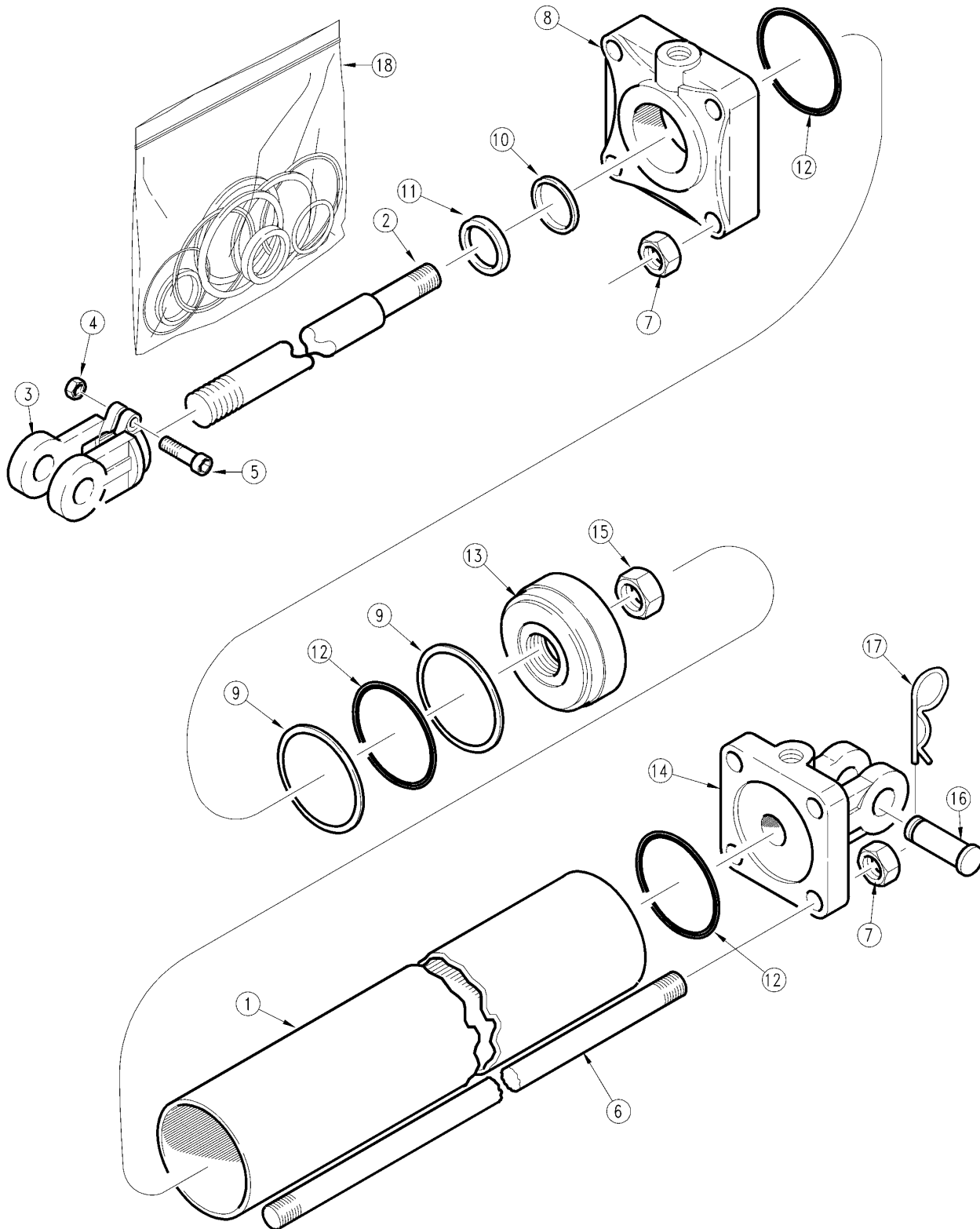
22109

***Hydraulic Cylinder Center Deck (810-107C) Midway*****Applies to RC5020, RCM5020**

<b>Ref</b>	<b>Part No.</b>	<b>Part Description</b>	<b>Comments</b>	<b>Revision</b>
	dwg22109	Drawing Image Number		
	810-107C	CYL 4X8X1.5 ROD (TIE ROD)		
1.	1M7016	CLEVIS ROD MIDWAY		
2.	2M6518	MW ROD		
3.	3R5912	HEAD MIDWAY		
4.	4M6108	MW PISTON		
5.	5M6116	MW TUBE		
6.	6R5162	MW BASE		
7.	7M6316	MW TIE ROD		
8.	2A0208	MW CLEVIS PIN		
9.	2A0208	MW CLEVIS PIN		
10.	2A0040	MW WIPER		
11.	2A0424	U-CUP		
12.	2A0245	O-RING MIDWAY		
13.	2A0275	BACK UP MIDWAY		
14.	2A0458	CROWN SEAL MIDWAY		
15.	2A0052	MW PISTON NUT SEAL		
16.	2A0024	MW PISTON NUT 1-14		
17.	2A0018	MW TIE ROD NUT		
18.	2A0012	MW NUT CLEVIS & TIE ROD		
19.	2A0006	REPL. BY 802-023C		
20.	2A0132	MW PIN CLIP		
21.	810-060C	CYL SEAL KIT-810-031C-5A6104		

# Hydraulic Cylinder Wing Deck (810-362C) Cross

Applies to RC5020, RCM5020



15704

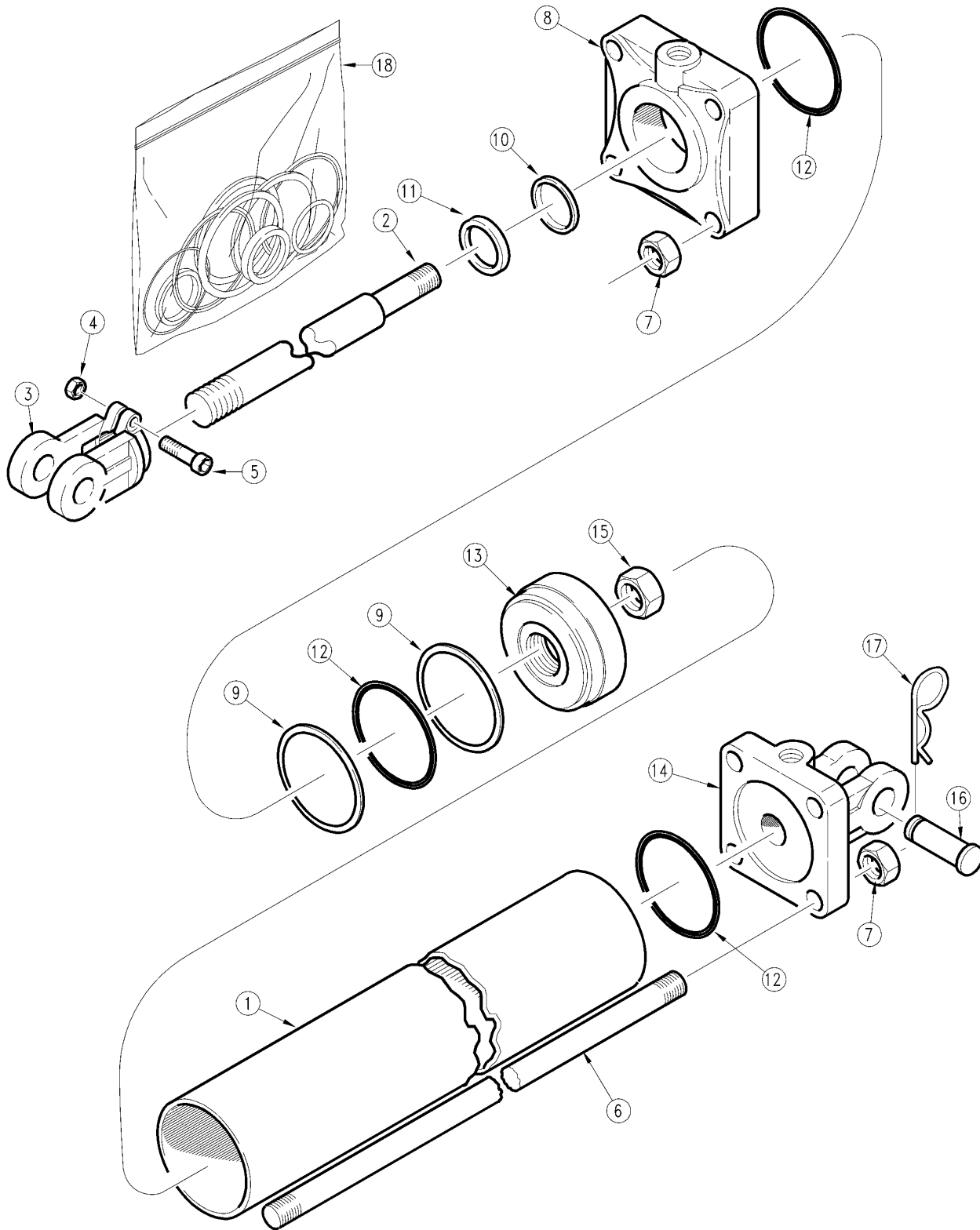
**Hydraulic Cylinder Wing Deck (810-362C) Cross****Applies to RC5020, RCM5020**

<b>Ref</b>	<b>Part No.</b>	<b>Part Description</b>	<b>Comments</b>	<b>Revision</b>
	dwg15704	Drawing Image Number		
	810-362C	CYL 3.5x12x1.25ROD (TIE ROD)		
1.	1D0009-1450	CROSS TUBE		
2.	1D0205-1662	CROSS ROD		
3.	1D1013-5	CROSS ROD CLEVIS		
4.	2A0235-6	CROSS NUT, CLEVIS & TIE ROD		
5.	2A0079-616	CROSS SCREW, CAP		
6.	2A0581-1725	CROSS TIE ROD		
7.	2A0236-9	TIE ROD NUT CROSS		
8.	1D1159-7	HEAD CROSS		
9.		BACKUP PISTON	Only found in seal kit 18	
10.		U-CUP	Only found in seal kit 18	
11.		ROD WIPER	Only found in seal kit 18	
12.		O-RING PISTON	Only found in seal kit 18	
13.	1D1401-350	PISTON CROSS		
14.	1D1224-7	BASE CROSS 826-362C		
15.	1A1141	PISTON NUT CROSS		
16.	1D1551-16300	CROSS CLEVIS PIN		
17.	2A0308-1	CROSS PIN, CLIP		
18.	810-146C	SEAL KIT CROSS 3.5 CYL 1C4429		



# Hydraulic Cylinder Wing Deck (810-362C) Midway

Applies to RC5020, RCM5020



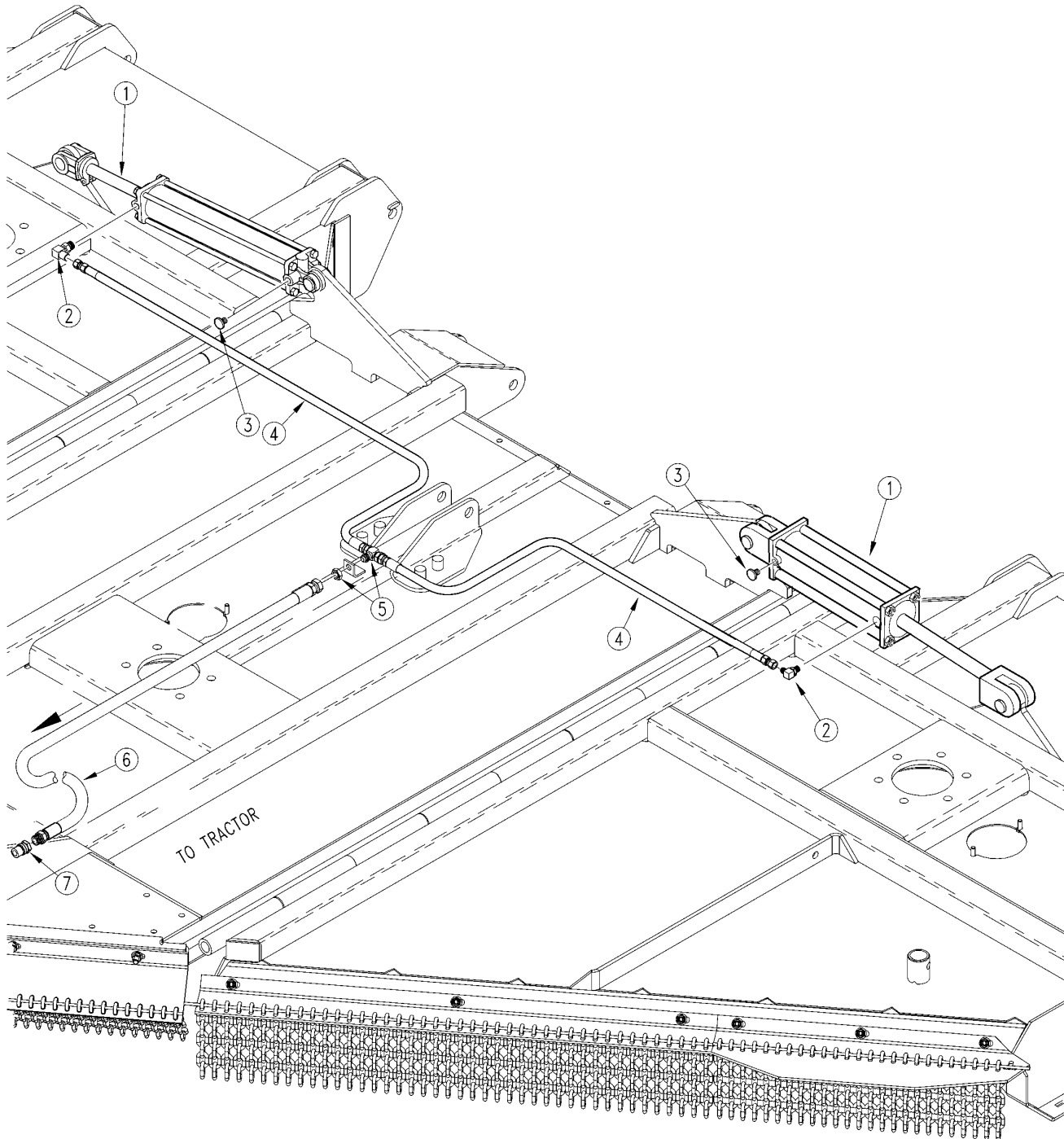
15704

***Hydraulic Cylinder Wing Deck (810-362C) Midway*****Applies to RC5020, RCM5020**

<b>Ref</b>	<b>Part No.</b>	<b>Part Description</b>	<b>Comments</b>	<b>Revision</b>
	dwg15704	Drawing Image Number		
	810-362C	CYL 3.5x12x1.25ROD (TIE ROD)		
1.	5M5120	MW TUBE		
2.	2M5418	MW ROD 1 1/4 DIA X 10' STROKE		
3.	1M6010	MW CLEVIS STD. DUTY		
4.	2A0012	MW NUT CLEVIS & TIE ROD		
5.	2A0006	MW CAPSCREW		
6.	7M5320	TIE ROD MIDWAY		
7.	2A0016	MW TIE ROD NUT		
8.	3M5410	MW HEAD 3-1/2X1-1/4ROD 9/16SAE		
9.	N/A	MW BACK UP TUBE	Found in Seal Kit #18	
10.	N/A	MW WIPER	Found in Seal Kit #18	
11.	N/A	MW U-CUP	Found in Seal Kit #18	
12.	N/A	MW O-RING	Found in Seal Kit #18	
13.	4M5102	MW PISTON 3 1/2 DIA.		
14.	6M5152	MW BASE 3 1/2		
15.	2A0024	MW PISTON NUT 1-14		
16.	2A0208	MW CLEVIS PIN		
17.	2A0132	MW PIN CLIP		
18.	810-149C	SEAL KIT 810-104C MW 3A5102		

# Hydraulic Wing Lift

Applies to RC5020, RCM5020



15426

**Hydraulic Wing Lift**

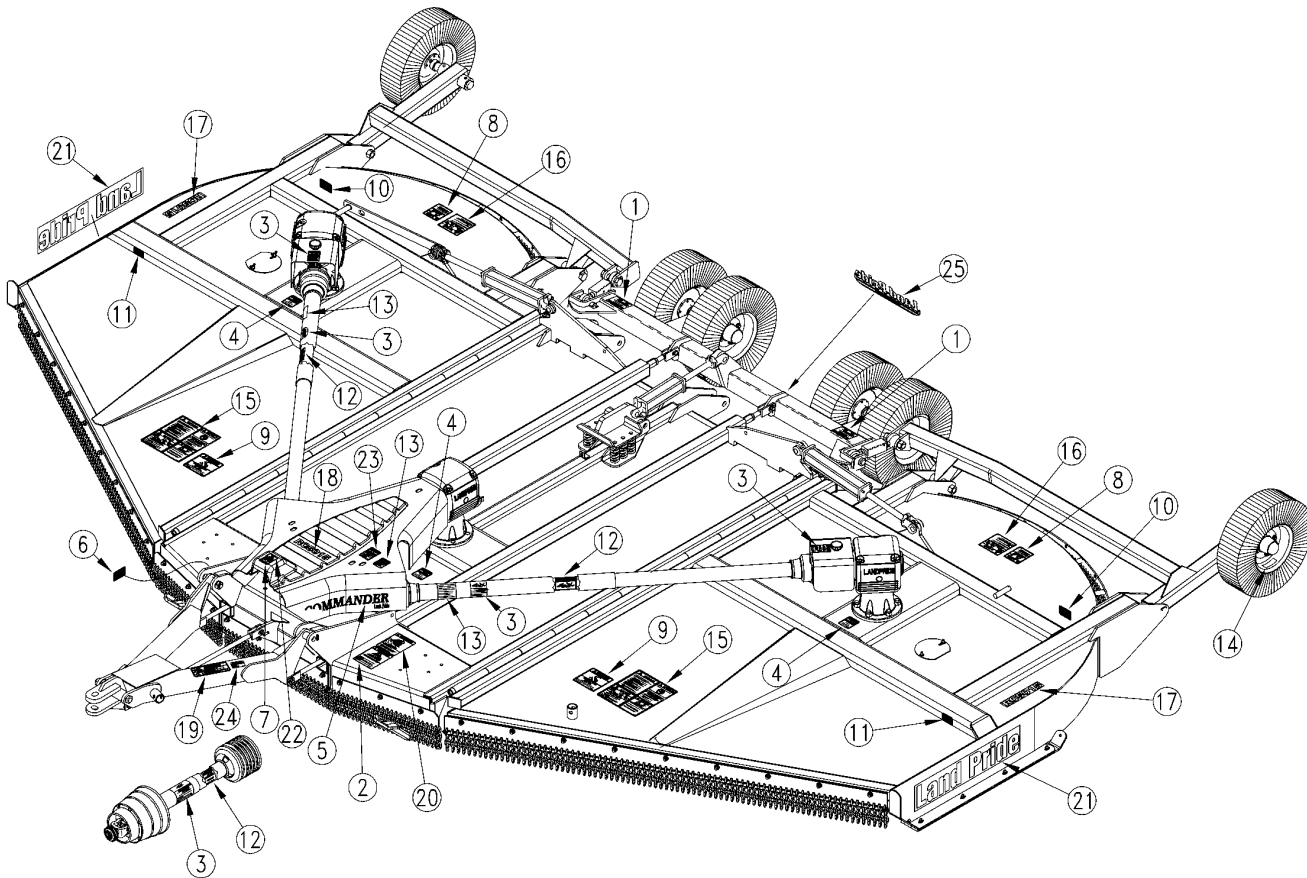
---

**Applies to RC5020, RCM5020**

<b>Ref</b>	<b>Part No.</b>	<b>Part Description</b>	<b>Comments</b>	<b>Revision</b>
	dwg15426	Drawing Image Number		
1.	810-362C	CYL 3.5x12x1.25ROD (TIE ROD)		
2.	811-337C	OREL 1/16 9/16MJIC 9/16MORB	S/N 543565+	
2.	811-062C	OREL 1/32 9/16MJIC 9/16MORB	S/N 543564-	
3.	800-117C	VENT PLUG - 9/16-18 PLATED		
4.	811-788C	HH1/4R1 084 9/16FJIC		
5.	811-356C	TE 9/16MJIC BH 9/16MJIC 9/16MJ		
6.	811-787C	HH3/8R1 183 3/4MORB 3/4FJIC		
7.	811-394C	CP 3/4FORB MALE QD POPPET TYPE		

# Label Placement

Applies to RC5020, RCM5020



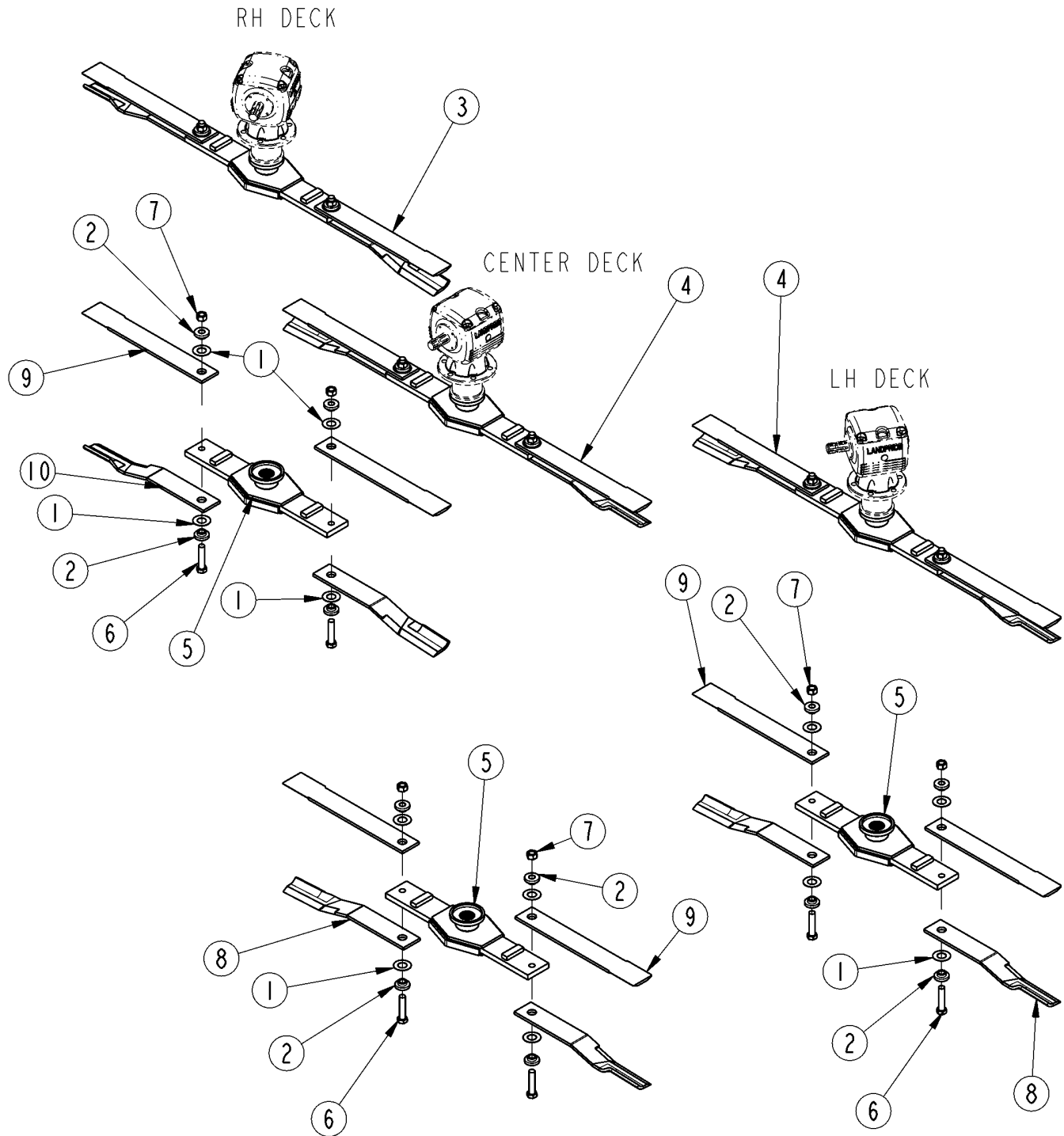
22108

**Label Placement****Applies to RC5020, RCM5020**

<b>Ref</b>	<b>Part No.</b>	<b>Part Description</b>	<b>Comments</b>	<b>Revision</b>
	dwg22108	Drawing Image Number		
1.	818-045C	DECAL WARNING PINCH PT/CRUSH		
2.	818-276C	DECAL WARNING OPERATING ANGLE		
3.	818-552C	DECAL DANGER PTO DRIVELINE		
4.	818-543C	DECAL DANGER PD GUARD MISS SML		
5.	838-586C	DECAL COMMANDER	All deck colors except green	
5.	838-637C	DECAL COMMANDER GREEN	Green deck only	
6.	818-190C	DECAL FLAG		
7.	818-130C	DECAL CAUTION 540 RPM		
7.	818-240C	DECAL CAUTION 1000 RPM		
8.	818-556C	DECAL DANGER THROWN OBJ CUTTER		
9.	818-561C	DECAL DANGER RAISED WING HAZAR		
10.	818-230C	DECAL RED REFLECTOR		
11.	818-229C	DECAL AMBER REFLECTOR		
12.	818-540C	DECAL DANGER GUARD MISS PTO		
13.	818-680C	DECAL IMPORTANT - SLIP CLUTCH		
14.	818-681C	DECAL NOTICE - 20 MPH MAX		
15.	818-830C	DECAL SAFETY COMBO SUNWEST		
16.	818-564C	DECAL DANGER ROTATING BLADES		
17.	838-375C	DECAL RC5020 BROWN		
17.	838-423C	DECAL RCM5020 BROWN		
18.	838-376C	DECAL RC5020 BEIGE		
18.	838-424C	DECAL RCM5020 BEIGE		
19.	838-094C	DECAL WARNING HYD PRESS LONG		
20.	818-840C	DECAL DANGER ROLLOVER HAZARD		
21.	838-243C	DECAL LANDPRIDE 30" BLACK	Beige Unit	
21.	838-642C	DECAL LANDPRIDE 34" LG	Red and Green Unit	
22.	818-862C	DECAL 5 YEAR GEARBOX WARRANTY		
23.	818-552C	DECAL DANGER PTO DRIVELINE		
24.	838-588C	FOLDING CUTTER SPEED WARNING		
25.	818-902C	DECAL LANDPRIDE 16" - BIEGE		

# Shredder Kit Comer

Applies to RC5020, RCM5020



23956

**Shredder Kit Comer****Applies to RC5020, RCM5020**

<b>Ref</b>	<b>Part No.</b>	<b>Part Description</b>	<b>Comments</b>	<b>Revision</b>
	dwg23956	Drawing Image Number		
	318-958A	ASSY 5020 SHREDDER COMER *		
1.	312-082D	BLADE SPACER 18 GA	As Required	
1.	312-075D	BLADE SPACER 16 GA	As Required	
1.	312-089D	BLADE SPACER 20 GA.	As Required	
1.	312-808D	BLADE SPACER 24GA	As Required	
2.	318-309D	BLADE BUSHING		
3.	318-859S	ASSY. CW BLADE CARRIER 84"		
4.	318-860S	ASSY. CCW BLADE CARRIER 84"		
5.	330-209H	BLADE BAR	S/N 536771+	
5.	318-832H	RPBY 330-209H	S/N 536770-	
6.	802-680C	HHCS 1-8 X 4 1/2 PLT GR8		
7.	803-168C	NUT HEX TOP LOCK 1-8 PLT		
8.	820-168C	CUTTER BLADE 1/2X4X29 CCW		
9.	820-216C	CUTTER BLADE 1/2X4X28.5 FLAT		
10.	820-249C	CUTTER BLADE 1/2X4X29 CW		





# Part Number Index

The Part Number Index is a numeric index of all part numbers included in this manual. The index shows what page(s) the part is used on.

Part Number	Page	Part Number	Page	Part Number	Page	Part Number	Page
0.121.7101.00	101, 105, 109, 111, 123, 127, 133	06-003	119, 141	1422831989821	79, 99	1D1551-16300	149
0.252.7525.00	101, 105, 109, 111, 123, 127, 133	060020	115, 121, 137, 143	1422871039821	79, 99	1M6010	151
0.285.7510.00	101, 105, 109, 111, 123, 127, 133	060051	115, 121, 137, 143	1422871632821	89	1M7016	147
0.288.7101.00	22, 25, 101, 105, 109, 111, 123, 127, 133	07-022	119, 141	1422871642821	65, 67	20-018	119, 141
0.305.0300.01	113, 117, 135, 139	070057	115, 121, 137, 143	146.264.024.1	55, 69, 81, 91	20-019	119, 141
0.305.1300.00	113, 117, 135, 139	070058	115, 121, 137, 143	146.284.020.1	71, 79, 93, 99	200-001D	35, 37, 39, 41
0.305.2000.00	113, 117, 135, 139	070140	115, 121, 137, 143	151.016.031.1	55, 81	200003	115, 121, 137, 143
0.305.3000.00	113, 117, 135, 139	070141	115, 121, 137, 143	151.016.037.1	69, 91	2030212	103, 107, 125, 129, 131
0.305.5001.00	113, 117, 135, 139	070142	115, 121, 137, 143	151.018.016.1	71, 93	2032209	103, 107, 125, 129, 131
0.305.6000.00	113, 117, 135, 139	070151	115, 121, 137, 143	151.018.228.1	69, 71, 91, 93	2732210	103, 107, 125, 129, 131
0.709.7500.00	101, 105, 109, 111, 113, 117, 123, 127, 133, 135	08-006	119, 141	1522805260710	65, 67	2A0006	147, 151
0.712.7500.00	101, 105, 123, 127, 133	08-007	119, 141	1522805477810	79, 99	2A0012	147, 151
010063	115, 121, 137, 143	08-008	119, 141	155.150.724	55, 81	2A0016	151
02-038	119, 141	087276	59, 61, 63, 77, 85, 87, 97	158.018.470	65, 67, 89	2A0018	147
02-039	119, 141	09-011	119, 141	165.000.548	69, 71, 91, 93	2A0024	147, 151
020061	115, 121, 137, 143	09-013	119, 141	165.000.589	55, 65, 67, 69, 71, 79, 81, 89, 91, 93, 99	2A0040	147
020110	115, 121, 137, 143	090003	115, 121, 137, 143	165.000.628	65, 89	2A0052	147
020162	115, 121, 137, 143	097133	59, 77, 85, 97	165.000.629	67	2A0079-616	149
020672	61, 63, 87	097136	85	165.000.694	65, 67, 89	2A0132	147, 151
03-126	119, 141	097140	57, 59, 61, 63, 77, 83, 85, 87, 97	165.000.785	65, 67, 89	2A0208	147, 151
03-127	119, 141	1.181.7101.00	101, 105, 109, 111, 123, 127, 133	16571-02	131	2A0235-6	149
030193	115, 121	10-001	119, 141	16571-03	103, 107, 125, 129, 131	2A0236-9	149
030194	115, 121	104810	61, 63, 87	16572-01	103, 107, 125, 129	2A0245	147
030412	137, 143	107542	77, 97	168556	73, 75, 95	2A0275	147
030413	137, 143	11-012	119, 141	17-001	119, 141	2A0308-1	149
04-011	119, 141	111664	57, 83	17-002	119, 141	2A0424	147
040121	115, 121, 137, 143	12-008	119, 141	17-003	119, 141	2A0458	147
040124	115, 121, 137, 143	120025	115, 121, 137, 143	170.016.630.1	55, 81	2A0581-1725	149
042454	73, 75, 95	12071-01	103, 107, 125, 129, 131	17271-01	103, 107, 125, 131	2M5418	151
042459	73, 75, 95	12171-01	131	17271-02	103, 107, 125, 131	2M6518	147
043489	73, 75, 95	12171-03	103, 107, 125, 129, 131	17271-03	129	30210025	103, 107, 125, 129, 131
044321	59, 61, 63, 77, 85, 87, 97	12172-01	103, 107, 125, 129	17271-04	129	304011	59, 61, 63, 73, 75, 85, 87, 95
045560	75	122.580.026.1	79, 99	17871-01	103, 107, 125, 129, 131	304046	57, 59, 61, 63, 77, 83, 85, 87, 97
05-007	119, 141	122.580.501.1	65, 67	18-059	119, 141	304065	73, 75, 95
05-012B	119, 141	122.580.510.1	89	180.014.022	69, 71, 91, 93	304263	57, 83
050008	115, 121, 137, 143	122.580.512.1	79, 99	180.014.240	65, 67, 79, 89, 99	312-075D	9, 11, 157
050012	115, 121, 137, 143	122.981.002.1	65, 67	180.016.025	65, 67, 79, 89, 99	312-082D	9, 11, 157
050013	115, 121, 137, 143	122.981.027.1	89	180.016.130	55, 81	312-089D	9, 11, 157
050014	115, 121, 137, 143	130021	115, 121, 137, 143	180.018.004	65, 67, 79, 89, 99	312-808D	9, 11, 157
050015	115, 121, 137, 143	130030	115, 121, 137, 143	180.018.004	65, 67, 79, 89, 99	312-812D	13, 17, 21, 25
		140046	115, 121, 137, 143	180.018.158	65, 67, 89	312-812D81	13, 17, 21, 25
		141.026.357.1	55, 81	180.018.251	65, 67, 79, 89, 99	312-812D83	13, 17, 21, 25
		141.028.195.1	65, 67, 79, 89, 99	180.018.252	65, 67, 79, 89, 99	312-891D	43
		141.028.248.1	65, 67, 89	180.018.252	65, 67, 79, 89, 99	312-948D	47, 49, 53
		141.028.358.1	89	180.018.393	65, 67, 79, 89, 99	312209	57, 59, 61, 63, 77, 83, 85, 87, 97
		141.028.359.1	65	180.018.437	65, 67, 79, 89, 99	316-096D	43, 45
		141.028.360.1	67	180.018.567	65, 67, 89	318-004H	27, 29
		141.028.472.1	65, 67, 89	180.019.014	69, 71, 91, 93	318-005H	29
		1422831412821	89	180.019.018	69, 71, 91, 93	318-006H	27, 29
		1422831442821	65, 67	180.019.019	69, 71, 91, 93	318-008H	31
				180.019.115	69, 71, 91, 93	318-018H	33
				180.019.116.1	69, 71, 91, 93	318-040D	33
				186397	73, 75, 95	318-053L	27, 29
				190.000.016	55, 81	318-085D	33, 35, 37
				190.000.243	65, 67, 79, 89, 99	318-106D	43, 45
				195099	77, 97	318-145H	13, 17
				1A1141	149	318-146H	13, 17
				1D0009-1450	149	318-167D	13, 17
				1D0205-1662	149	318-167D81	13
				1D1013-5	149	318-167D83	13
				1D1159-7	149	318-170D	21, 25
				1D1224-7	149	318-170D81	21, 25
				1D1401-350	149		

## Table of Contents    Part Number Index



# Part Number Index (continued)

Part Number	Page	Part Number	Page	Part Number	Page	Part Number	Page
318-170D83	21, 25	318-507K	53	388204	61	8.5.1.00533	101, 105, 109, 111, 123, 127, 133
318-171D	21, 25	318-508D	27, 29	388698	87		
318-171D81	21, 25	318-508K	53	388957	85	8.5.2.00332	101, 105, 109, 111, 123, 127, 133
318-171D83	21, 25	318-509K	43	389850	85		
318-309D	157	318-510K	43	390257	85		
318-322D	14, 17	318-511K	43	391406	61		
318-337D	43	318-512K	43	391409	59	8.5.2.01772	113, 117, 135, 139
318-399D	9, 11	318-513K	47	391410	59		
318-400H	21, 25	318-514K	47	391639	63	8.6.5.00006	101, 105, 109, 111, 123, 127, 133
318-401H	13, 17, 21, 25	318-515K	47	392215	77, 97		
318-404H	21, 25	318-543H	17	394064	77, 97		
318-407D	45	318-543H81	13, 17	394065	77, 97	8.6.5.00203	109, 111
318-408D	45	318-543H83	13, 17	394067	77, 97	8.6.6.00201	113, 117, 135, 139
318-410D	45	318-543HC	13	394526	87		
318-418L	31	318-544H	21, 25	394581	57, 83	8.6.7.00269	113, 117, 135
318-419L	33	318-544H81	21, 25	394582	57, 75	8.7.1.02349	101, 105, 109, 111, 123, 127, 133
318-423H	17	318-544H83	21, 25	3M5410	151		
318-423H81	13, 17	318-545H	21, 25	3R5912	147		
318-423H83	13, 17	318-545H81	21, 25	4M5102	151	8.7.3.00331	101, 105, 109, 111, 113, 117, 123, 127, 133, 135, 139
318-423HC	13	318-545H83	21, 25	4M6108	147		
318-427S	9	318-556H	27	5M5120	151		
318-428S	9	318-586A	9, 11	5M6116	147		
318-429H	21, 25	318-746D	14, 18	6037012	103, 107, 125, 129, 131	800-001C	33, 35, 39
318-429H81	21, 25	318-774D	45			800-080C	27, 29, 35, 37, 41
318-429H83	21, 25	318-832H	157	6100085	103, 107, 125, 129, 131	800-117C	153
318-430H	21, 25	318-859S	157			800-130C	33
318-430H81	21, 25	318-860S	157	6204585	103, 107, 125, 129, 131	800-306C	145
318-430H83	21, 25	318-871H	9, 11			802-005C	14, 18
318-434H	35, 37	318-872S	11	6206011	103, 107, 125, 129, 131	802-007C	13, 17, 21, 25
318-437H	9	318-873S	11			802-017C	14, 17
318-439A	45	318-958A	157	6310085	103, 107, 125, 129, 131	802-022C	33
318-440A	49	321256	85			802-053C	13, 14, 17, 18
318-441D	21, 25	324822	73, 75, 95	6320050	103, 107, 125, 129, 131	802-058C	14, 18
318-441K	45	325027	59, 61, 63, 85, 87			802-064C	13, 17
318-442K	45	330-209H	157	6340680	103, 107, 125, 129, 131	802-065C	21, 25
318-443K	45	330162	63			802-070C	13, 17
318-444K	45	331573	61, 63, 87	6481600	103, 107, 125, 129, 131	802-073C	39, 41
318-452H	39, 41	333645	59			802-074C	27, 29, 41
318-470D	49	339107	85	65316-10	103, 107, 125, 129, 131	802-079C	115, 121, 137, 143
318-471D	49	34007036	103, 107, 125, 129, 131			802-096C	11, 27, 29
318-473H	39, 41			6M5152	151	802-099C	35, 37, 39, 41
318-476D	43, 45	34021010	103, 107, 125, 129, 131	6R5162	147	802-104C	35, 39
318-477D	47, 49			702352	59, 61, 63, 85, 87	802-106C	21, 25
318-478D	47, 49	351793	73, 75, 95	7M5320	151	802-110C	27, 29, 35, 37
318-478H	31	355155	59, 61, 63, 77, 85, 87, 97	7M6316	147	802-135C	35, 39
318-479D	51			8.0.9.00079	101, 105, 109, 111, 123, 127, 133	802-205C	35, 37
318-479H	13, 17	355527	87			802-214C	43, 45, 51, 53
318-480D	51	362430	59	8.0.9.00143	101, 105, 109, 111, 113, 117, 123, 127, 133, 135, 139	802-235C	13, 17, 29
318-481A	51	363617	87			802-277C	9, 11
318-481D	51	363696	61	8.0.9.01090	101, 105, 109, 111, 123, 127, 133	802-314C	13, 17
318-482A	43	363729	63			802-316C	41
318-482D	53	364915	59, 61, 63, 87			802-326C	35, 39
318-483A	53	365305	59, 61, 63, 77, 85, 87, 97	8.1.1.00109	113, 117, 135, 139	802-357C	39
318-483D	53					802-392C	13, 17
318-484A	47	365725	61, 63, 87			802-456C	13, 17
318-484D	53	377437	59, 77, 85, 97			802-466C	21, 25
318-485D	53	377442	61, 63, 85, 87	8.1.1.00501	101, 105, 109, 111, 123, 127, 133	802-585C	47, 49, 53
318-485H	33	380371	59, 61, 63, 77, 85, 87, 97			802-634C	9
318-486D	43					802-649C	33
318-487D	43	381367	61	8.2.2.00555	21, 25	802-658C	43, 45, 51
318-488D	43	381495	73, 75, 95	8.2.2.00560	101, 105, 109, 111, 123, 127, 133	802-680C	33, 41, 157
318-489D	47	381957	73, 75, 95			802-707C	47, 49, 53
318-490D	47	383334	57, 83			802-729C	27
318-490K	49	383805	73, 77, 83, 95, 97	8.4.7.01045	101, 105, 109, 111, 123, 127, 133	802-762C	41
318-491K	49	384316	61, 63, 87			802-779C	37, 41
318-500K	49	386048	61, 63, 87			802-783C	37
318-501K	51	386560	63	8.4.7.02265	101, 105, 109, 111, 123, 127, 133	802-854C	33, 37
318-502K	51	386561	87			803-008C	33
318-503K	51	387097	61			803-013C	14, 18
318-505K	51	387723	63			803-014C	33
318-506K	53	387768	59				



# Part Number Index (continued)

Part Number	Page	Part Number	Page	Part Number	Page	Part Number	Page
803-017C	35, 37, 39, 41	814-201C	35, 39	826-320C81	17	dwg21267	107, 125
803-019C	35, 37, 39, 41	814-202C	35, 39	826-320C83	17	dwg22096	13, 17
803-029C	35, 39	814-203C	35, 39	826-322C	25, 123, 131	dwg22097	21, 25
803-037C	13, 17, 21, 25, 43, 45, 47, 49, 51, 53	814-204C	35, 39	826-322C81	25	dwg22098	9
803-053C	37, 41	814-205C	35, 39	826-322C83	25	dwg22099	35
803-075C	31	814-265C	37, 41	826-323C	13, 21, 101, 103	dwg22100	39
803-168C	9, 11, 13, 17, 27, 29, 35, 37, 39, 41, 157	814-284C	37, 41	826-323C81	13	dwg22102	45
803-170C	9, 11	814-286C	37, 41	826-323C83	13	dwg22103	49
803-198C	21, 25	814-287C	37, 41	826-324C	25, 125, 133	dwg22104	43
803-231C	13, 17, 21, 25	814-292C	37, 41	826-324C81	25	dwg22105	47
803-255C	14, 18	814-293C	37, 41	826-324C83	25	dwg22106	51
803-258C	37, 41	814-294C	37, 41	826-342C	21, 25, 77, 97	dwg22107	53
803-263C	14, 18	815-093C	35, 39	826-363C	21, 105, 107	dwg22108	155
803-265C	31	815-140C	39	826-422C	17, 83	dwg22109	147
803-266C	33	815-141C	35, 39	826-423C	13, 57	dwg22110	83
803-271C	14, 18	815-230C	35, 39	826-471C	21, 109	dwg22111	57
803-299C	13, 17, 21	815-239C	41	826-471C81	21	dwg22112	77, 97
803-304C	27	815-240C	37, 41	826-471C83	21	dwg22114	75
803-308C	35, 39, 41	815-243C	37, 41	826-472C	21, 111	dwg23947	89
803-310C	37	816-098C	35, 39	826-472C81	21	dwg23948	65
803-316C	33, 37	816-389C	51	826-472C83	21	dwg23954	79, 99
803-367C	25	816-390C	51	826-476C	17, 89	dwg23955	55, 81
804-007C	14, 18	816-391C	51	826-477C	13, 65	dwg23956	157
804-009C	13, 17, 21, 25, 33	816-392C	53	826-486C	109, 111	dwg23957	69, 91
804-010C	13, 17, 21, 25	816-393C	53	826-494C	21, 25, 79, 99	dwg23958	71, 93
804-012C	13, 17, 21, 25	816-481C	14, 18	826-495C	13, 17, 55, 81	dwg23960	67
804-013C	13, 17, 21, 25, 33, 115, 121, 137, 143	816-497C	37, 41	826-497C	139	dwg23970	109
804-015C	35, 39	817-259C	13, 17, 21, 25	826-499C	13, 67	dwg23971	111
804-016C	35, 39	817-484C	13, 17	826-520C	17, 139, 141, 143	dwg23973	41
804-022C	13, 17	818-045C	155	826-520C81	17	dwg24632	11
804-023C	13, 17	818-130C	155	826-520C83	17	dwg24832	29
804-025C	27, 29, 31	818-190C	155	826-521C	13, 117, 119	dwg24833	31
804-028C	13, 17	818-229C	155	826-521C81	13	dwg24857	33
804-029C	33	818-230C	155	826-521C83	13	dwg25681	141
804-055C	35, 39	818-240C	155	838-094C	155	dwg25682	119
804-067C	33	818-276C	155	838-243C	155	dwg26587	27
804-147C	9, 11	818-540C	59, 61, 63, 77, 85, 87, 97, 155	838-375C	155	dwg26706	143
804-158C	119, 141	818-543C	155	838-376C	155	dwg26707	121
804-216C	37, 41	818-552C	59, 61, 63, 77, 85, 87, 97, 155	838-423C	155	N/A	151
805-016C	35, 39, 41	818-556C	155	838-424C	155	U.125.0532.00	101, 105, 109, 111, 123, 133
805-045C	14, 17, 27, 29, 31	818-561C	155	838-586C	155	U.125.1301.00	105
805-083C	27, 29, 31	818-564C	155	838-588C	155	U.125.1303.00	101, 109, 111, 123, 127, 133
805-088C	33	818-680C	155	838-637C	155	U.125.2050.00	101, 105, 109, 111, 123, 127, 133
805-104C	33	818-681C	155	890-005C	14, 18	U.125.3003.00	101, 105, 109, 111, 123, 127, 133
805-105C	22, 25	818-830C	155	890-175C	43, 45, 47	U.125.5003.00	101, 105, 123, 133
805-246C	37	818-840C	155	890-183C	27, 29	U.125.5004.00	109, 111
805-309C	14, 17	818-862C	155	890-341C	43, 45, 47, 49	U.125.5005.00	127
807-023C	13, 17	818-902C	155	890-400C	43, 45	U.125.6003.00	101, 105, 123, 133
807-143C	13, 17	820-168C	9, 11, 157	890-506C	33	U.125.6004.00	127
810-060C	147	820-216C	157	890-766C	37	U.125.7003.00	101, 105, 123, 127, 133
810-107C	145, 147	820-249C	9, 11, 157	890-771C	35, 39, 41	U.125.7100.00	101, 105, 109, 111, 123, 127, 133
810-146C	149	822-020C	37	890-786C	27, 29	U.125.5005.00	127
810-149C	151	822-021C	37, 41	890-806C	27	U.125.6003.00	101, 105, 123, 133
810-362C	149, 151, 153	822-033C	37, 41	890-974C	33	U.125.6004.00	127
810-447C	145	822-034C	37, 41	A.709.500	139	U.125.7003.00	101, 105, 123, 127, 133
811-062C	153	822-091C	35, 39	A.712.500	109, 111	U.125.5005.00	127
811-063C	145	822-092C	35, 39, 41	dwg124858	37		
811-337C	153	826-112C	17, 85	dwg14067	61, 63, 87		
811-356C	153	826-117C	17, 87	dwg15426	153		
811-394C	145, 153	826-179C	17, 135, 137	dwg15427	145		
811-786C	145	826-179C81	17	dwg15503	137		
811-787C	153	826-179C83	17	dwg15504	115		
811-788C	153	826-180C	13, 113, 115	dwg15704	149, 151		
814-059C	35, 39	826-180C81	13	dwg17005	73, 95		
814-066C	35, 39	826-180C83	13	dwg18548	59, 85		
		826-244C	13, 61	dwg19604	113, 117, 135, 139		
		826-245C	13, 63	dwg21167	101, 123, 127		
		826-247C	13, 59	dwg21171	105, 133		
		826-320C	17, 127, 129	dwg21266	103, 129, 131		

*This Page Intentionally Left Blank*



Great Plains Manufacturing, Inc.

Corporate Office: P.O. Box 5060  
Salina, Kansas 67402-5060 USA

[www.landpride.com](http://www.landpride.com)

---